

for use with FOSC 400 D closure kits

1.0 General Product Information

The FOSC ACC Funnel Ribbon Kit provides the ribbon sized transportation tubes, distributor cap and funnel required to route ribbons from cables into individual transportation tubes for distribution to the splice organizer trays. This kit is used in conjunction with the FOSC ACC Cable Seal Kit to install ribbon cable ends in the FOSC 400 D closure.

2.0 Kit Components

The FOSC ACC Funnel Ribbon kit is composed of these materials:

- 6 transportation tubes
- 1 distributor cap
- 1 distributor funnel
- Installation instructions

3.0 Funnel Installation

Note: If core of cable is to be moisture-blocked, ignore these instructions and refer to the Cable Blocking Installation Instructions included with closures and cable seals that have cable blocking components.

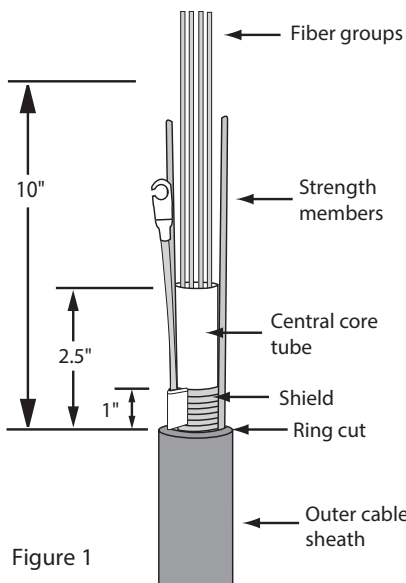


Figure 1

To install a distribution funnel and transportation tube on ribbon cable ends, follow these steps:

1. Clean the cable and remove the outer cable sheath (remove 70" for a FOSC 400 D5 closure, 48" for B2 closures). Remove the aramid and fiber yarns. Remove all but 1" of the metal shield (if present). (Fig. 1)
2. If dual strength members or multiple metallic strength members are present in the cable, cut each strength member 9" from the ring cut. If multiple dielectric strength members are present, cut them off at the sheath ring cut.
3. Cut the central core tube 2-1/2" from the ring cut(1-1/2" beyond the metal shield if present) and remove the excess tube. (Fig. 1)
4. Attach cable end(s) to the FOSC Work Stand with tie wraps.
5. If a metal shield is present in the cable, pry open the overlap and attach the bond clamp to the edge of the shield.
6. Clean the exposed ribbons and stack them in the order in which they appear in the central core tube. Temporarily wrap a piece of vinyl tape around the ribbons about 1" from the tube to help keep the ribbons stacked.

7. Slide the small end of the distributor funnel over the stacked ribbons, and slide it toward the central core tube. Make sure that the ribbons stay properly stacked. Slide the funnel over the central core tube (remove vinyl tape).
8. Place up to four ribbons in each hole of the distributor cap. Each distributor cap hole should contain groups of ribbons adjacent to each other in the cable. (Fig. 2)

Note : If the ribbons are not stacked properly, or if they are twisted, light signals may be attenuated.

9. Carefully slide the distributor cap down until it seats in the funnel.
10. Place the ribbons from each distributor cap hole into a transportation tube, and slide the tube down into the hole.

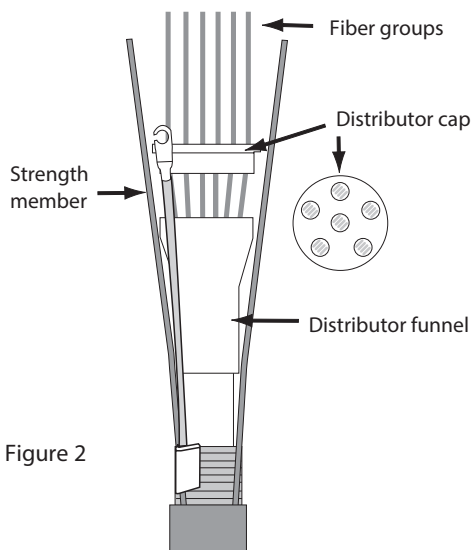


Figure 2

11. Slide the 4"-long black heat-shrinkable tube (included with cable termination components in cable seal and closure kits) over the transportation tubes and funnel, but under the strength members and bonding wire. The tube should be 1" from the ring cut. If a shield is present in the cable, the tube should be flush with the edge of the shield. (Fig. 3)

12. Place a tie wrap around the transportation tubes to hold them in place.

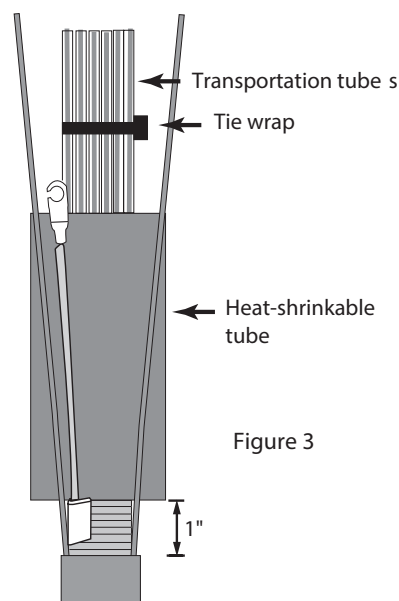


Figure 3

13. Begin shrinking the tube with the CV1981 hot-air gun on setting #6. Start at the end of the tube closest to the cable and work towards the transportation tubes. The seal is complete when the tube is completely shrunk around the transportation tubes. (Fig.4)

14. After the tube has cooled, remove the tie wrap from the transportation tubes.

15. If multiple metallic strength members are present, twist them into two groups to serve as dual strength members.

16. Wrap the bond clamp area and onto the cable with vinyl tape.

17. Proceed with cable installation instructions in appropriate cable seal kit.

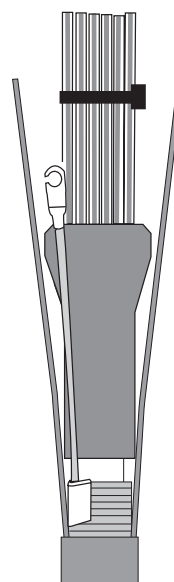


Figure 4

FOSC 400, Commscope logo and Commscope are trademarks.

The information given herein, including drawings, illustrations and schematics which are intended for illustration purposes only, is believed to be reliable. However, CommScope makes no warranties as to its accuracy or completeness and disclaims any liability in connection with its use. CommScope obligations shall only be as set forth in CommScope Standard Terms and Conditions of Sale for this product and in no case will CommScope be liable for any incidental, indirect or consequential damages arising out of the sale, resale, use or misuse of the product. Users of CommScope products should make their own evaluation to determine the suitability of each such product for the specific application.

Technical Assistance Center (TAC)
 Tel.: 800.830.5056
 Email: TAC.Americas@commscope.com
 www.commscope.com