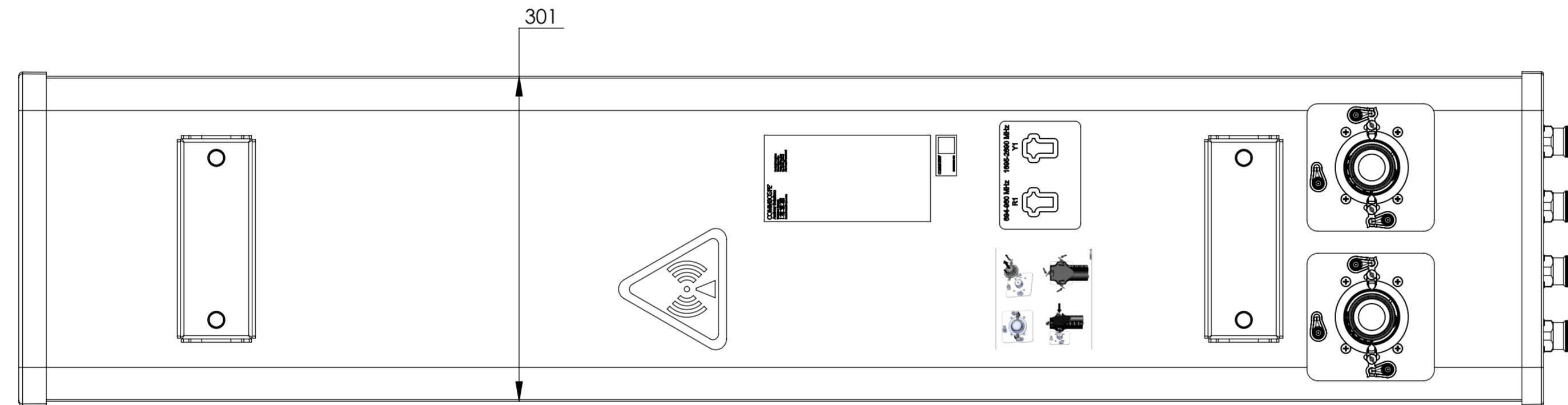
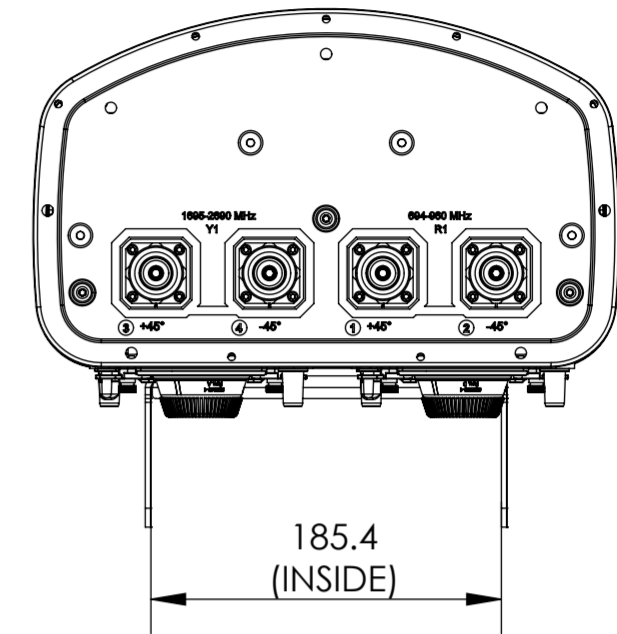
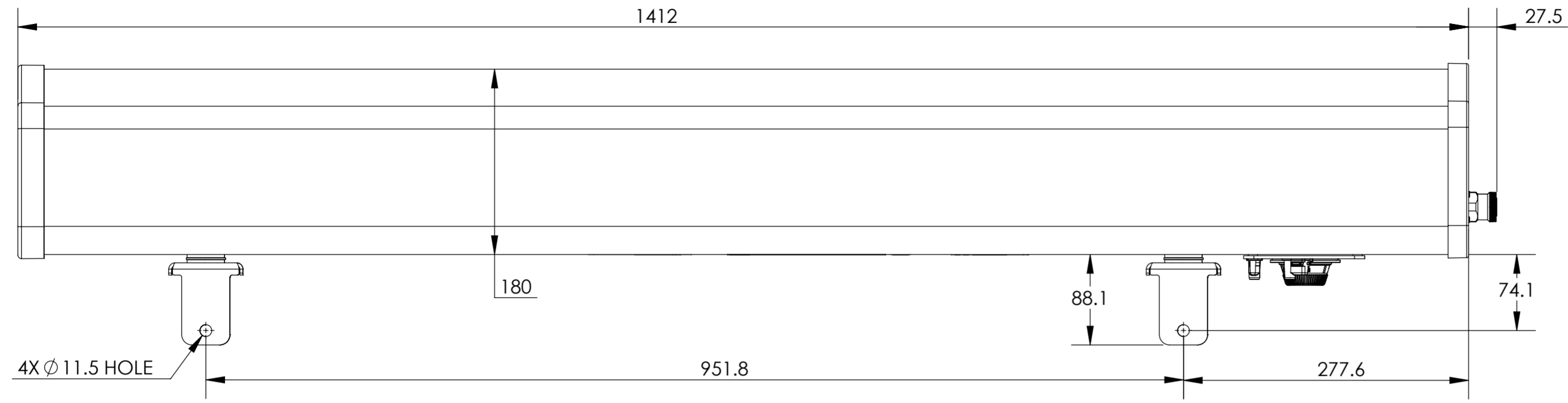


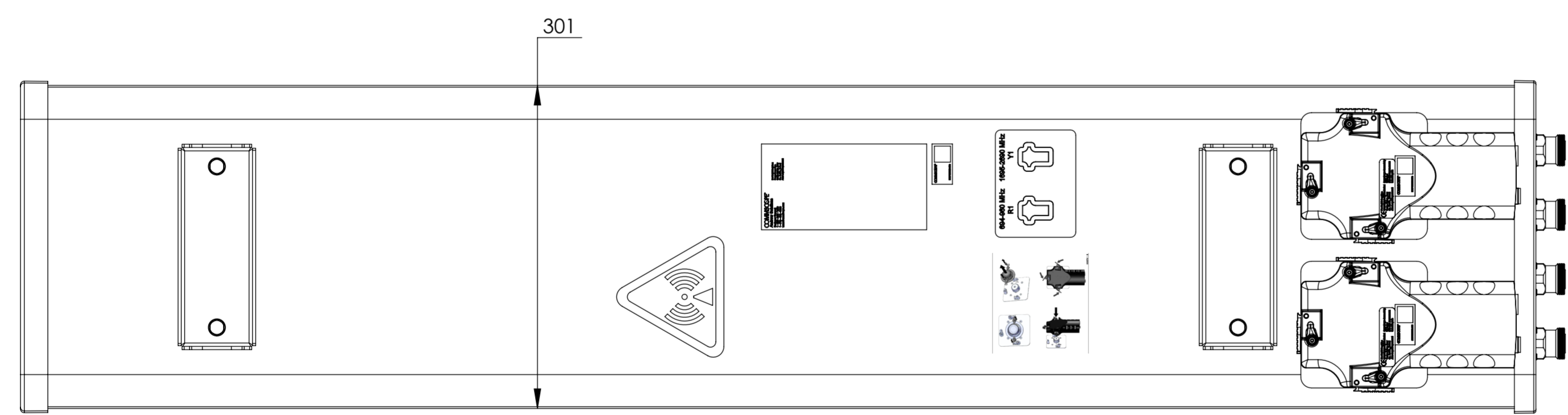
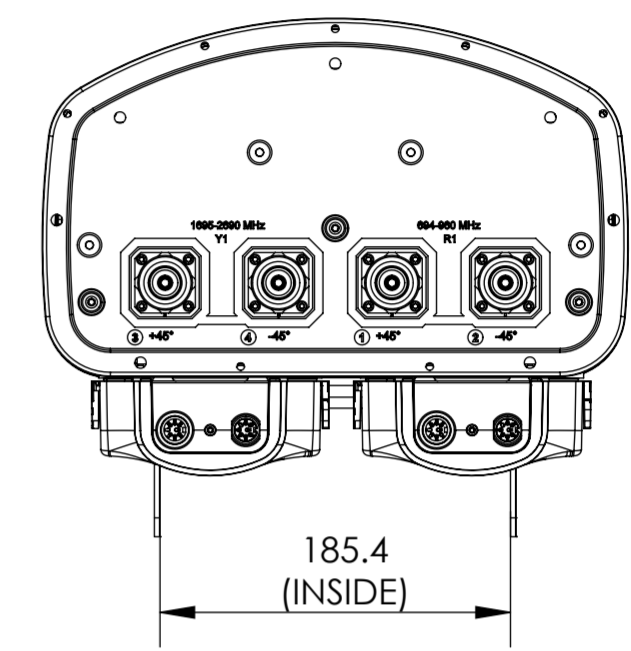
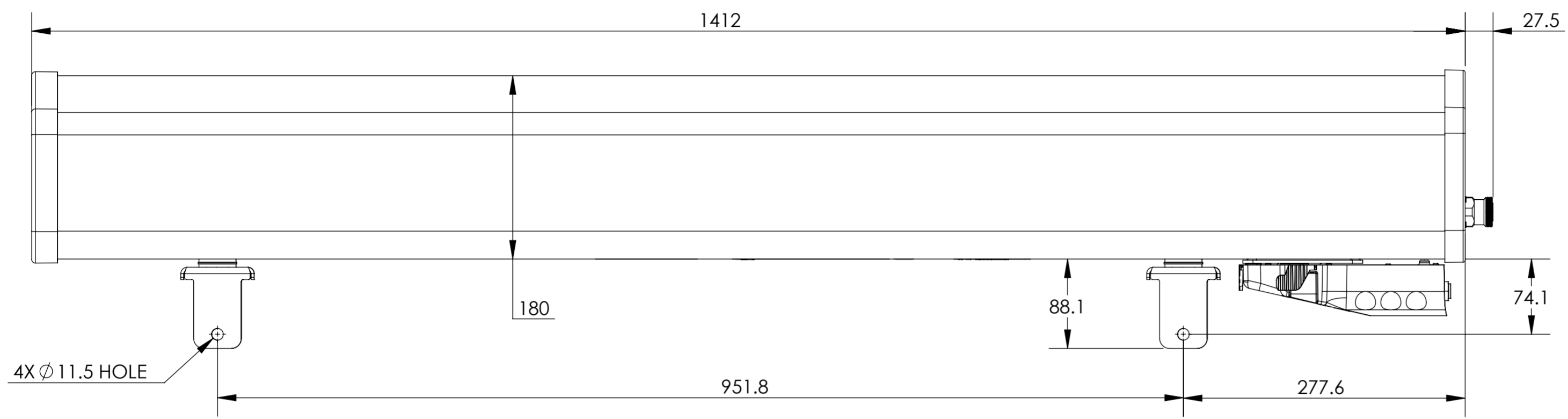
NOTES:

REVISION

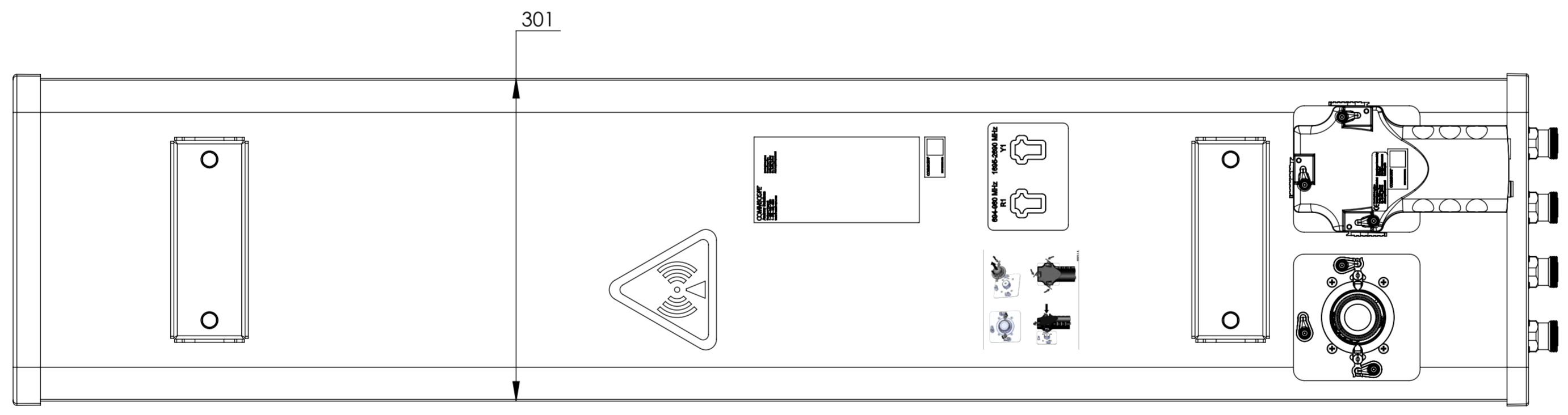
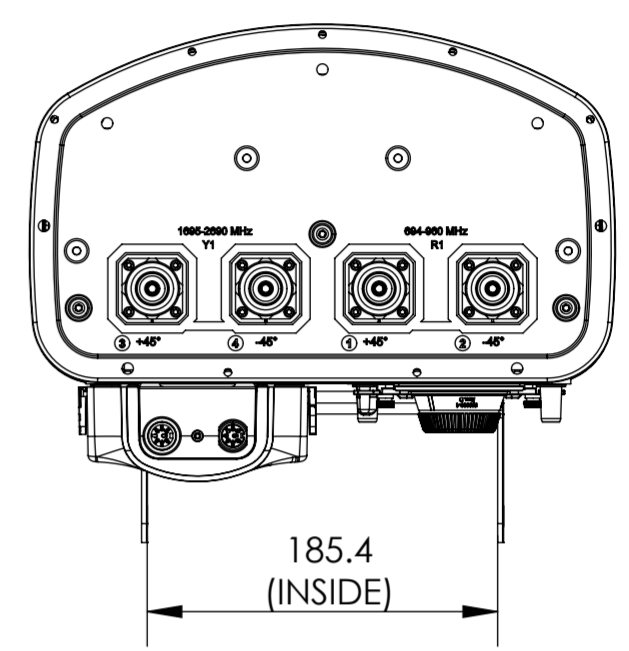
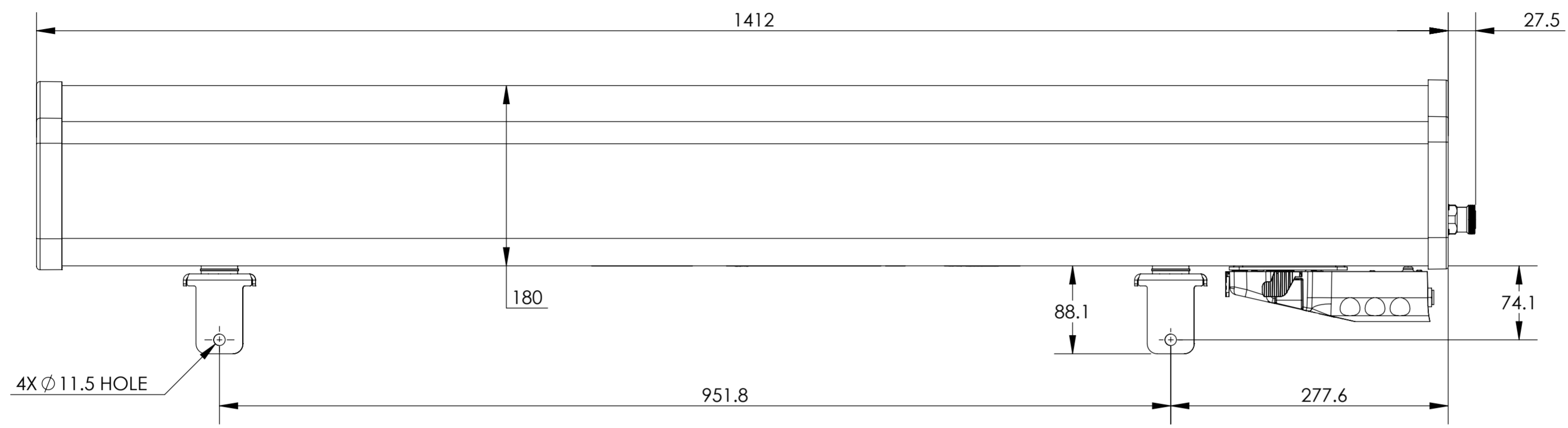
C



RV65A-M



RV65A-2X2



RV65A-1X2