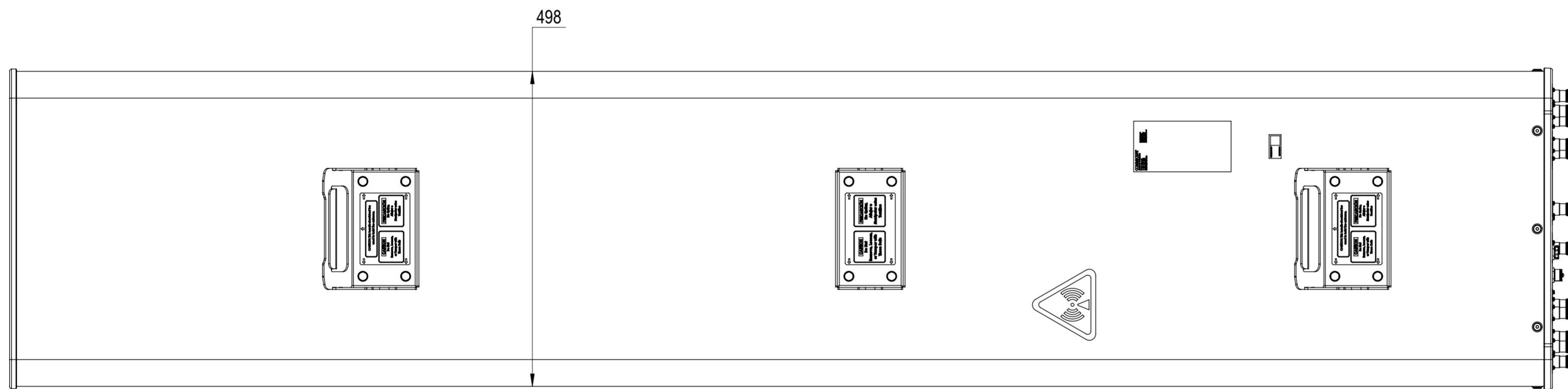
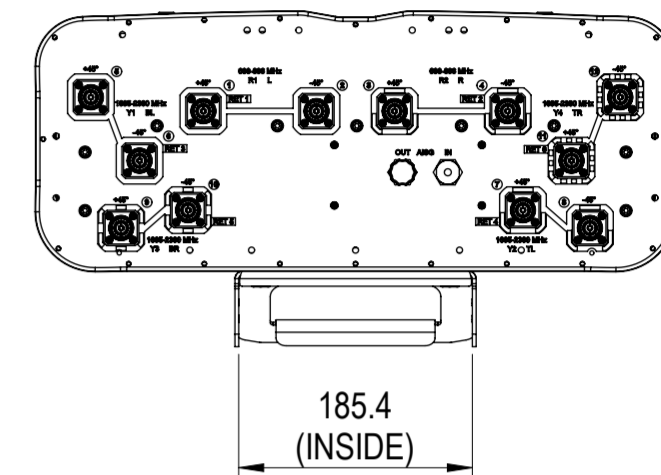
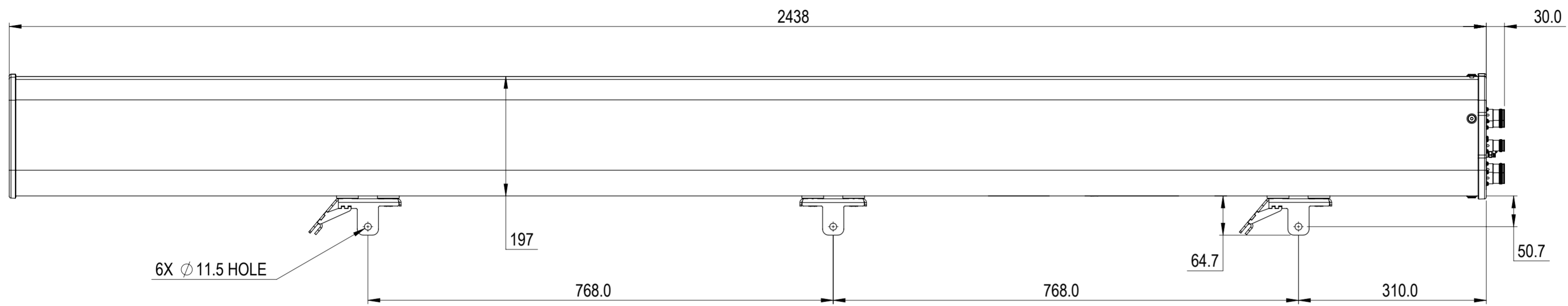


NOTES:

REVISION

C



NNH4-65C-R6-V1