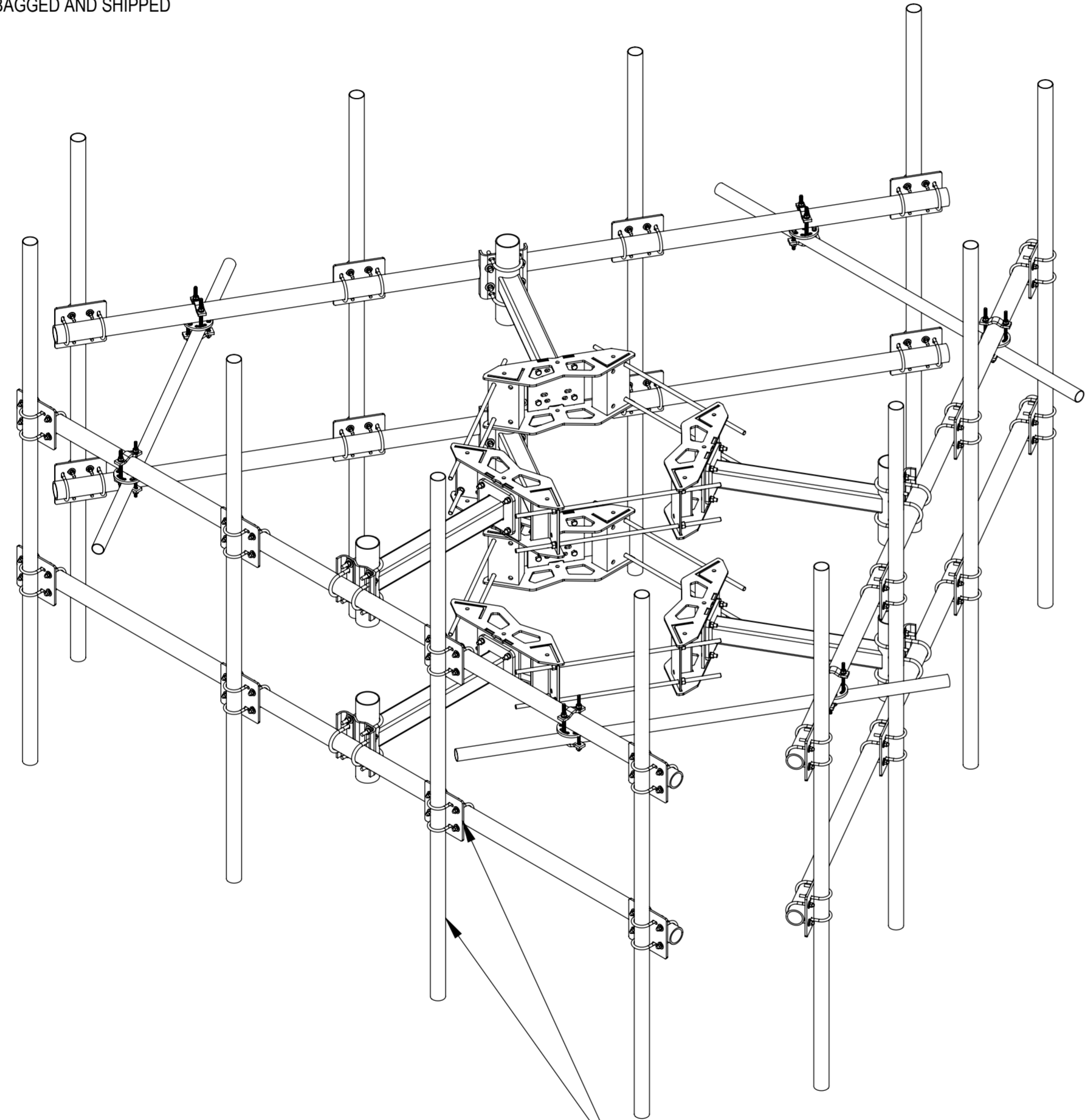


- 1.0 GENERAL
 1.1 ALL IMPERIAL DIMENSIONS ARE IN BRACKETS [X.XX]
 1.2 FOR PATENT INFO: <https://www.cs-pat.com>
- 2.0 DESIGN NOTES
 2.1 ANY HAZARDS OR OBSTRUCTIONS TO THE CLIMBING FACILITY AND SAFETY CLIMB MUST BE IDENTIFIED PRIOR TO INSTALLING THE APPURTENANCE. ADDITIONAL PRODUCTS MAY BE REQUIRED TO MAINTAIN THE INTEGRITY OF THE SAFETY CLIMB. DURING INSTALLATION, TEMPORARY AND/OR PERMANENT PRECAUTIONARY MEASURES SHOULD BE TAKEN TO PRESERVE THE CLIMBING FACILITY AND/OR SAFETY CLIMB.
- 3.0 MANUFACTURING/SPECIAL REQUIREMENTS
 3.1 BREAK SHARP EDGES AND DEBURR FOR SAFE HANDLING.
 3.2 TIGHTEN ALL BOLTS SECURING FLAT PLATES BY THE TURN-OF-NUT METHOD. TIGHTEN ALL U-BOLTS USING TURN-OF-NUT METHOD WITH ATTENTION TO LEAVE EQUAL DISTANCE AND EQUAL FORCE ON EACH LEG OF THE U-BOLT.
- 4.0 TEST
- 5.0 PACKAGING
 5.1 PACKAGING SHALL MEET COMMSCOPE REQUIREMENTS PER DOCUMENT IS-PL-3005
 5.2 PRINTED DOCUMENT TO BE PLACED INSIDE POLYBAG AND THEN IN SHIPPING CONTAINER
 5.3 EXTRA HARDWARE MAYBE SUPPLIED, BAGGED AND SHIPPED

REVISIONS			
REV.	DESCRIPTION	DATE	APPROVED
A	INITIAL RELEASE	JL1183 19JUL22	XK1001 40152107CMO

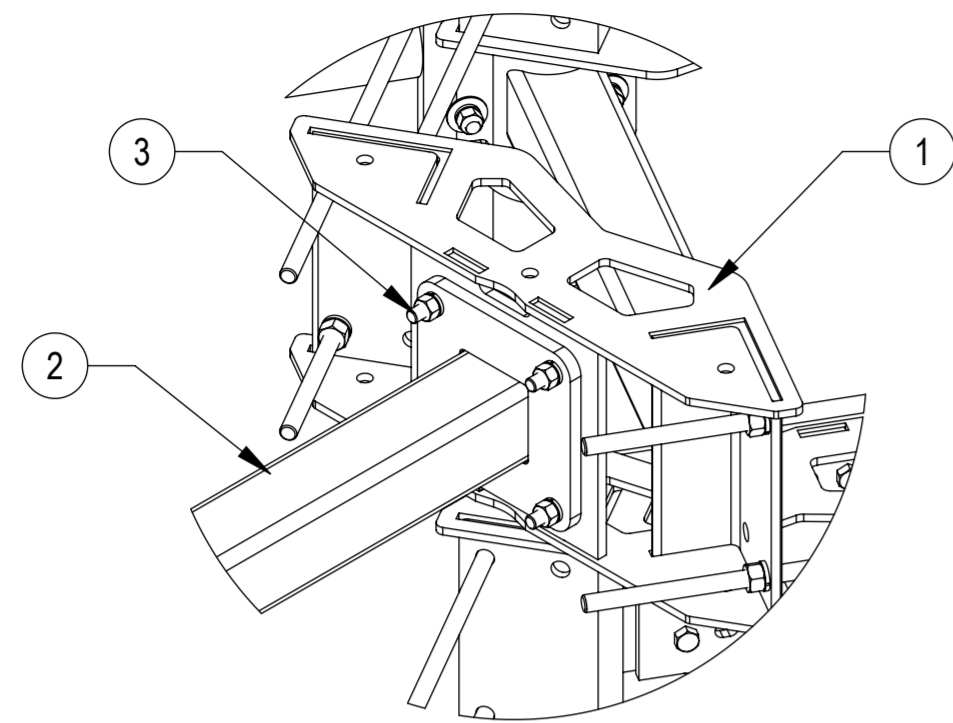


ANTENNA PIPES AND ITS CONNECTORS
 SHOWN FOR REFERENCE
 SOLD SEPARATELY

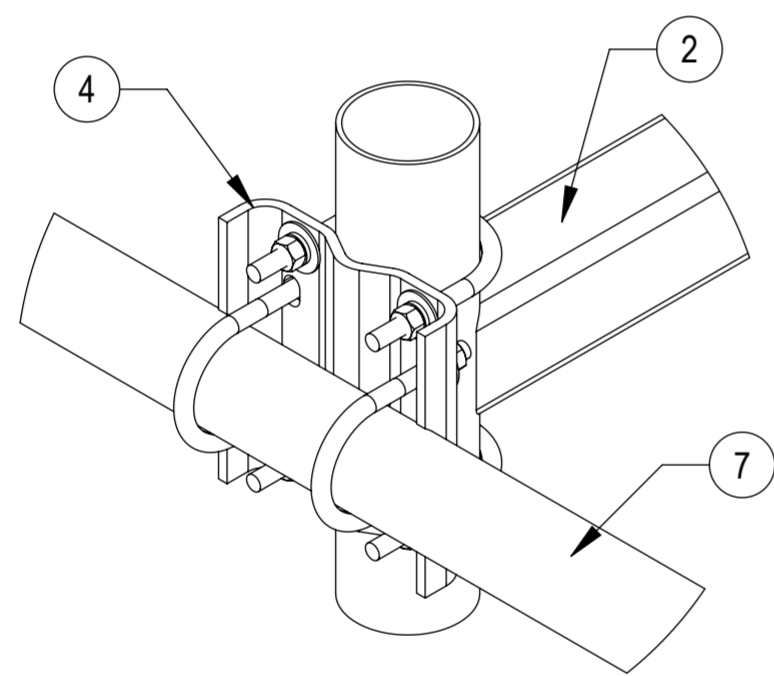
COMMSCOPE, INC. OF NORTH CAROLINA

TOLERANCES		SAP MATERIAL MASTER	
0 PLACE X[.X] ± 6[0.25]	2 PLACE .XX[.XXX] ± 1.50[0.060]	MC-KD14M-B	
1 PLACE .X[.XX] ± 3.0[0.12]	ANGLES ± 2°		
FINISH		MATERIAL	
<small>UNLESS OTHERWISE SPECIFIED DIMENSIONS ARE IN MILLIMETERS INTERPRET PER ISO STANDARDS HANDBOOK TECHNICAL DRAWINGS VOLUMES 1 & 2, THIRD EDITION (2002)</small>		NAME	DATE
		CE JL1183	19JUL22
		RW YMENG	08/11/2022
		AD JL1183	08/11/2022
		RE JL1183	08/11/2022
ECN 40152107CMO		TITLE	
		MONOPOLE, DBL T-ARM, 14' FACE, NO AP, NP XP	
		SCALE	DOCUMENT NO.
		1:25	MC-KD14M-B
SIZE	Auth Group	INSL	MODEL
A2			VERSION
			STATUS
			REVISION
			A
			VERSION
			00
			STATUS
			RE
			REVISION
			A
			SHEET
			1 OF 3

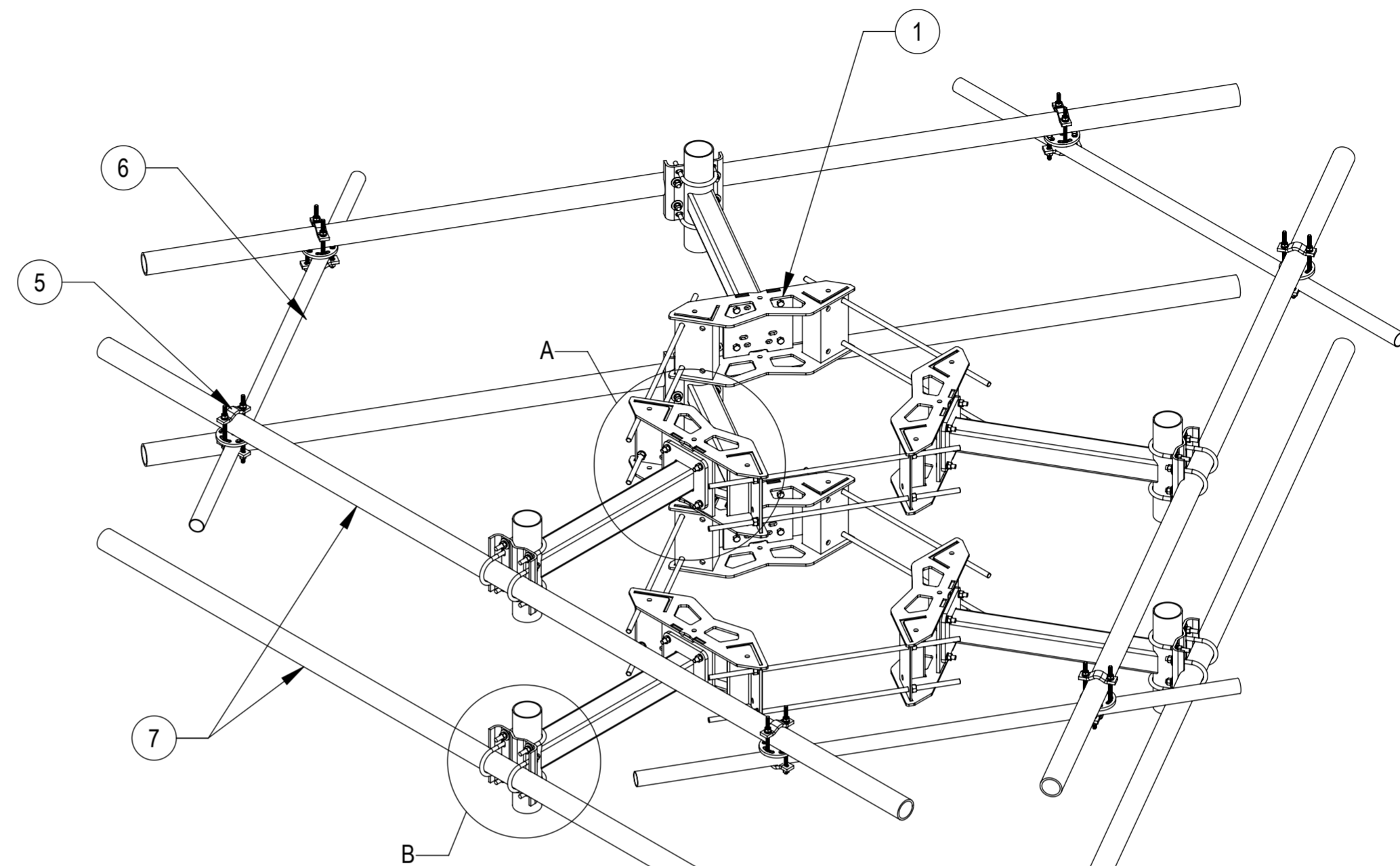
DENSITY	1923.46	lbs/in³
MASS	8431.76	lbs
VOLUME	55216.9	in³
SURFACE AREA		
DENSITY	874298.384	g/mm³
MASS	138180260.337	grams
VOLUME	35623807.517	mm³
SURFACE AREA		
HEIGHT	1372[54.0]	
LENGTH	4420[174.0]	
WIDTH	4420[174.0]	



DETAIL A
SCALE 1 : 8

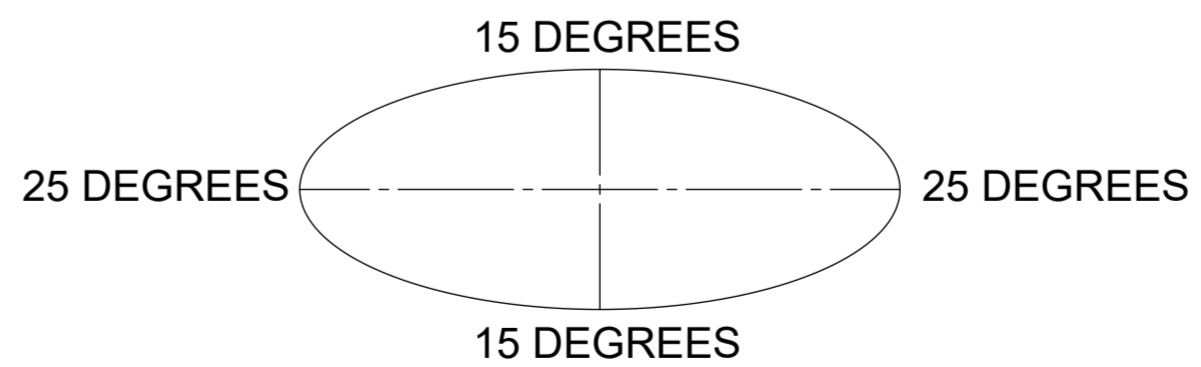


DETAIL B
SCALE 1 : 6



ALLOWABLE TIEBACK ANGLE

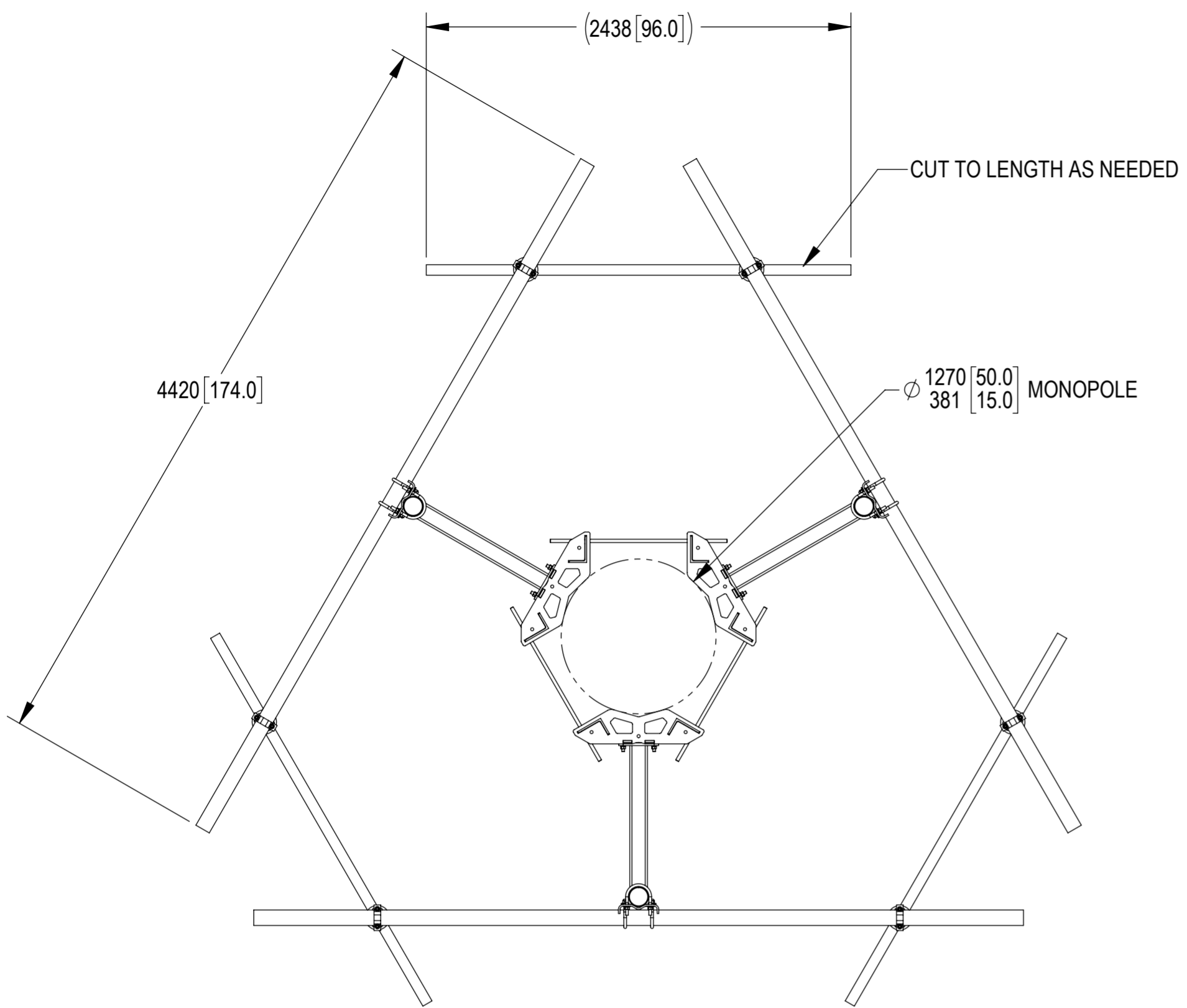
+15 DEGREES VERTICAL
±25 DEGREES HORIZONTAL



COMPONENT PART NUMBERS PROVIDED FOR ASSEMBLY PURPOSES;
INDIVIDUAL COMPONENTS MAY BE SHIPPED AS PARTS WITHIN AN INCLUDED KIT.

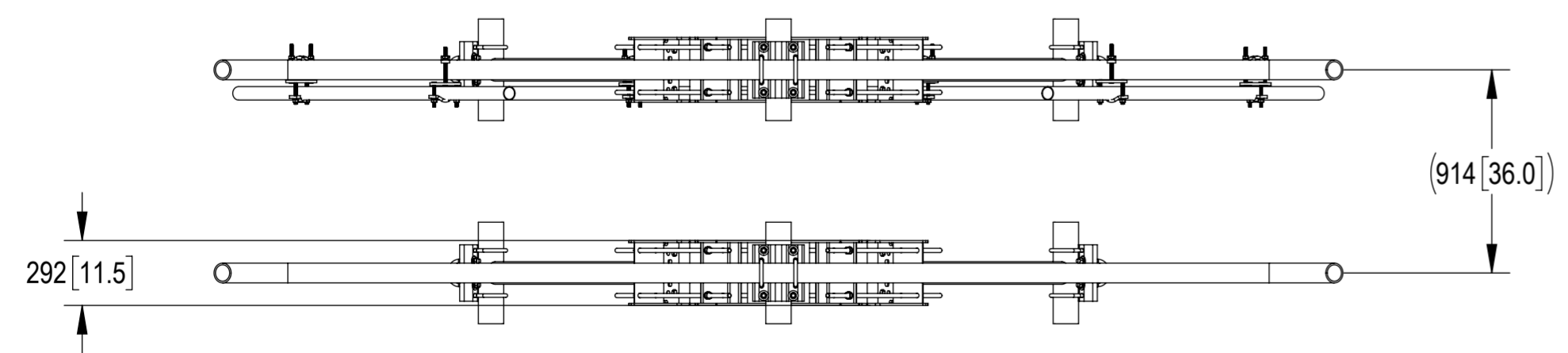
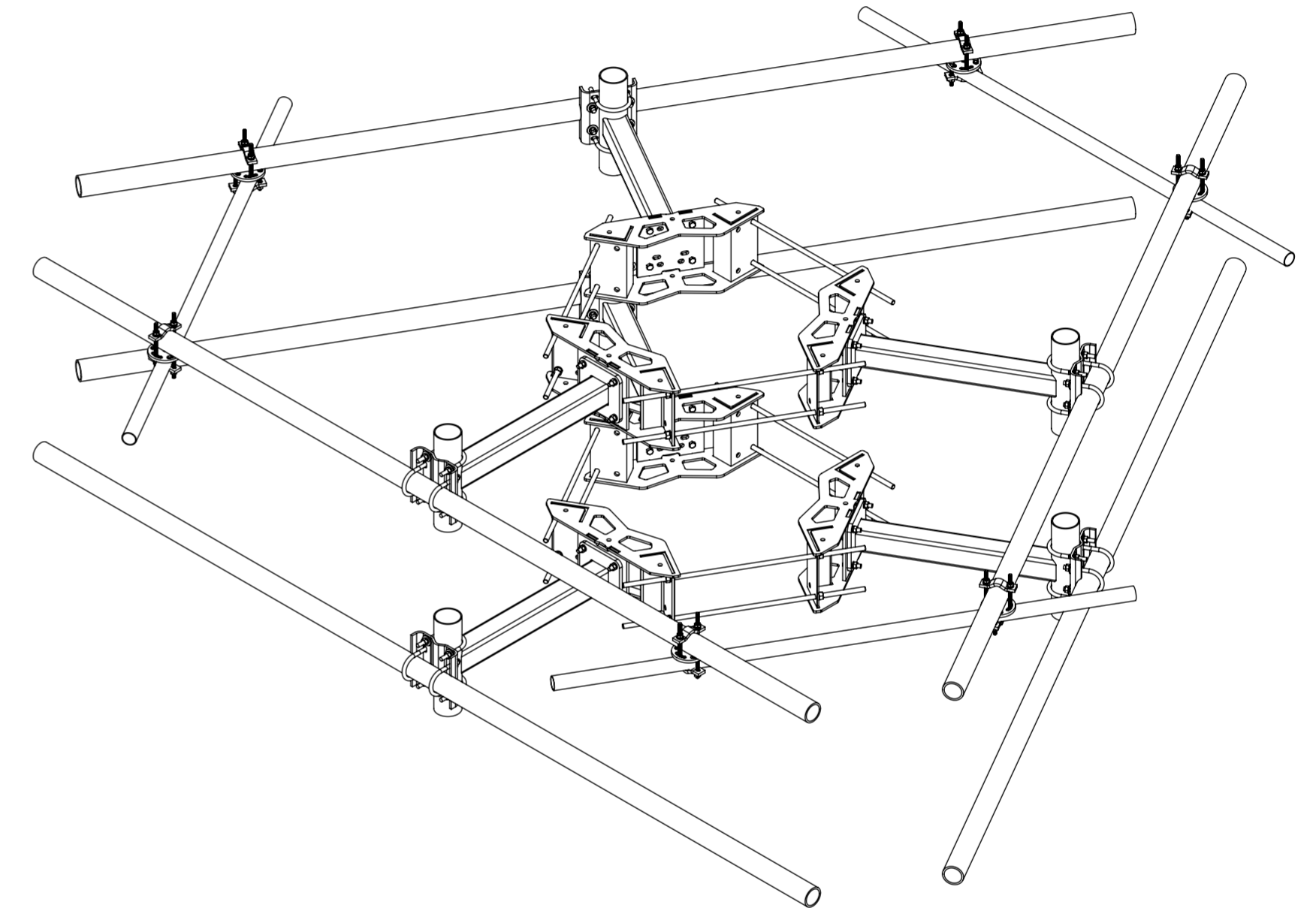
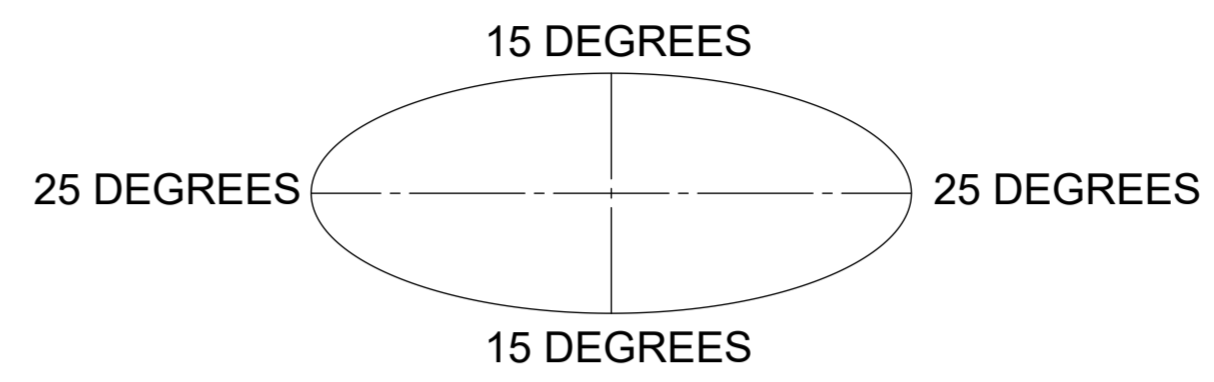
ITEM NO.	PART NUMBER	DESCRIPTION	QTY.	NOTE NO.
1	MC-RM1550-3	15" - 50" OD RINGMOUNT	2	
2	MT19701	36" SINGLE SUPPORT ARM	6	
3	GB-05245	5/8" X 2-1/2" GALV BOLT KIT	24	
4	MT216NSH	12" CENTER BRACKET	6	
5	XP-R	CROSSOVER PLATE, ROUND, UP TO 3.5" OD	6	
6	MT-651-96	2.375" OD X 96" PIPE	3	
7	MT547174300	PIPE,PLAIN-END GALV 3-1/2" X 174"	6	

COMMSCOPE, INC. OF NORTH CAROLINA				
TITLE MONOPOLE, DBL T-ARM, 14' FACE, NO AP, NP XP				
SIZE A2	SCALE 1:25	DOCUMENT NO. MC-KD14M-B		
		DRAWING		SHEET
		VERSION	STATUS	REVISION
		00	RE	A
				SHEET 2 OF 3



ALLOWABLE TIEBACK ANGLE

± 15 DEGREES VERTICAL
± 25 DEGREES HORIZONTAL



TOP
↑
↓
BOTTOM

COMMSCOPE, INC. OF NORTH CAROLINA				
TITLE MONOPOLE, DBL T-ARM, 14' FACE, NO AP, NP XP				
SIZE A2	SCALE 1:25	DOCUMENT NO. MC-KD14M-B		
		DRAWING		SHEET
		VERSION	STATUS	REVISION
		00	RE	A
				SHEET 3 OF 3