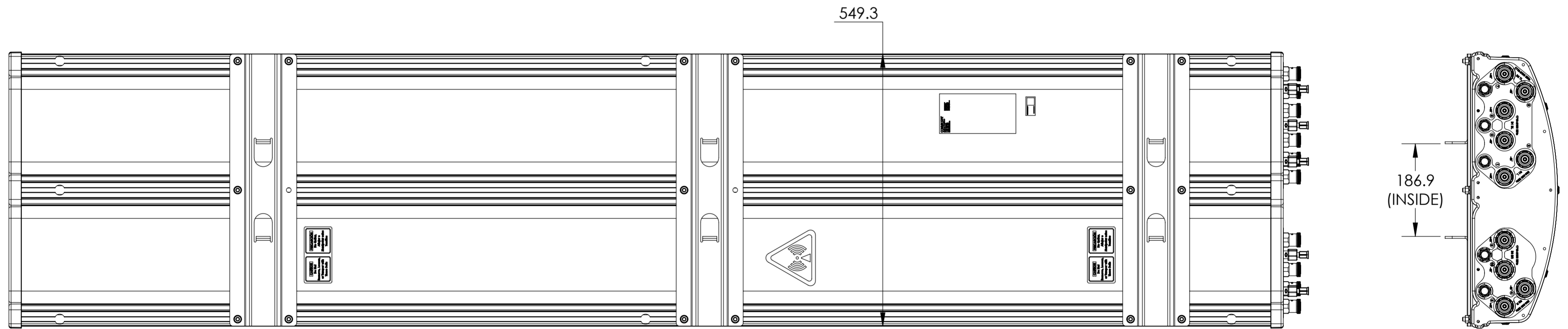
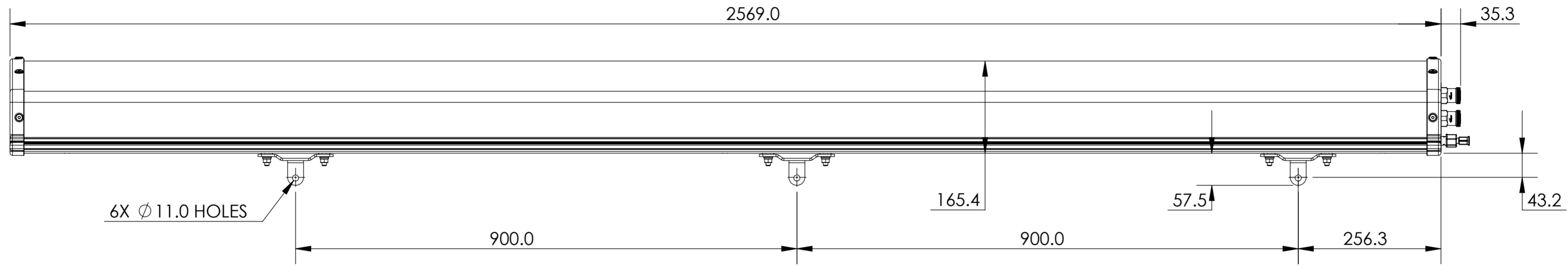


REVISION
F



MBLLHHH-65C-VTM

4

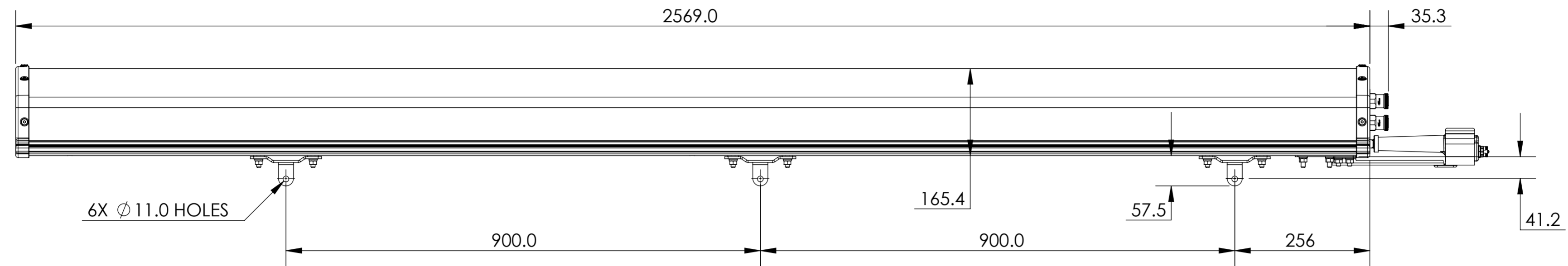
3

2

1

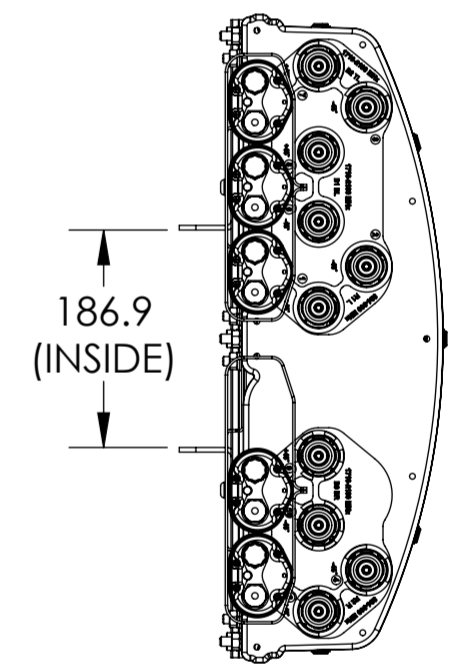
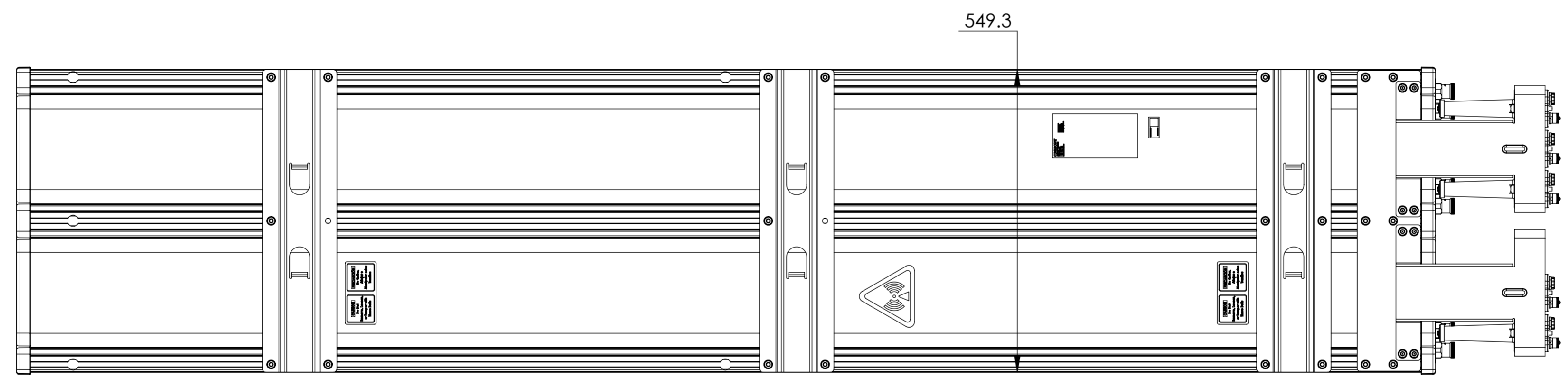
D

D



C

C



B

B

MBLLHHH-65C-R2M
 MBLLHHH-65C-A5M

A

A

4

3

2

1