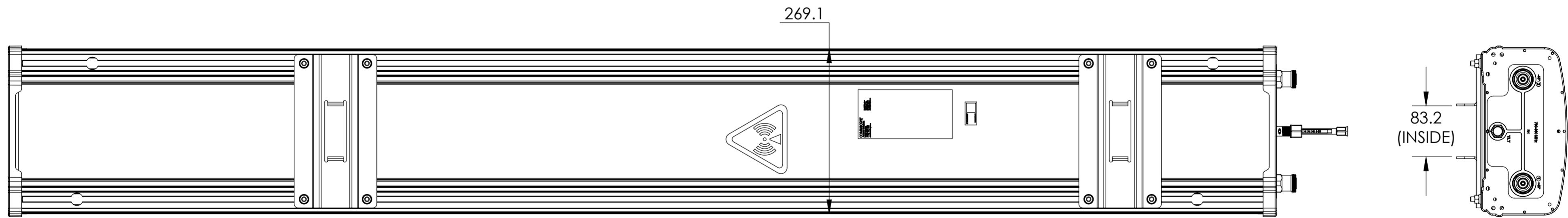
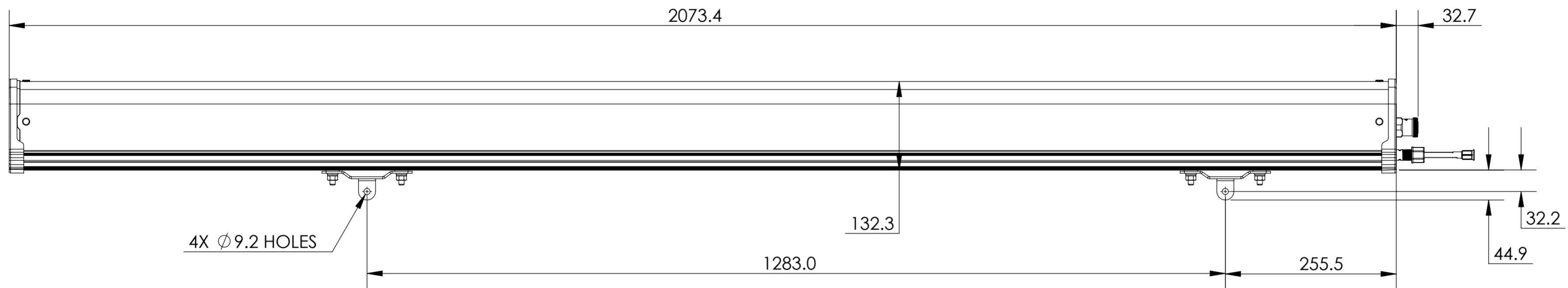


REVISION
E



LDX-6515DS-VTM

4

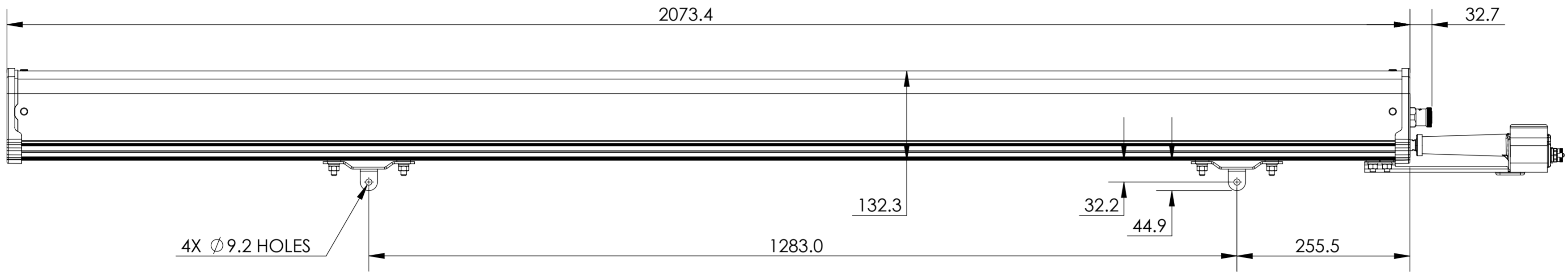
3

2

1

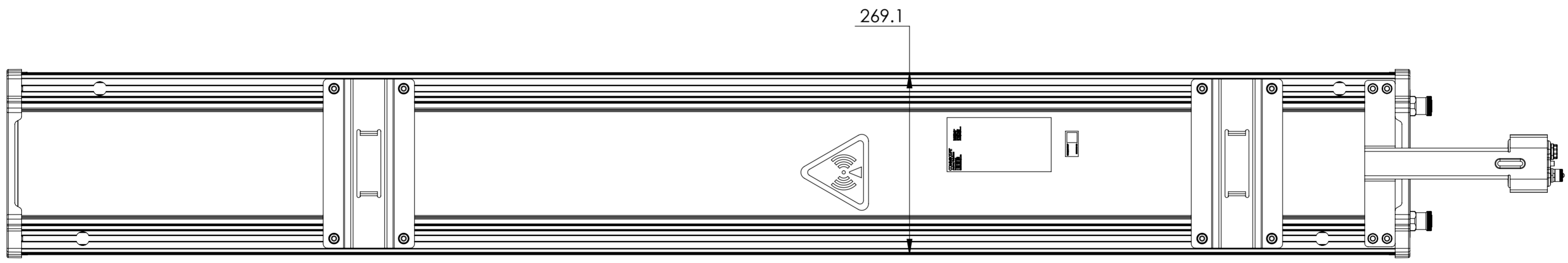
D

D



C

C



B

B

LDX-6515DS-R2M
 LDX-6515DS-A1M

A

A

4

3

2

1