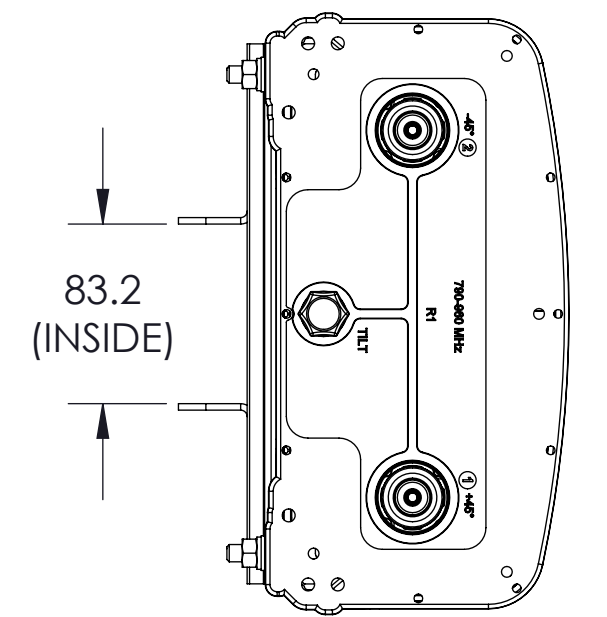
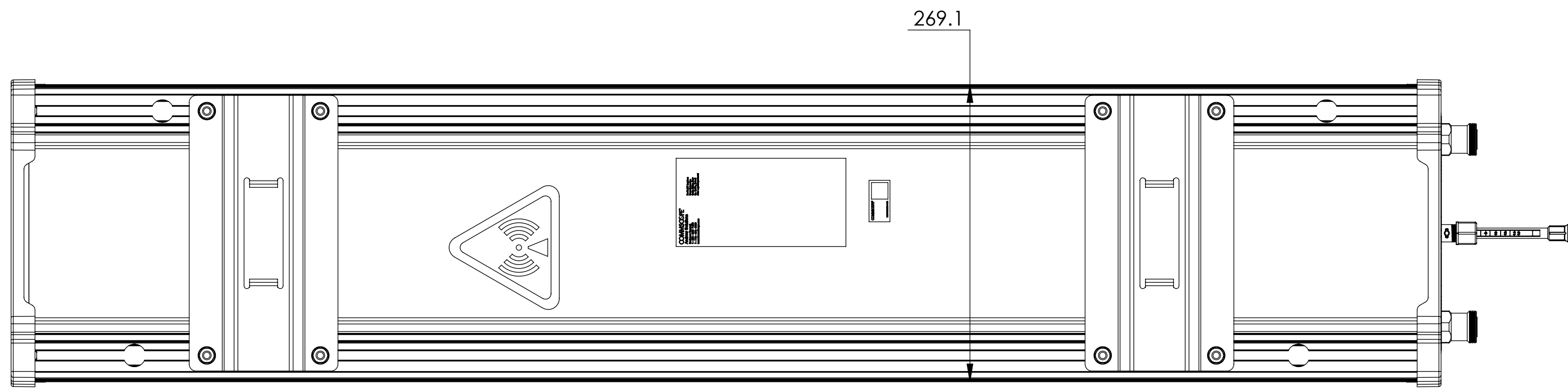
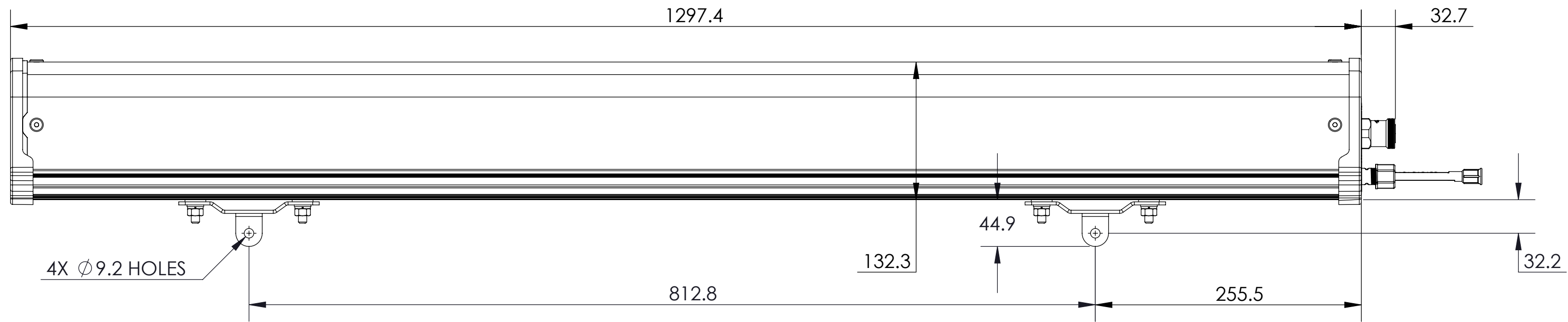
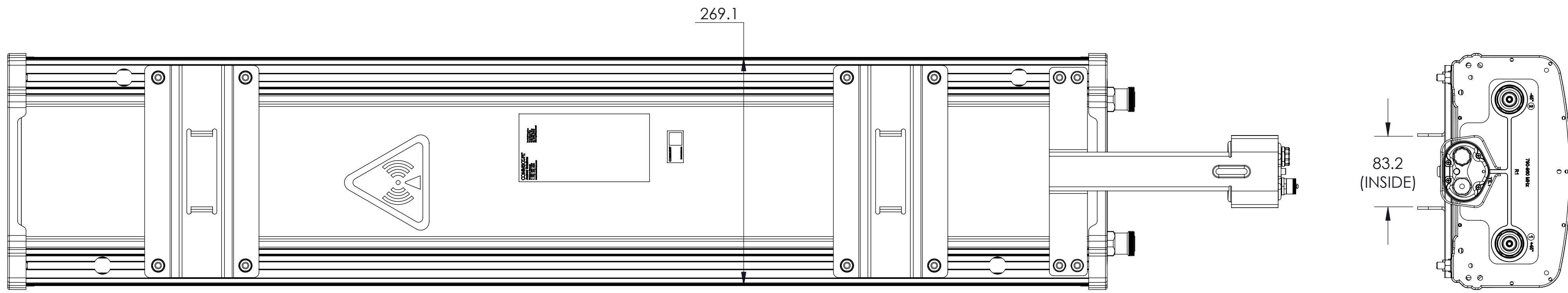
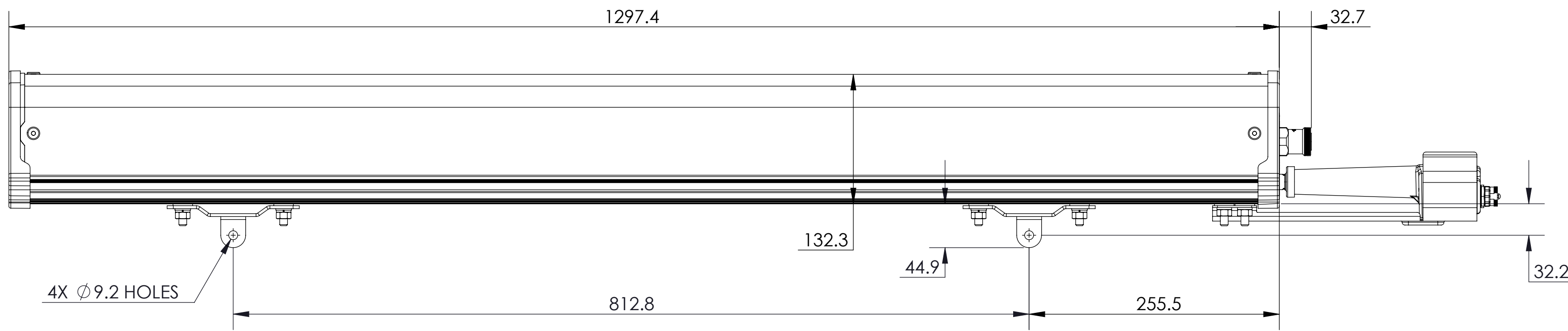


REVISION
G



LDX-6513DS-VTM



LDX-6513DS-R2M
LDX-6513DS-A1M