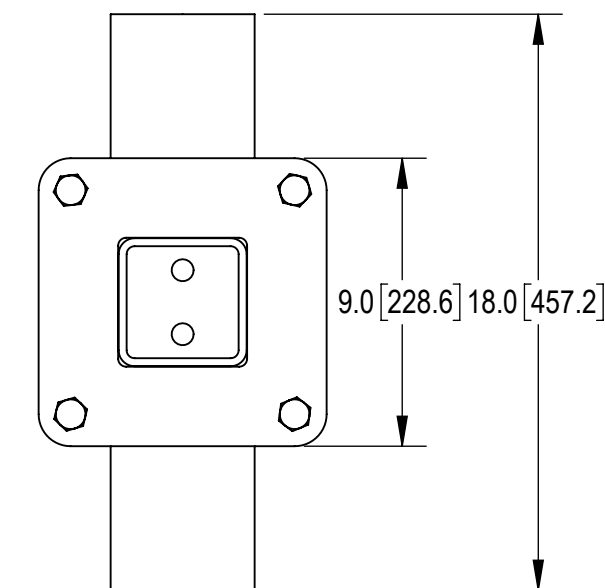
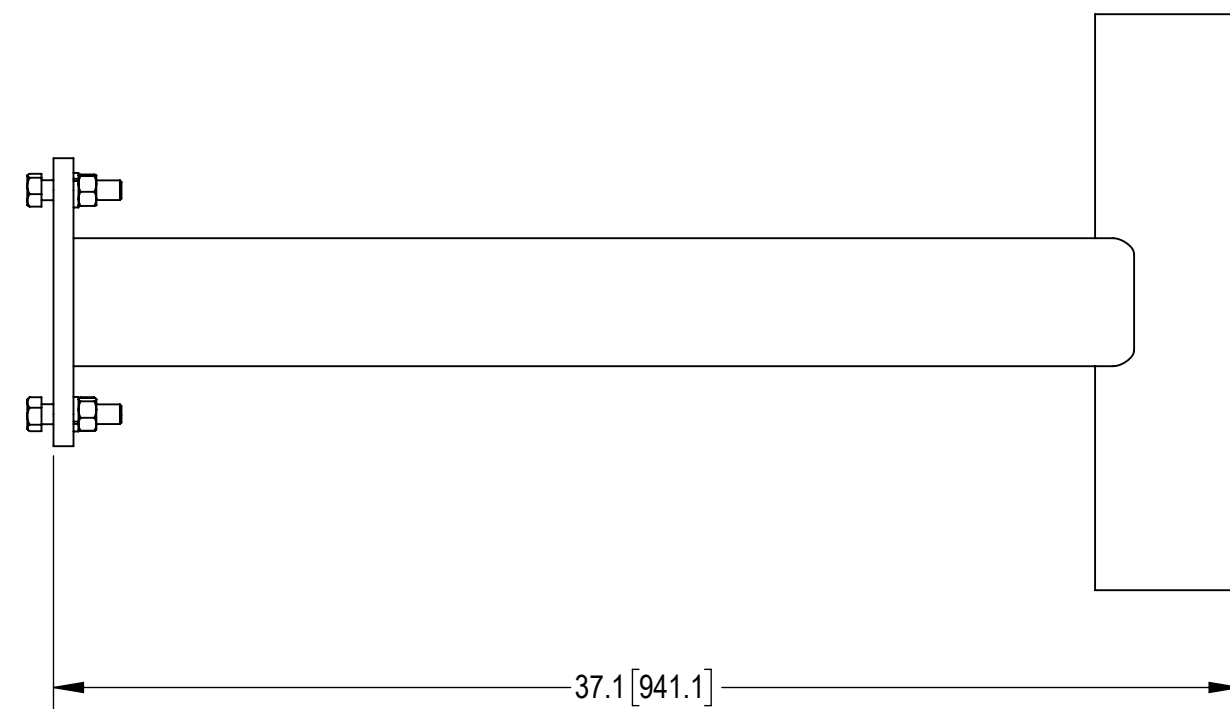
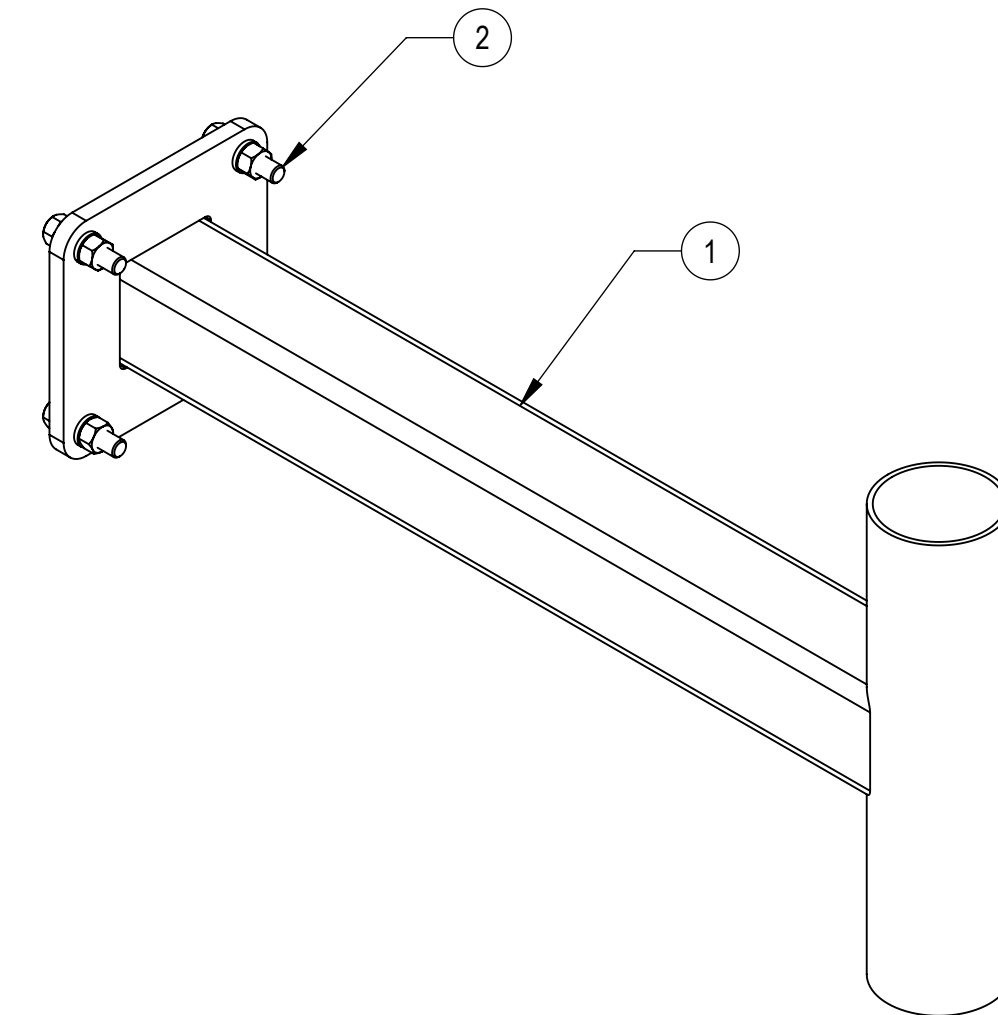
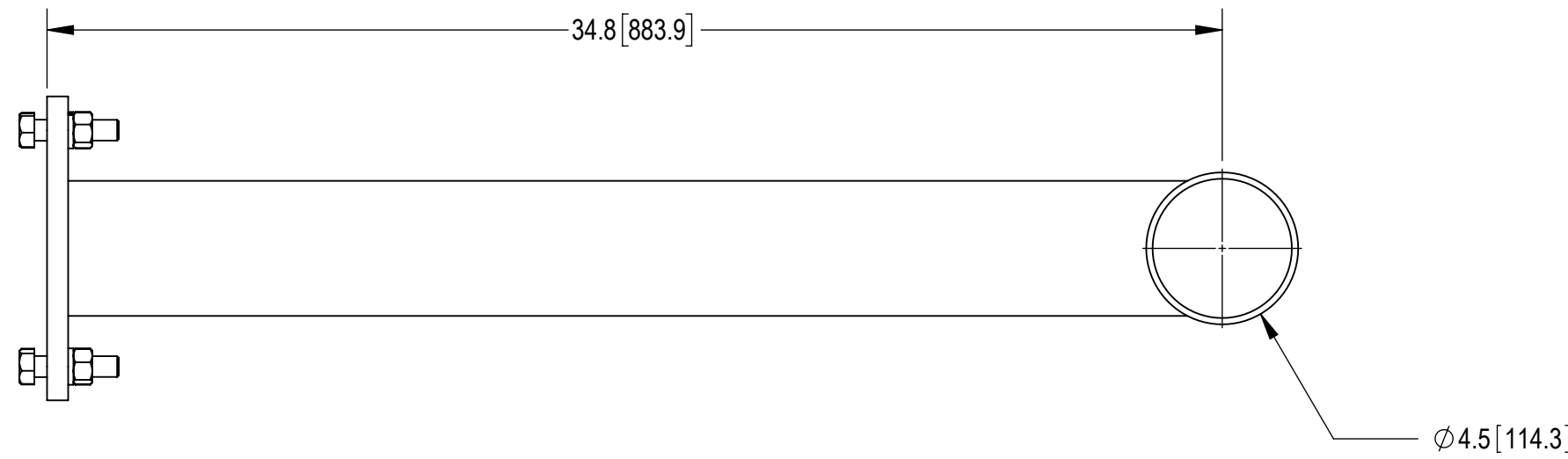


- 1.0 GENERAL NOTES
 - 1.1 ALL METRIC DIMENSIONS ARE IN BRACKETS [X.X]
 - 1.2 FOR PATENT INFO: <https://www.cs-pat.com>
- 2.0 DESIGN NOTES
- 3.0 MANUFACTURING/SPECIAL REQUIREMENTS
 - 3.1 TIGHTEN ALL BOLTS SECURING FLAT PLATES BY THE TURN-OF-NUT METHOD. TIGHTEN ALL U-BOLTS USING TURN-OF-NUT METHOD WITH ATTENTION TO LEAVE EQUAL DISTANCE AND EQUAL FORCE ON EACH LEG OF THE U-BOLT.
- 4.0 TEST
- 5.0 PACKAGING
 - 5.1 PACKAGING SHALL MEET COMMSCOPE REQUIREMENTS PER DOCUMENT IS-PL-3005
 - 5.2 PRINTED DOCUMENT TO BE PLACED INSIDE POLYBAG AND THEN IN SHIPPING CONTAINER
 - 5.3 EXTRA HARDWARE MAY BE SUPPLIED, BAGGED AND SHIPPED

REVISIONS			
REV.	DESCRIPTION	DATE	APPROVED
A	INITIAL RELEASE	DI 17JAN05	TP
B	UPDATE TOLERANCES	MSM 21FEB08	TP
C	REDESIGN WIHT ROUND EXTENSION PIPE	OCG 16OCT10	TP
D	UPDATED DRAWING TO NEW FORMAT	LS1146 09OCT24	BCROSS 40206191CMO



COMMSCOPE, INC. OF NORTH CAROLINA

TOLERANCES		SAP MATERIAL MASTER	
1 PLACE .X[X] ± 0.12[3.0]	3 PLACE .XXX[X] ± 0.030[0.8]	MT-197	
2 PLACE .XX[X] ± 0.06[1.5]	ANGLES ± 2°		
FINISH		MATERIAL	
UNLESS OTHERWISE SPECIFIED DIMENSIONS ARE IN INCHES INTERPRET PER ANSI Y 14.5M-1994	NAME	DATE	TITLE
	CE DI	17JAN05	SINGLE PIPE SUPPORT ARM 36" STANDOFF
	RW LS1146	10/10/2024	
	AD YMENG	10/11/2024	
	RE YMENG	10/11/2024	
ECN 40206191CMO			
SCALE	DOCUMENT NO.		
1:1	MT-197		
SIZE	Auth Group	INSL	MODEL
C			VERSION STATUS REVISION
			03 RE F
			VERSION STATUS REVISION
			01 RE D
			SHEET 1 OF 1

COMPONENT PART NUMBERS PROVIDED FOR ASSEMBLY PURPOSES;
INDIVIDUAL COMPONENTS MAY BE SHIPPED AS PARTS WITHIN AN INCLUDED KIT.

ITEM	PART NO.	DESCRIPTION	QTY.	WEIGHT	NOTE NO.
1	MT19701	36" SINGLE SUPPORT ARM	1	57.29 LBS	
2	GB-0524A	5/8" X 2-1/2" GALV BOLT KIT (A325)	4	0.30 LBS	