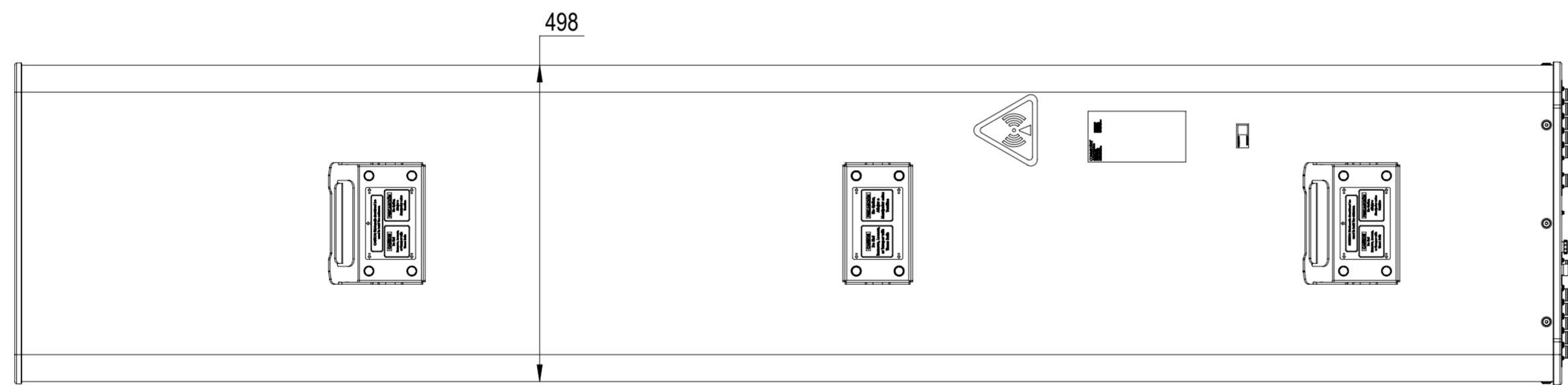
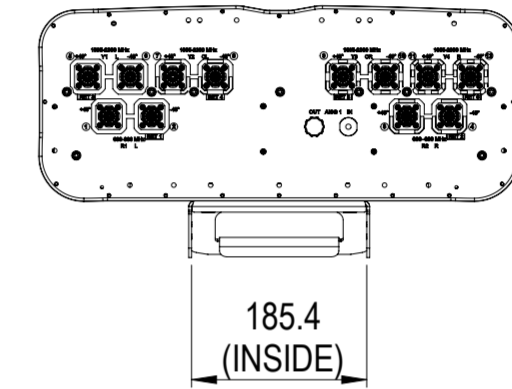
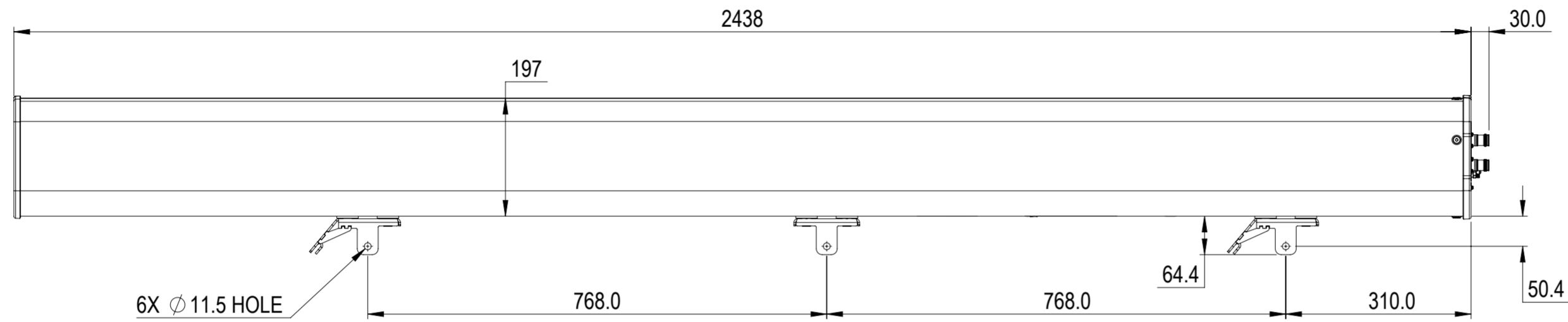


| |
|----------|
| REVISION |
| A |



NNH4-65C-R6H4