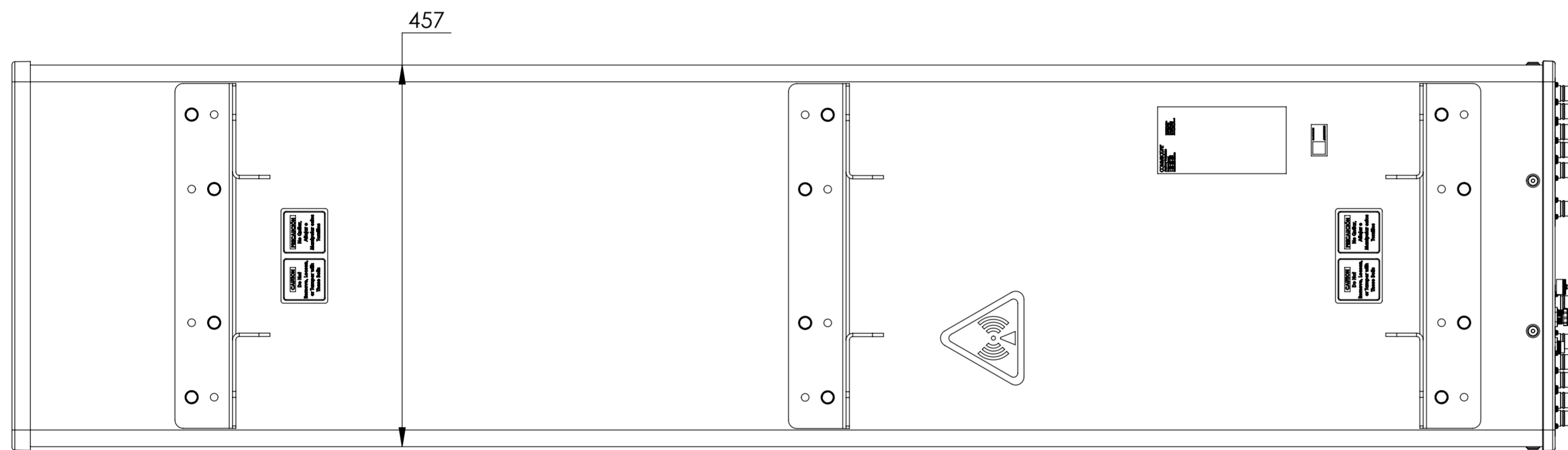
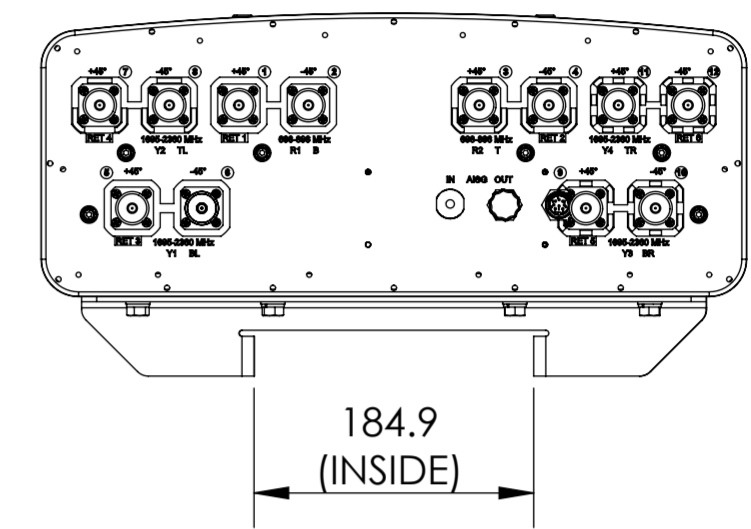
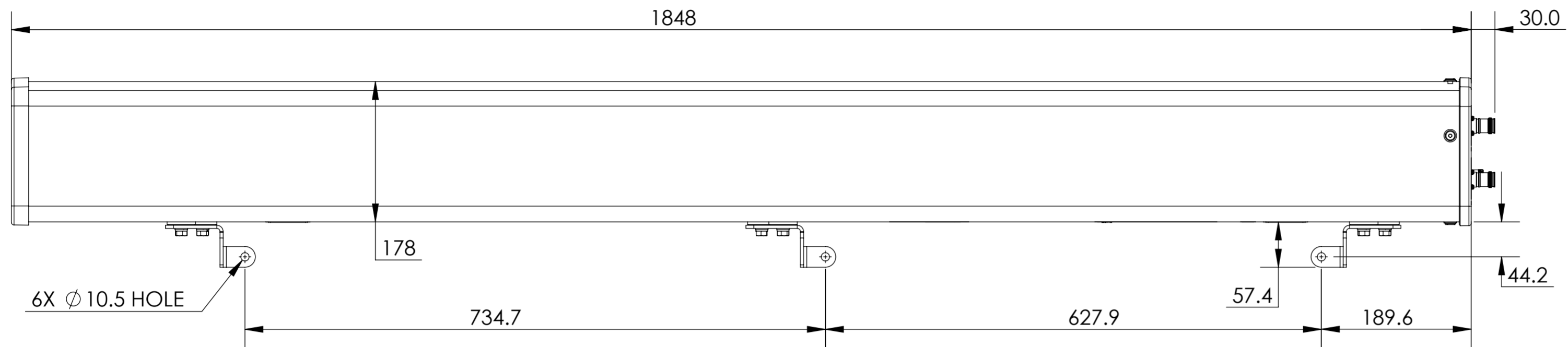


REVISION
B



NNH4-45B-R6-V1