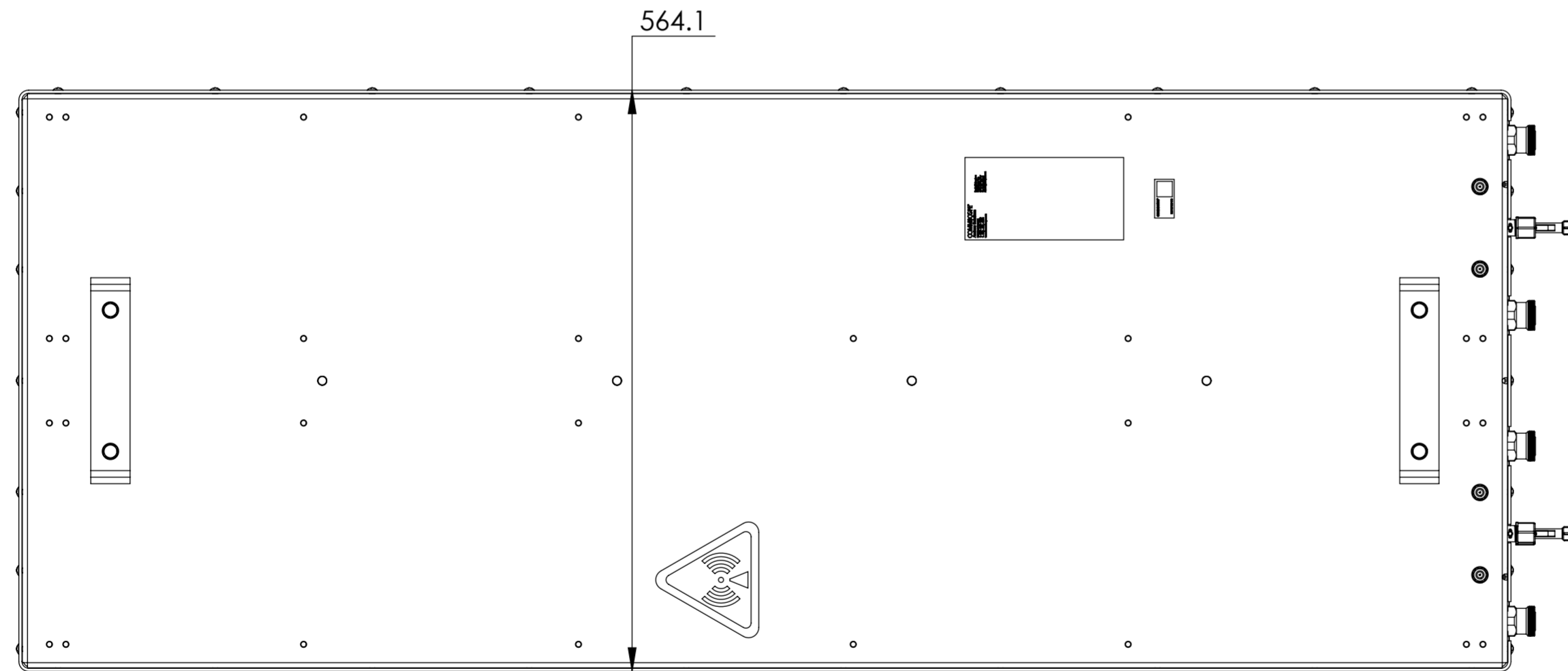
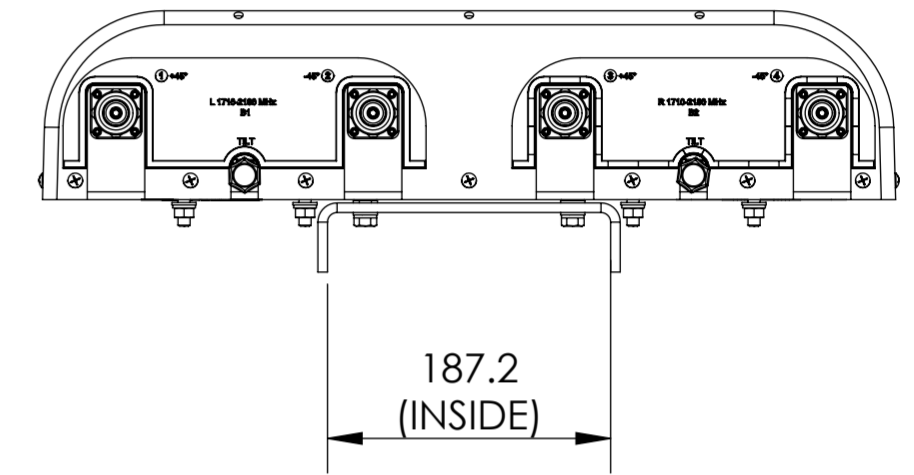
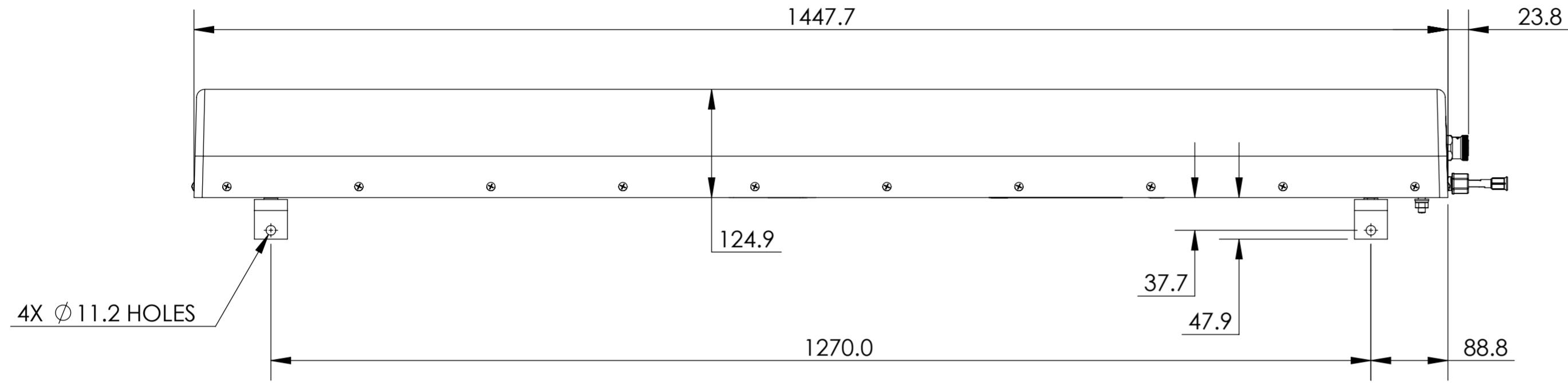


NOTES:

REVISION

H



HBXX-3319DS-VTM

THIRD ANGLE PROJECTION

THIRD ANGLE PROJECTION

4

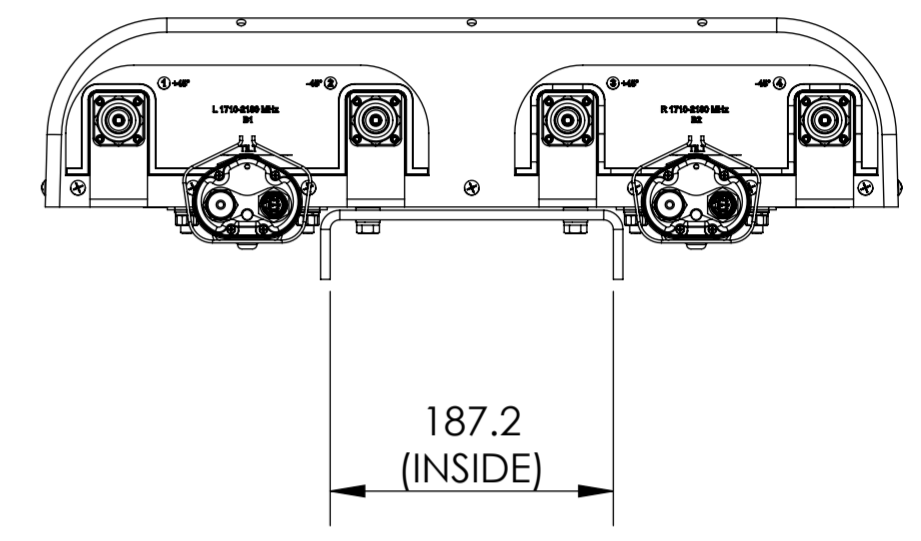
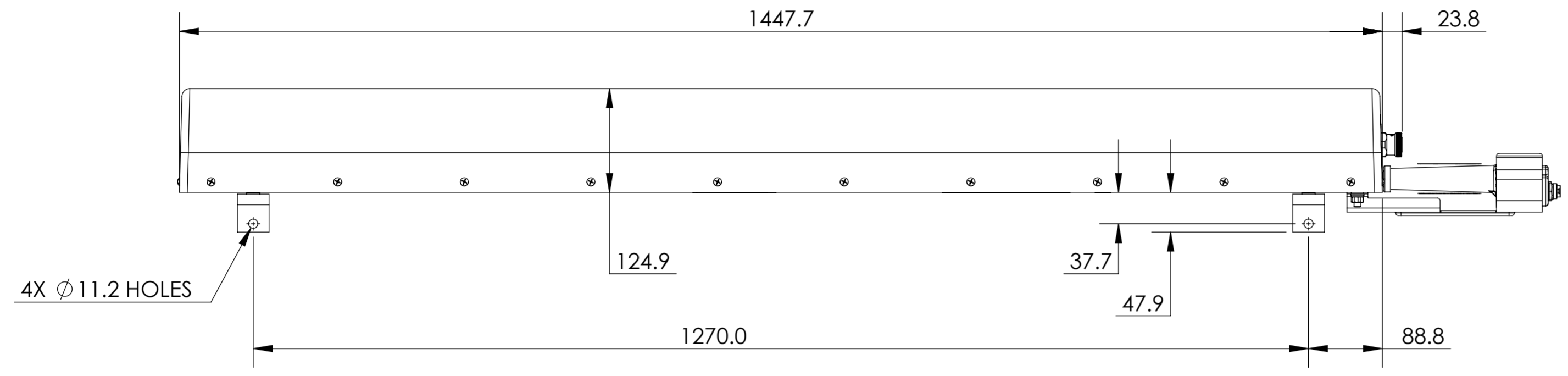
3

2

1

D

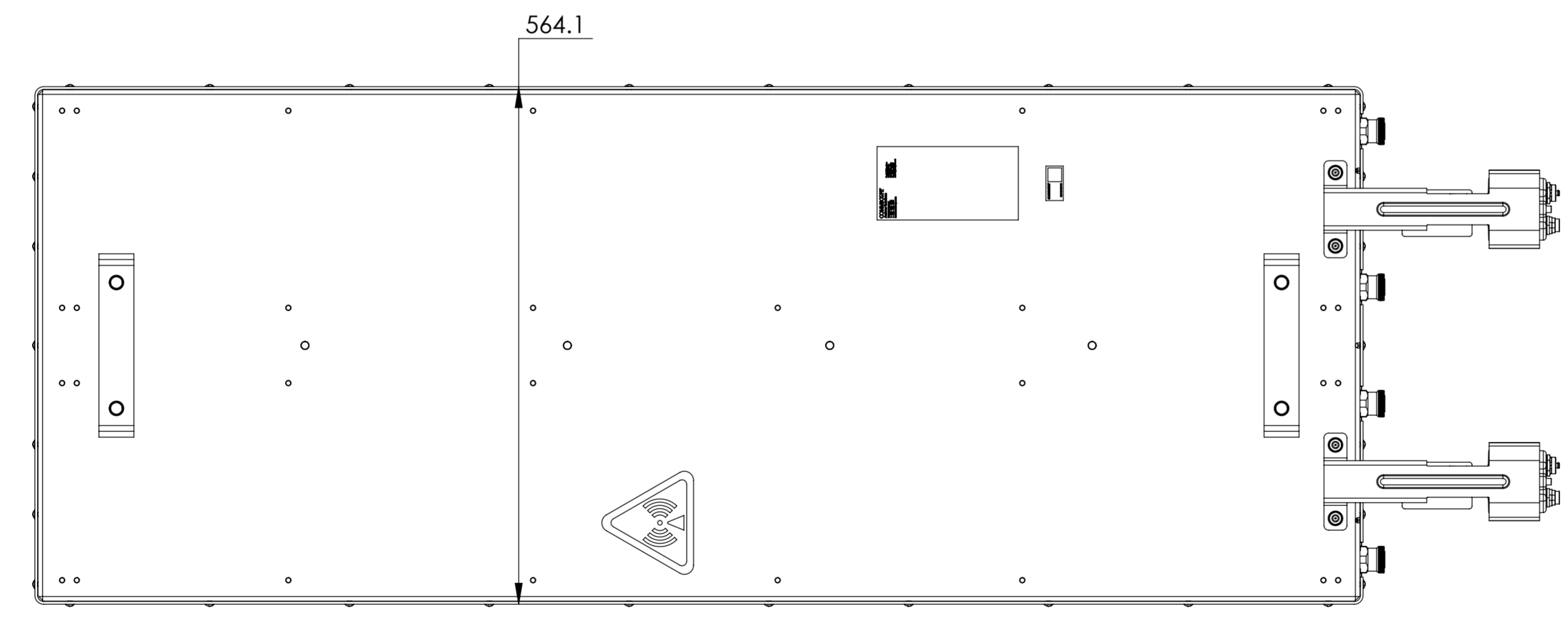
D



C

C

THIRD ANGLE PROJECTION



HBXX-3319DS-R2M  
HBXX-3319DS-A2M

B

B

A

A

4

3

2

1

THIRD ANGLE PROJECTION