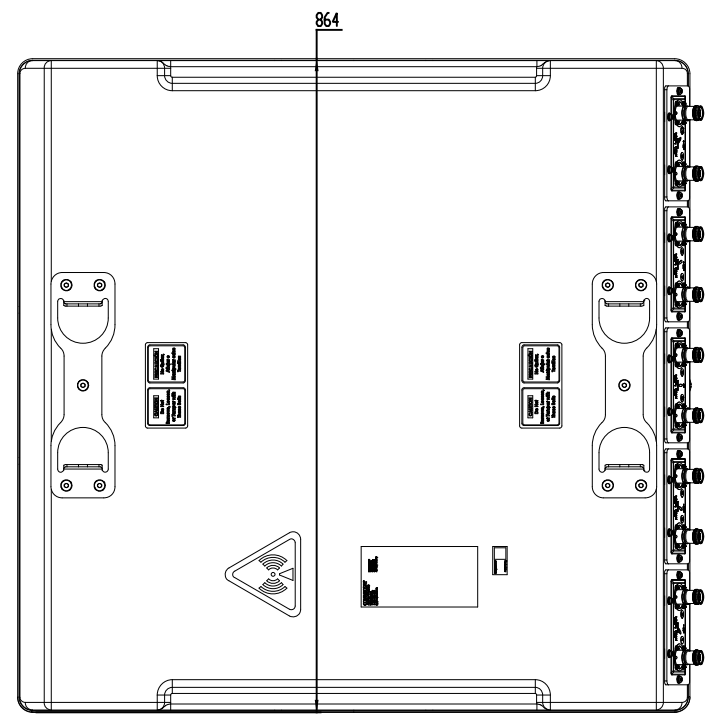
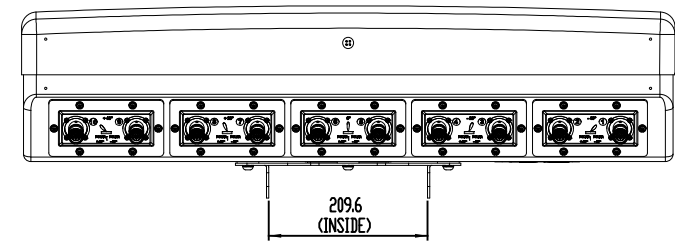
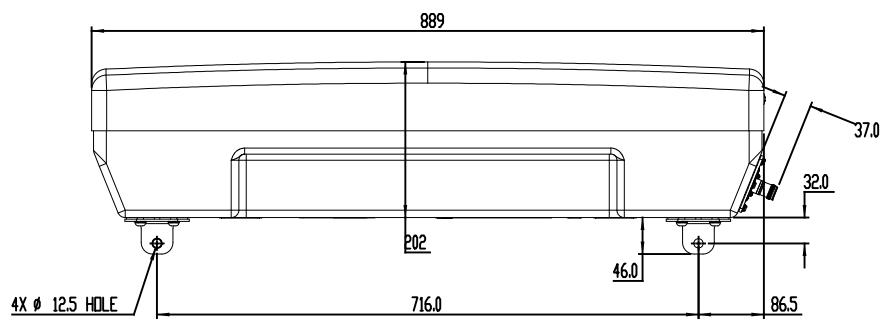


NOTES:

REVISION
A



5NPX1006F-V2