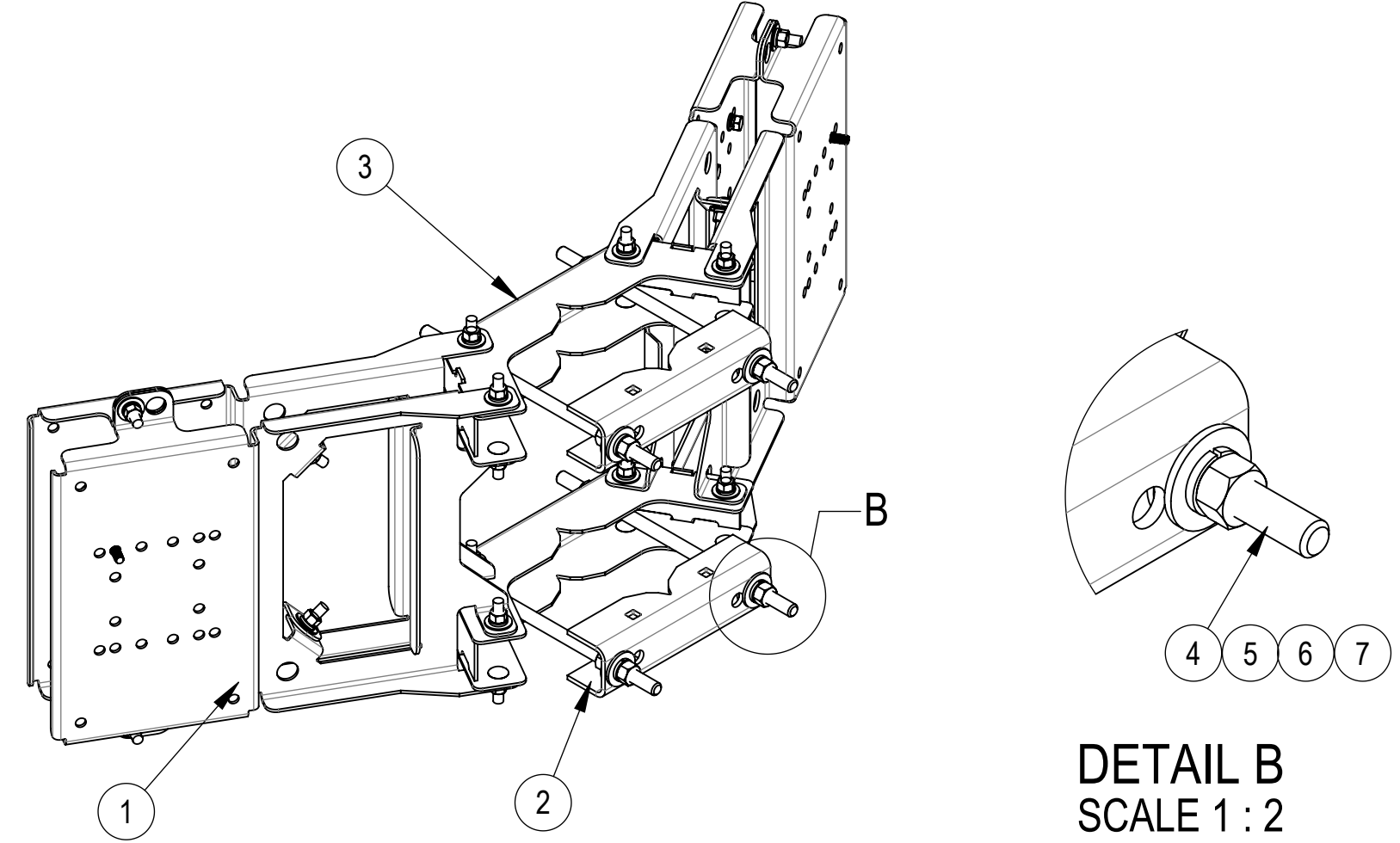
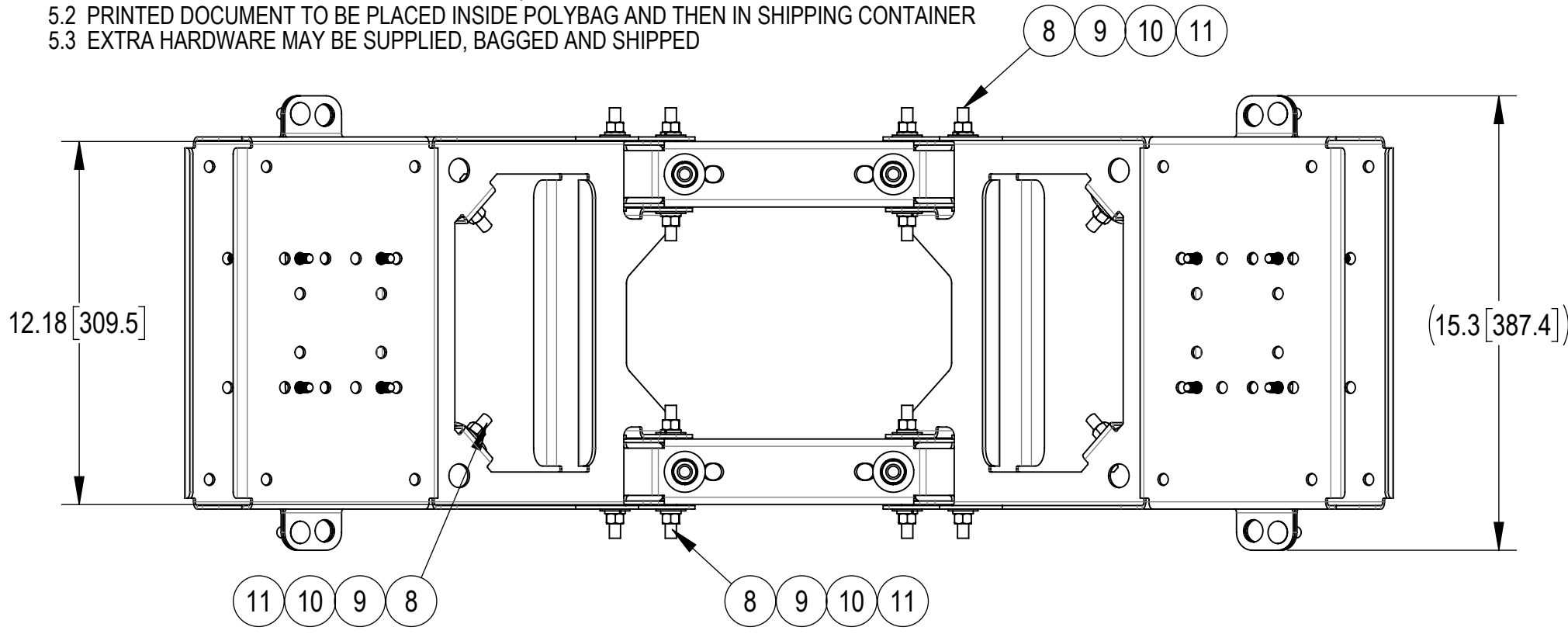
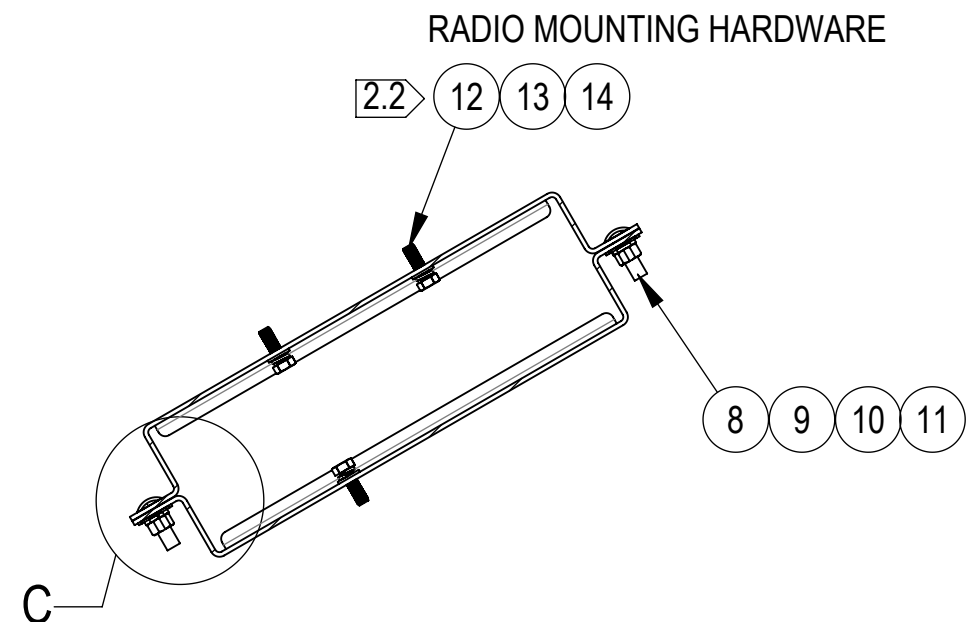
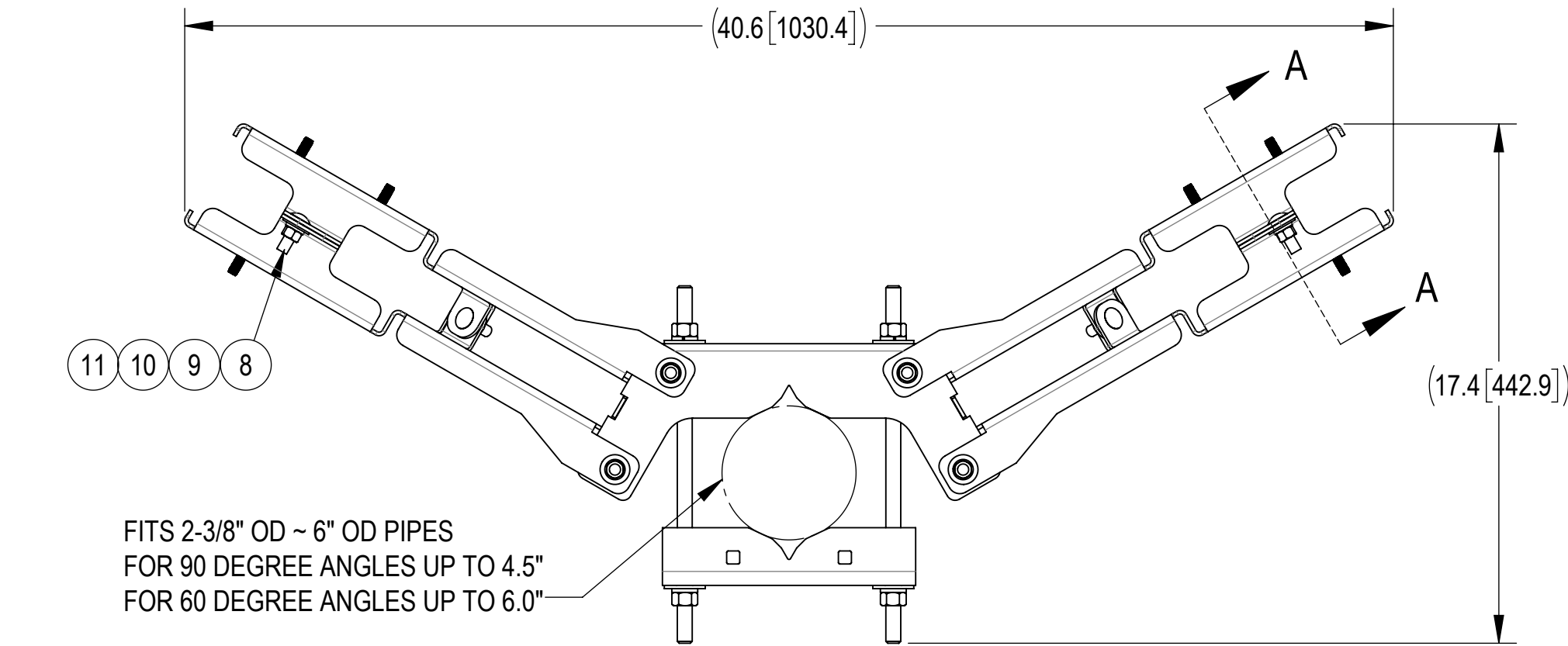


- 1.0 GENERAL NOTES
  - 1.1 ALL METRIC DIMENSIONS ARE IN BRACKETS [X. X]
  - 1.2 FOR PATENT INFO: <https://www.cs-pat.com>
- 2.0 DESIGN NOTES
  - 2.1 MAXIMUM EQUIPMENT WEIGHT PER MOUNTING BRACKET = 50KG (110 LB)
  - 2.2 BOLTS/NUTS/WASHERS USE TO ATTACH INTERFACE BRACKET TO RADIO ARE TO BE PER RADIO MANUFACTURERS SPECIFICATIONS INCLUDING TORQUE.
- 3.0 MANUFACTURING/SPECIAL REQUIREMENTS
  - 3.1 THREADED ROD : TORQUE 310.0 IN-LB OR 35.0 N-M
  - CARRIAGE BOLT : TORQUE 150.0 IN-LB OR 17.0 N-M
- 4.0 TEST
- 5.0 PACKAGING
  - 5.1 PACKAGING SHALL MEET COMMSCOPE REQUIREMENTS PER DOCUMENT IS-PL-3005
  - 5.2 PRINTED DOCUMENT TO BE PLACED INSIDE POLYBAG AND THEN IN SHIPPING CONTAINER
  - 5.3 EXTRA HARDWARE MAY BE SUPPLIED, BAGGED AND SHIPPED

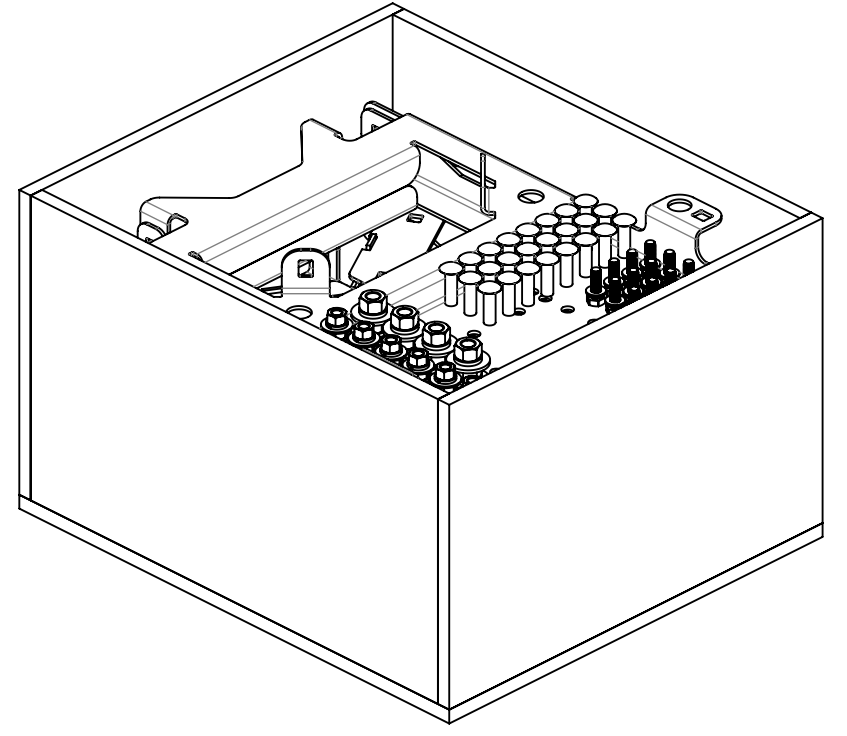
REVISIONS			
REV.	DESCRIPTION	DATE	APPROVED
A	INITIAL RELEASE	NSUN 24AUG24	YZ1080 40202740CMO
B	UPDATED FOR BRACKET CHANGE	YX1027 09OCT24	YZ1080 40204940CMO



DETAIL B  
SCALE 1 : 2



SECTION A-A  
SCALE 1 : 5

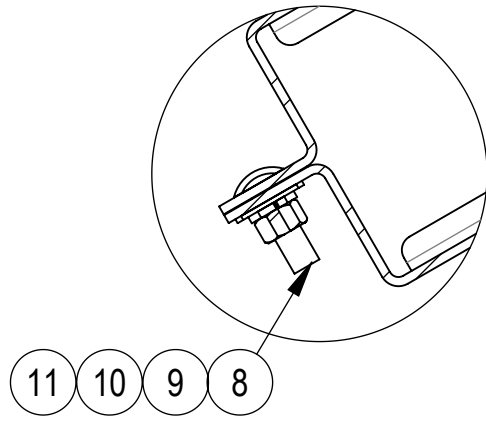


PACKAGING

FITS 2-3/8" OD ~ 6" OD PIPES  
FOR 90 DEGREE ANGLES UP TO 4.5"  
FOR 60 DEGREE ANGLES UP TO 6.0"

COMPONENT PART NUMBERS PROVIDED FOR ASSEMBLY PURPOSES;  
INDIVIDUAL COMPONENTS MAY BE SHIPPED AS PARTS WITHIN AN INCLUDED KIT.

ITEM	PART NO.	DESCRIPTION	QTY.	WEIGHT	NOTE NO.
1	MTC378905-00	BRACKET, RRU MOUNTING, RR-FAX	4	7.35 LBS	
2	MTC378904-00	CLAMP FOR FA4, GALV	2	2.23 LBS	
3	MTC378907-00	CLAMP FOR APEX4	2	3.47LBS	
4	MT-379	1/2" X 12" GALV THREADED ROD	4	0.66 LBS	
5	GWF-04	1/2" GALV FLAT WASHER	12	0.04 LBS	
6	GWL-04	1/2" GALV LOCK WASHER	12	0.01 LBS	
7	GN-04	1/2" GALV HEX NUT	12	0.04 LBS	
8	MTC8196	3/8 X 1-1/4" CARRIAGE BOLT	24	0.052 LBS	
9	GWF-03	3/8" GALV FLAT WASHER	24	0.01 LBS	
10	GWL-03	3/8" GALV LOCK WASHER	24	0.01 LBS	
11	GN-03	3/8" GALV HEX NUT	24	0.02 LBS	
12	MTC9415	M8 X 25mm HEX BOLT SS	16	0.032 LBS	
13	MTC9419	M8 FLAT WASHER SS	16	0.004 LBS	
14	MTC9418	M8 LOCK WASHER SS	16	0.002 LBS	



DETAIL C  
SCALE 2 : 5

PROPERTY	VALUE	UNIT
DENSITY	47.08	lbs/in <sup>3</sup>
MASS	47.08	lbs
VOLUME	165.76	in <sup>3</sup>
SURFACE AREA	2770.26	in <sup>2</sup>
HEIGHT	11.0"	
LENGTH	18.0"	
WIDTH	15.5"	

<b>COMMSCOPE, INC. OF NORTH CAROLINA</b>			
TOLERANCES		SAP MATERIAL MASTER	
1 PLACE .X[X] ± 0.25[6.3]	3 PLACE .XXX[X] ± 0.06[1.5]	<b>RR-APEX4-E</b>	
2 PLACE .XX[X] ± 0.12[3.0]	ANGLES ± 2°		
FINISH		MATERIAL	
UNLESS OTHERWISE SPECIFIED DIMENSIONS ARE IN INCHES INTERPRET PER ANSI Y 14.5M-1994	NAME	DATE	TITLE
	CE NSUN	21AUG24	<b>RRH MOUNT, ERICSSON, 4-RADIOS</b>
	RW YMENG	10/09/2024	
	AD YZ1080	10/09/2024	
	RE YMENG	10/09/2024	
ECN 40204940CMO			
SCALE	DOCUMENT NO.	<b>RR-APEX4-E</b>	
1:6			
SIZE	Auth Group	INSL	MODEL
C			
VERSION	STATUS	REVISION	VERSION
01	RE	C	01
DRAWING		STATUS	REVISION
		RE	B
SHEET			1 OF 7

4

3

2

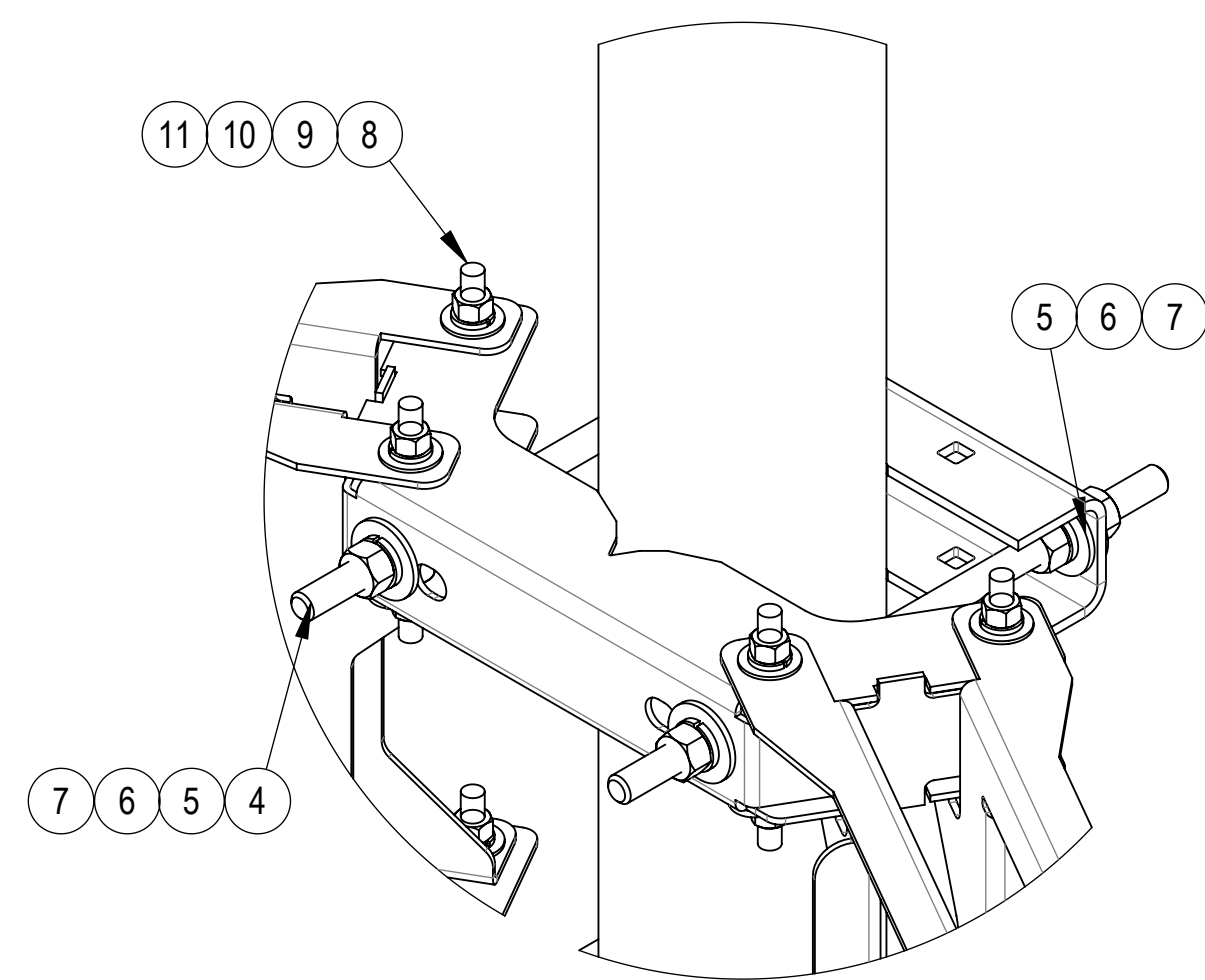
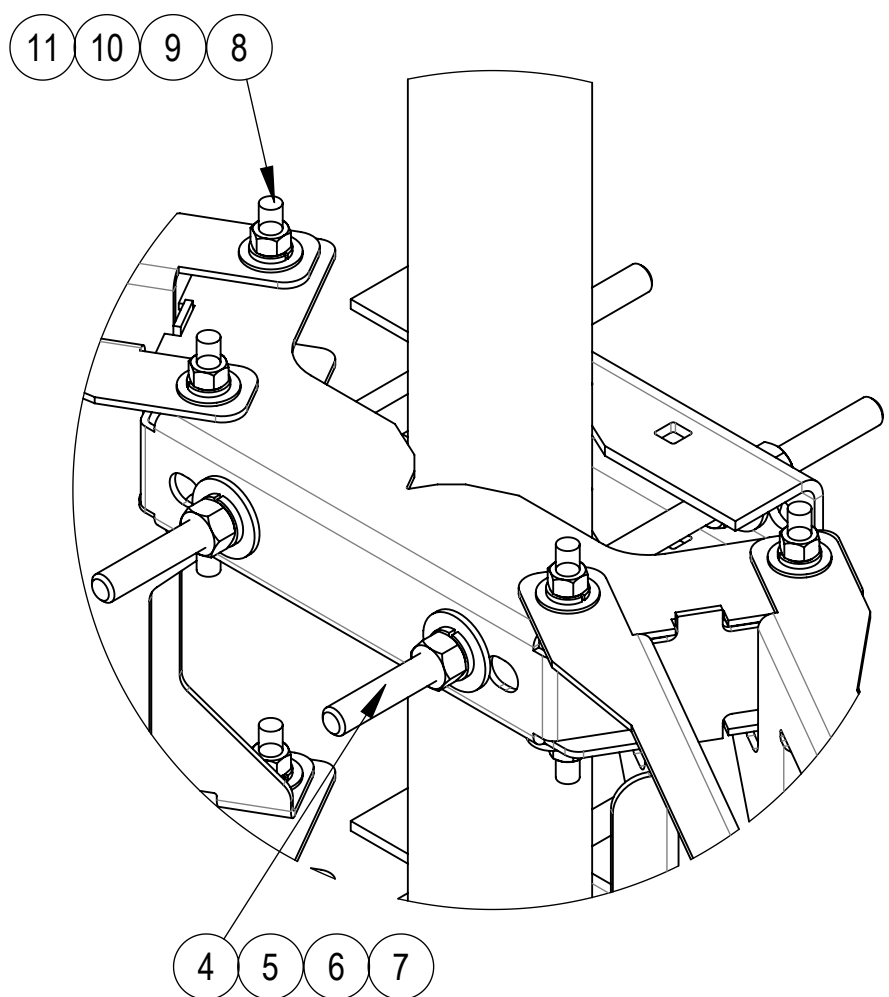
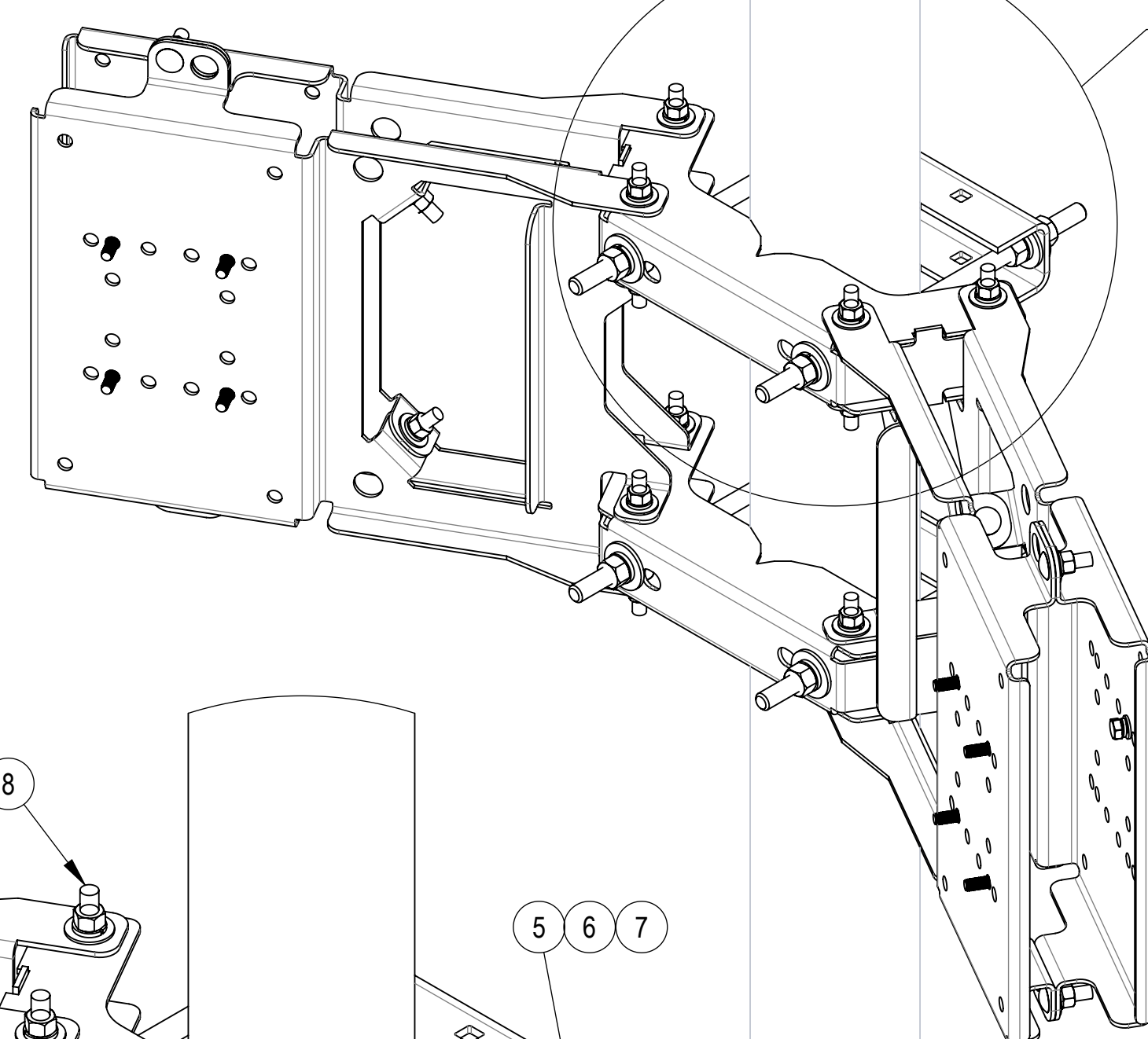
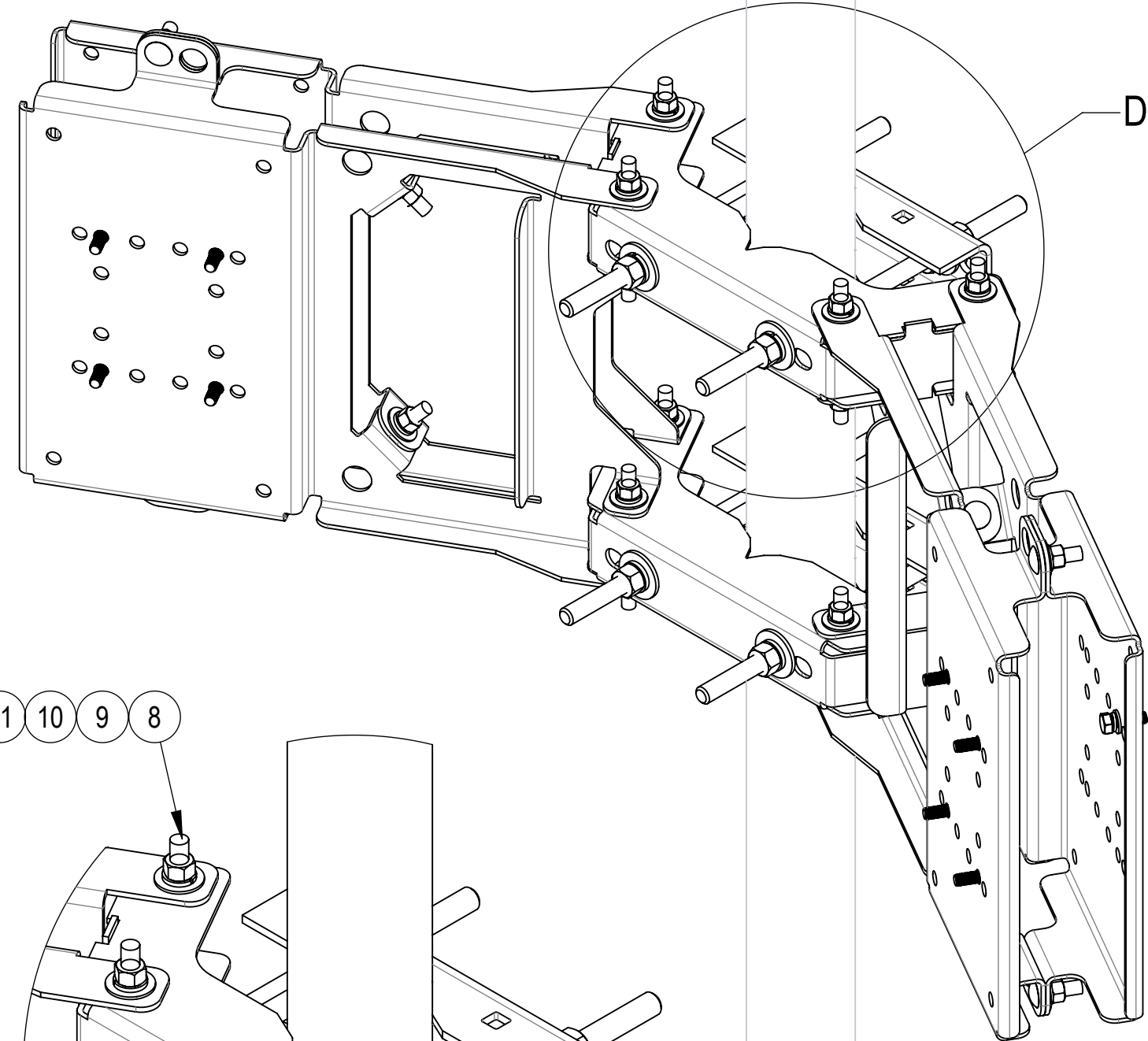
1

D

D

FOR POLES TO 2.375" ~ 4.5" IN DIAMETER  
SHOWN FOR REFERENCE  
(SOLD SEPARATELY)

FOR POLES TO 4.5" ~ 6" IN DIAMETER  
SHOWN FOR REFERENCE  
(SOLD SEPARATELY)



**DETAIL D**  
SCALE 1 : 3

**DETAIL E**  
SCALE 1 : 3

APPLICABLE PIPE DIAMETER FOR INNER HOLE

APPLICABLE PIPE DIAMETER FOR EXTERNAL HOLES

COMMSCOPE, INC. OF NORTH CAROLINA				
TITLE RRH MOUNT,ERICSSON,4-RADIOS				
SIZE <b>C</b>	SCALE <b>1:12</b>	DOCUMENT NO. <b>RR-APEX4-E</b>		
		DRAWING		SHEET
		VERSION 01	STATUS RE	REVISION B

4

3

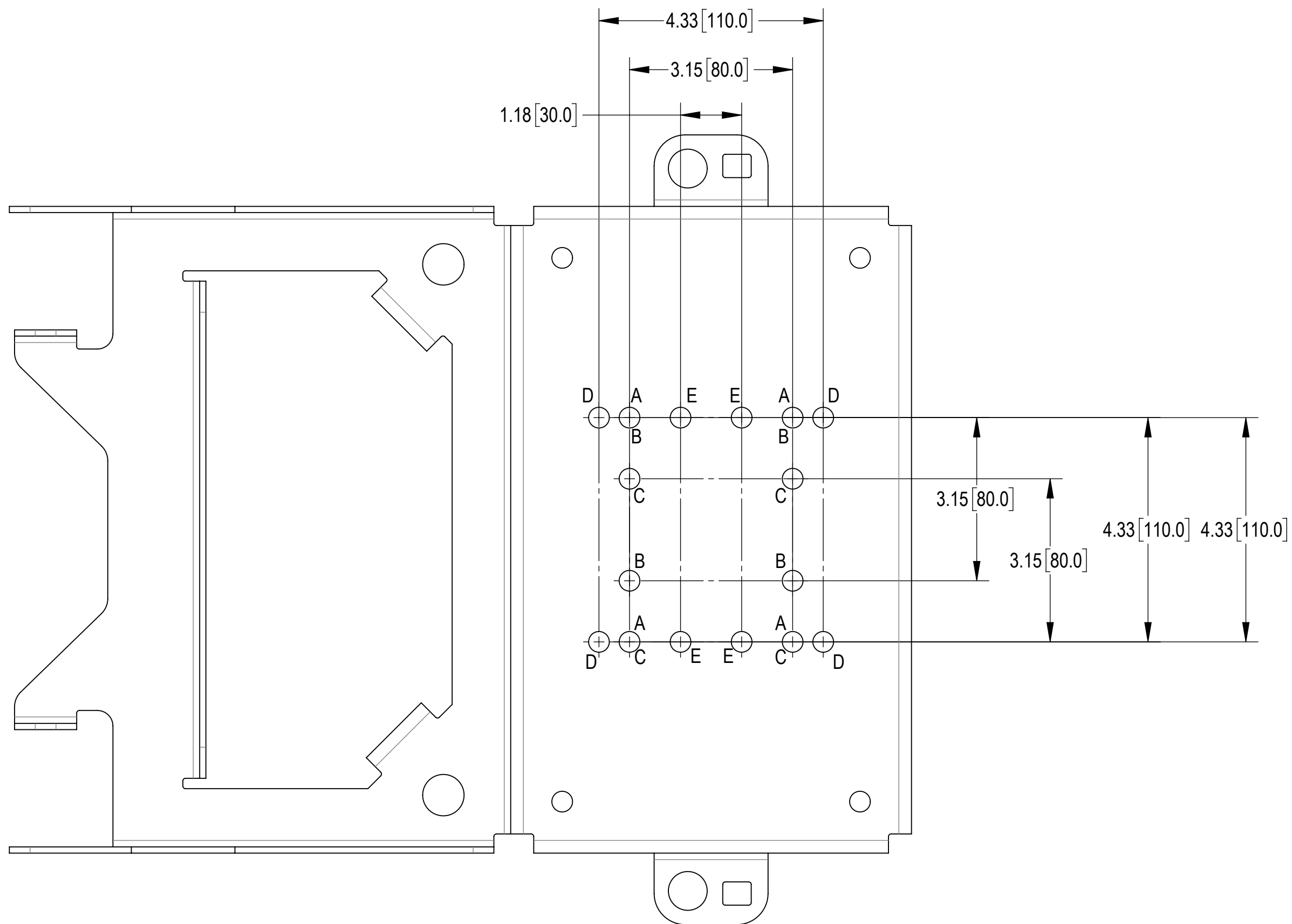
2

1


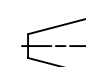
A

A

# MOUNTING HOLES POSITION



"A": 4449/4467/4490/4890/8843/8863  
 "B": 4455  
 "C": 4455  
 "D": 4435/4460/1281/5322  
 "E": 4415/4426/4478/6308

COMMSCOPE, INC. OF NORTH CAROLINA				
TITLE RRH MOUNT,ERICSSON,4-RADIOS				
SIZE <b>C</b>	SCALE <b>1:2</b>	DOCUMENT NO. RR-APEX4-E		
 		DRAWING		SHEET
		VERSION 01	STATUS RE	REVISION B

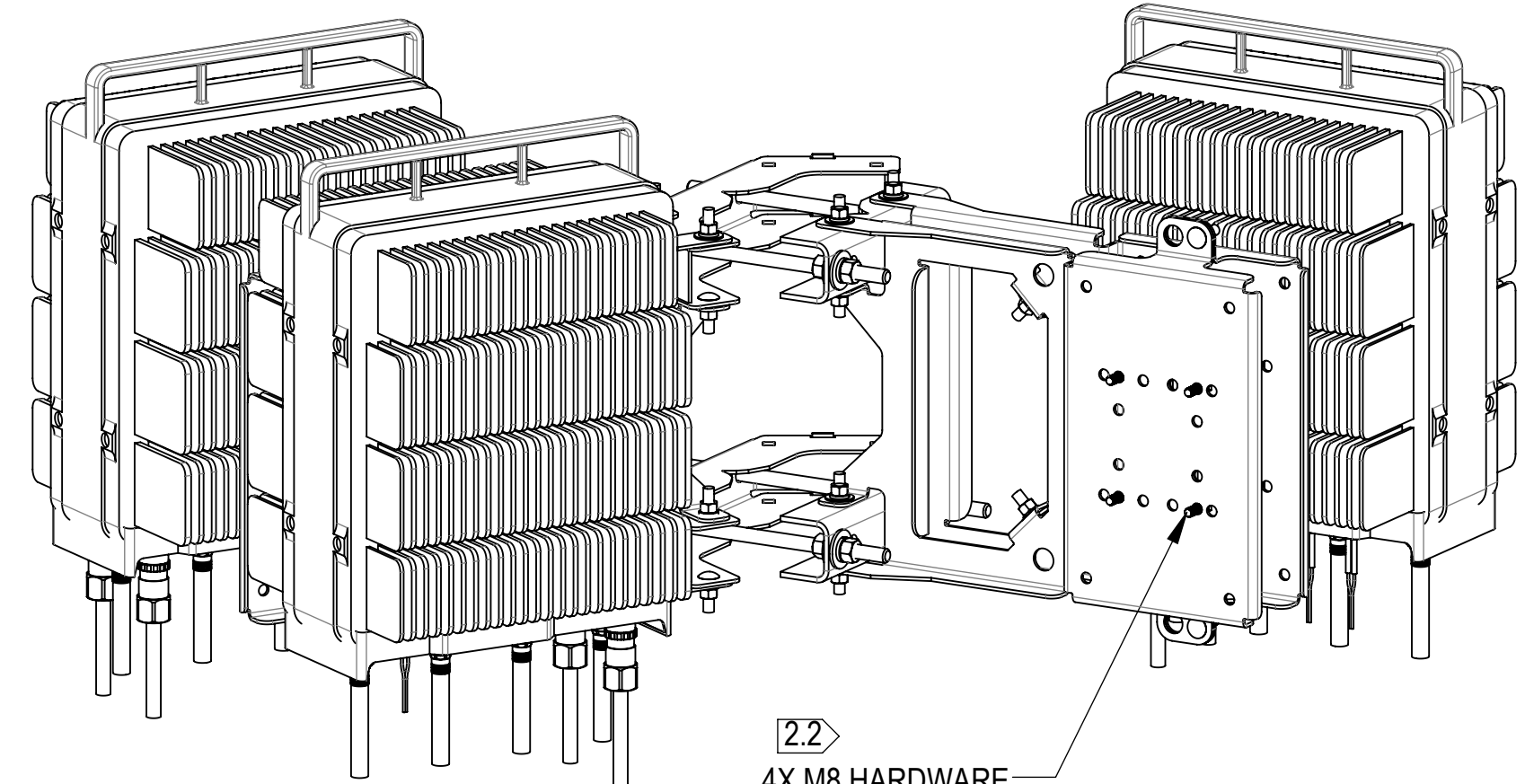
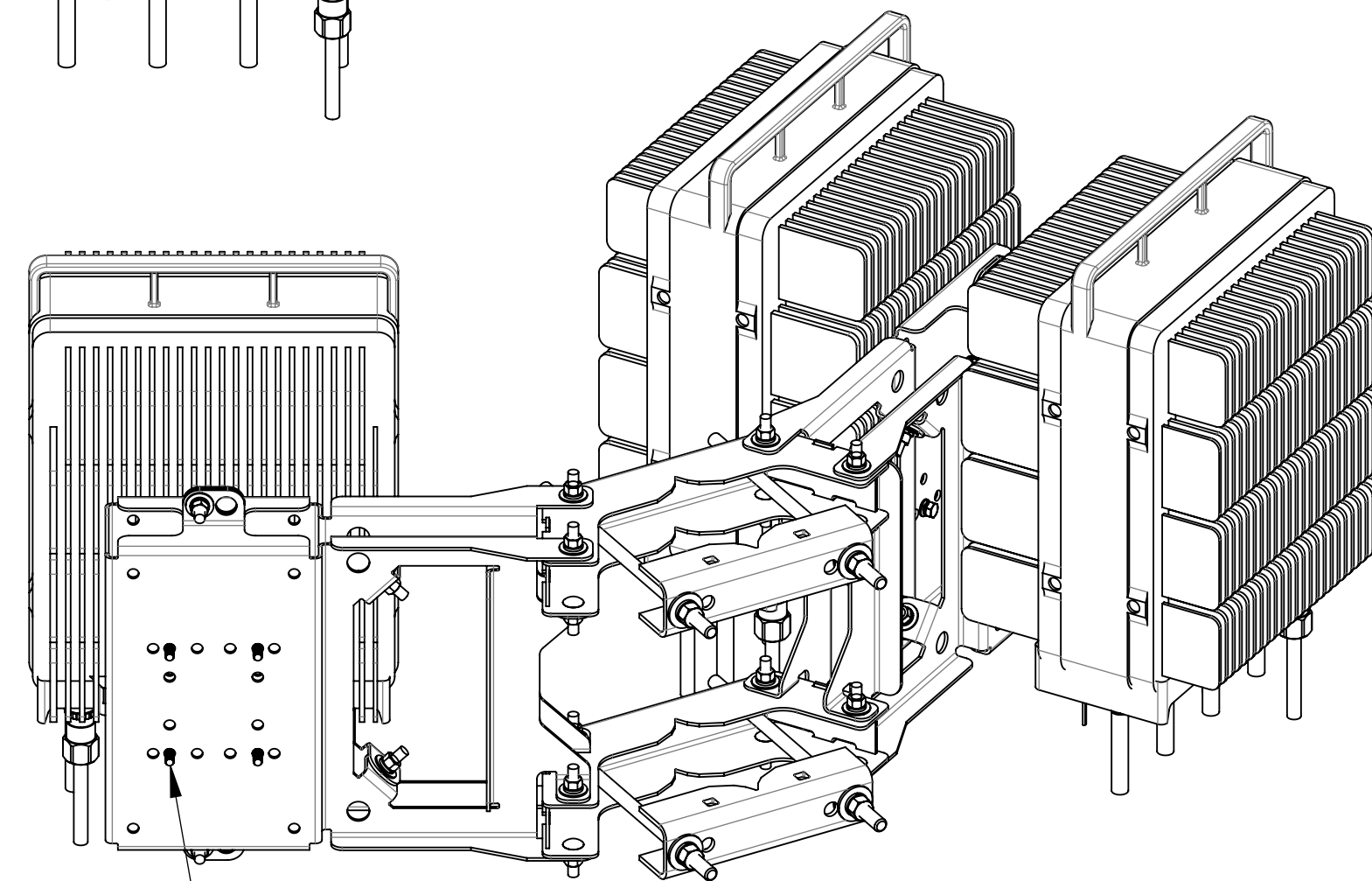
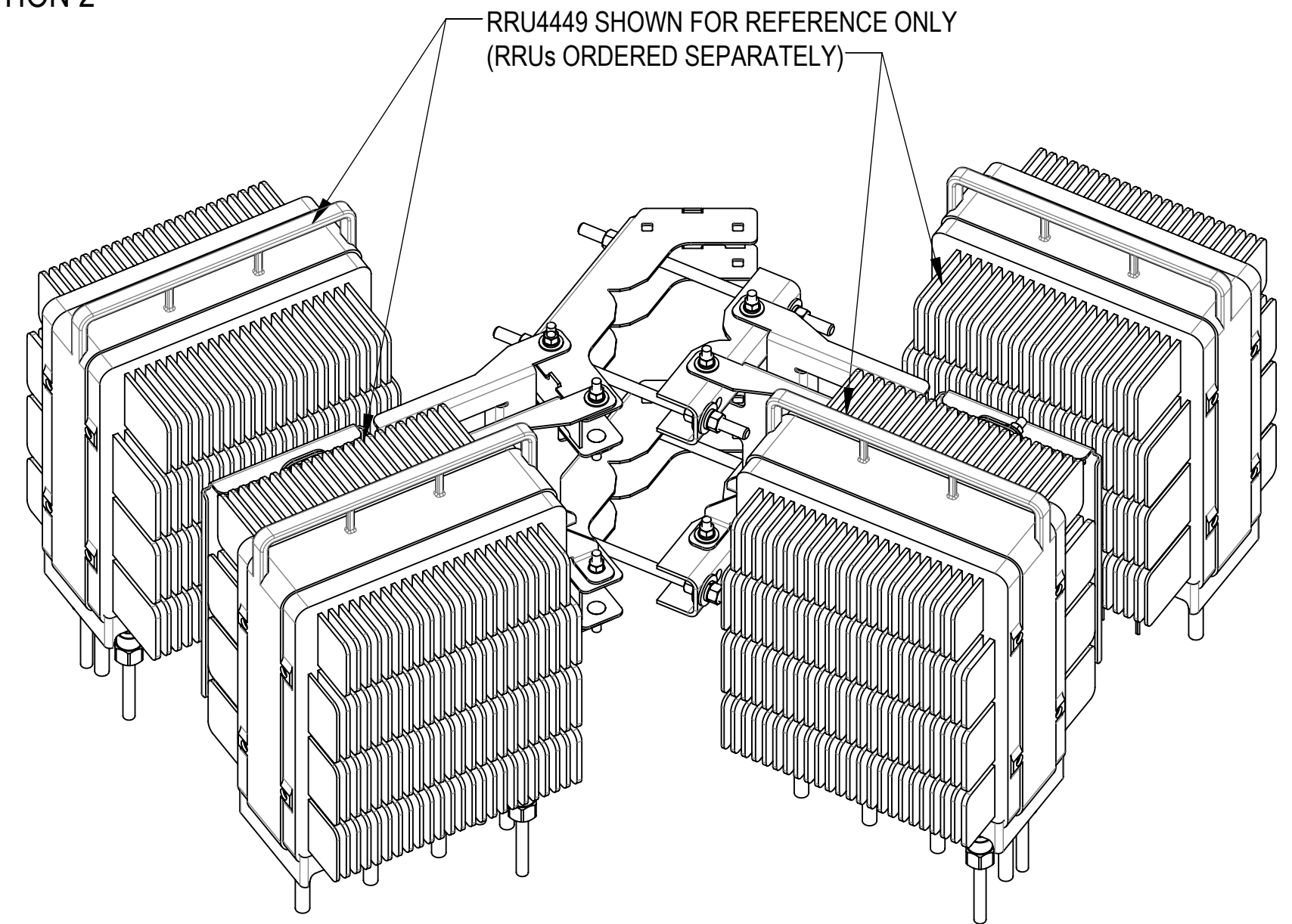
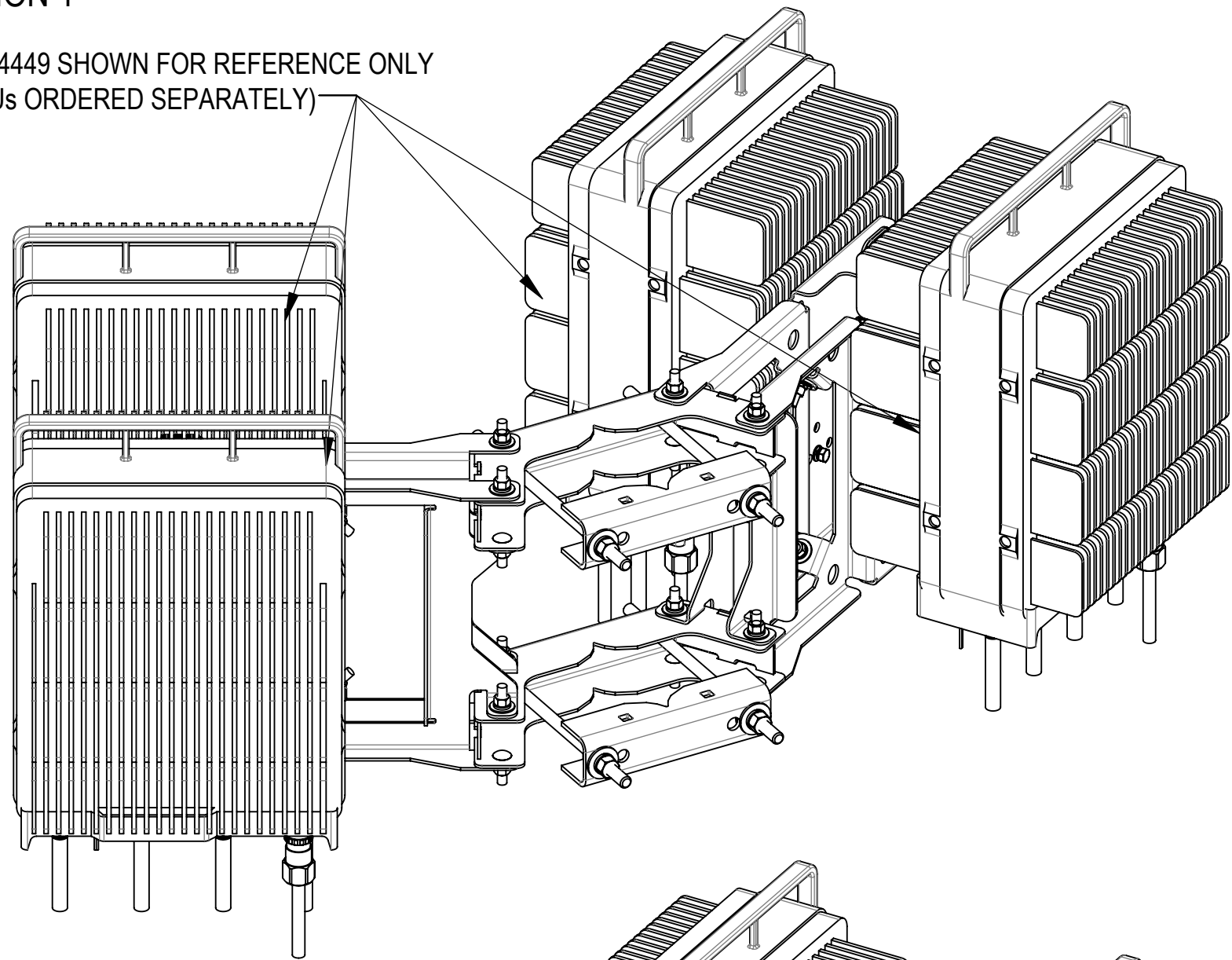
BRACKET COMPATIBLE WITH 4449/4467/4490/4890/8843/8863 RADIO MOUNTING ON RR-APEX4-E

OPTION 1

RRU4449 SHOWN FOR REFERENCE ONLY  
(RRUs ORDERED SEPARATELY)

OPTION 2

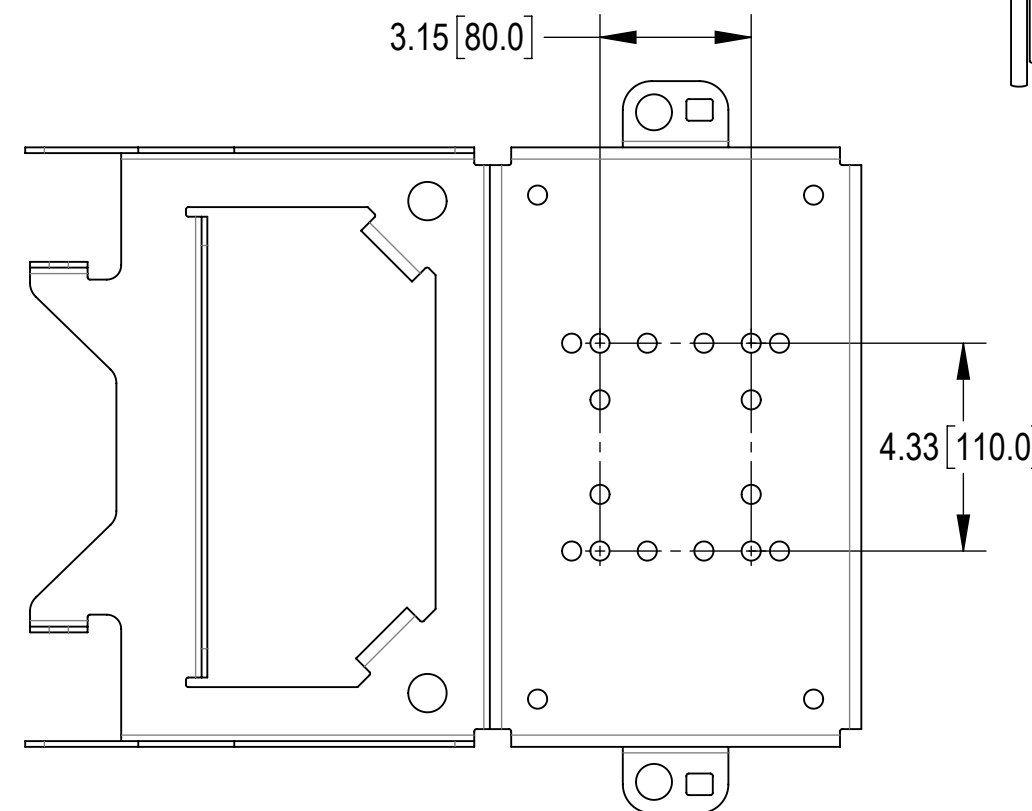
RRU4449 SHOWN FOR REFERENCE ONLY  
(RRUs ORDERED SEPARATELY)



2.2  
4X M8 HARDWARE  
(RRU 4449/4467/4490/4890/8843/8863 MOUNTING)

(NEAR SIDE RRU HIDDEN FOR CLARITY)

2.2  
4X M8 HARDWARE  
(RRU 4449/4467/4490/4890/8843/8863 MOUNTING)  
(NEAR SIDE RRU HIDDEN FOR CLARITY)



MOUNTING HOLES POSITION

COMMSCOPE, INC. OF NORTH CAROLINA				
TITLE RRH MOUNT,ERICSSON,4-RADIOS				
SIZE C	SCALE 1:4	DOCUMENT NO. RR-APEX4-E		
		DRAWING		SHEET
		VERSION 01	STATUS RE	REVISION B
				4 OF 7

4

3

2

1

# BRACKET COMPATIBLE WITH 4455 RADIO/AIR MOUNTING ON RR-APEX4-E

## OPTION 1

## OPTION 2

RRU4455 SHOWN FOR REFERENCE ONLY  
(RRUs ORDERED SEPARATELY)

RRU4455 SHOWN FOR REFERENCE ONLY  
(RRUs ORDERED SEPARATELY)

D

D

C

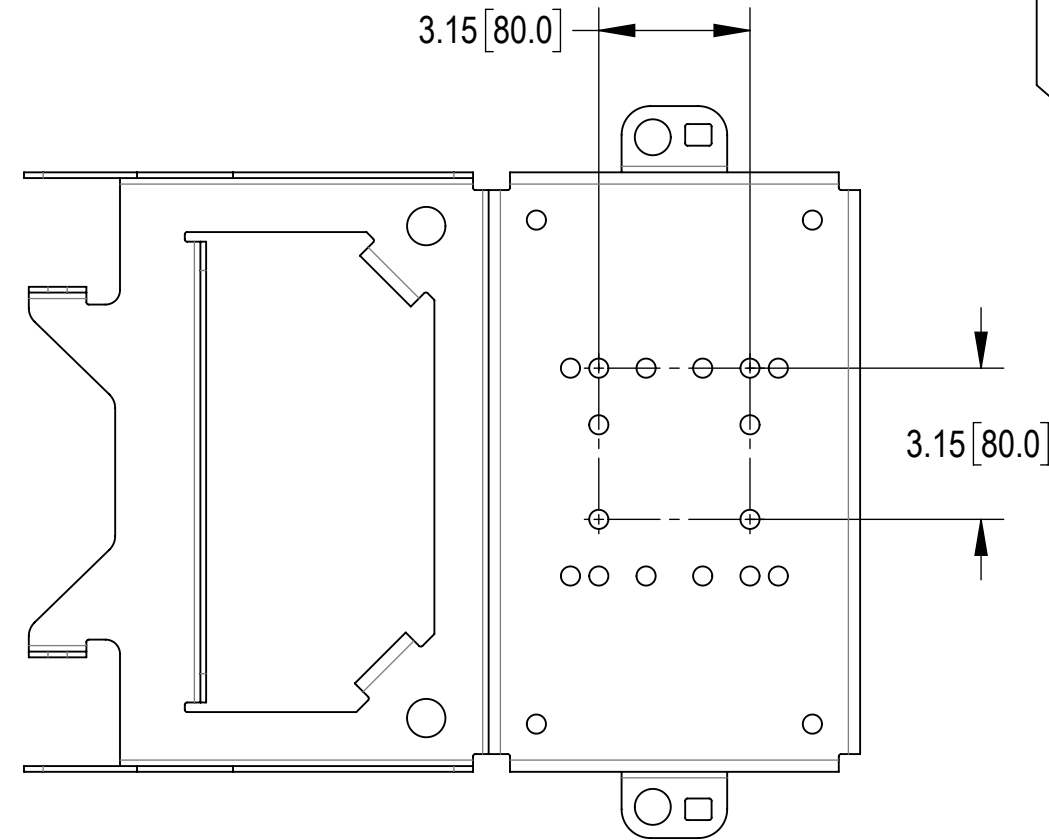
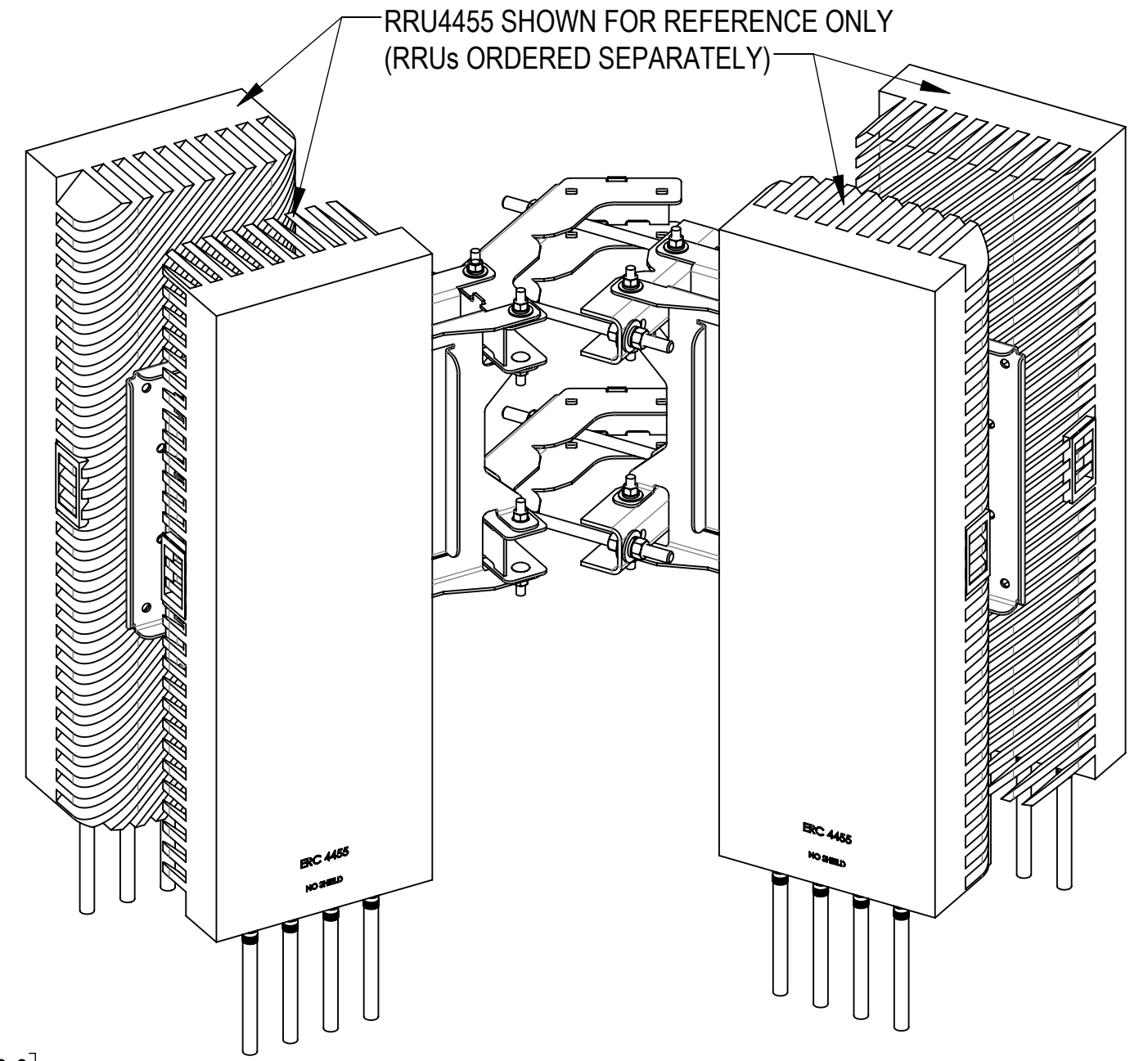
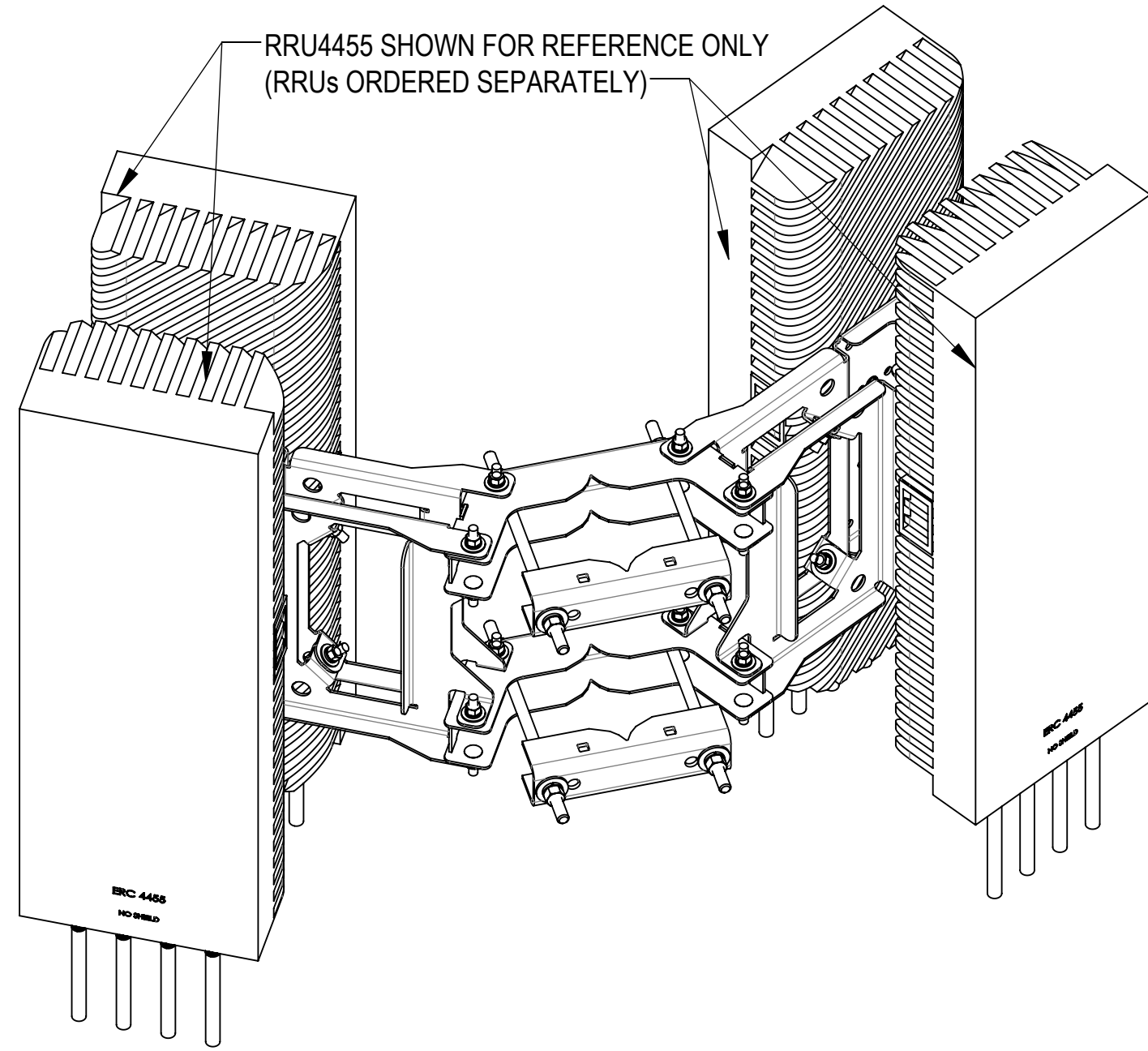
C

B

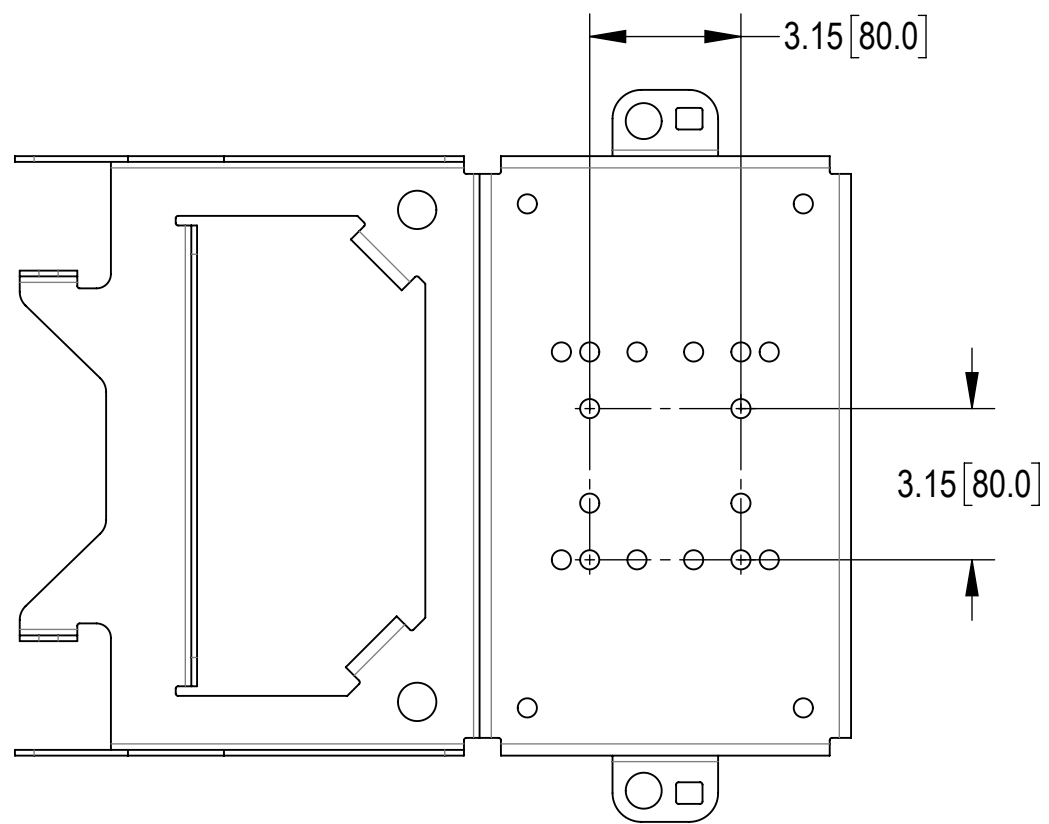
B

A

A

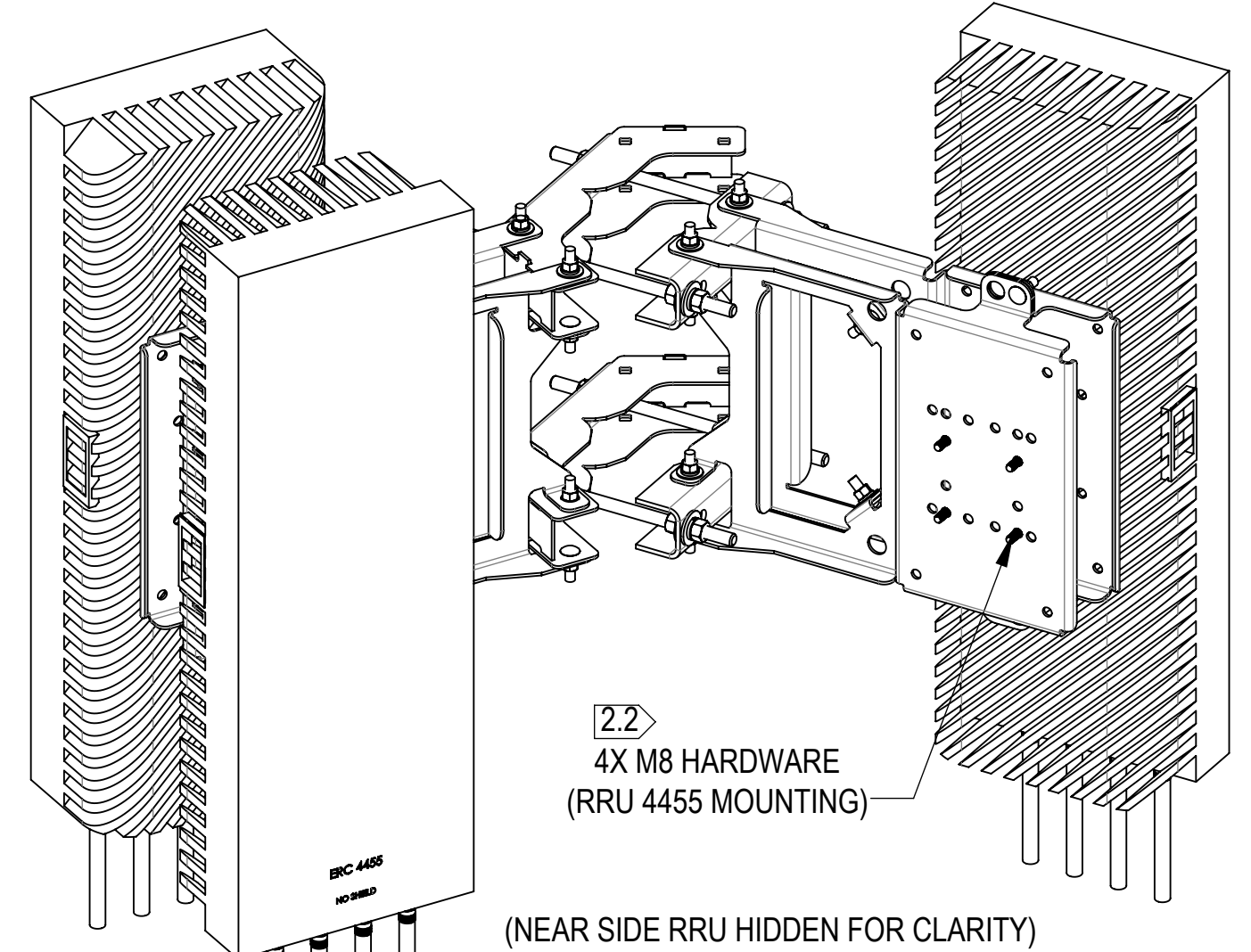
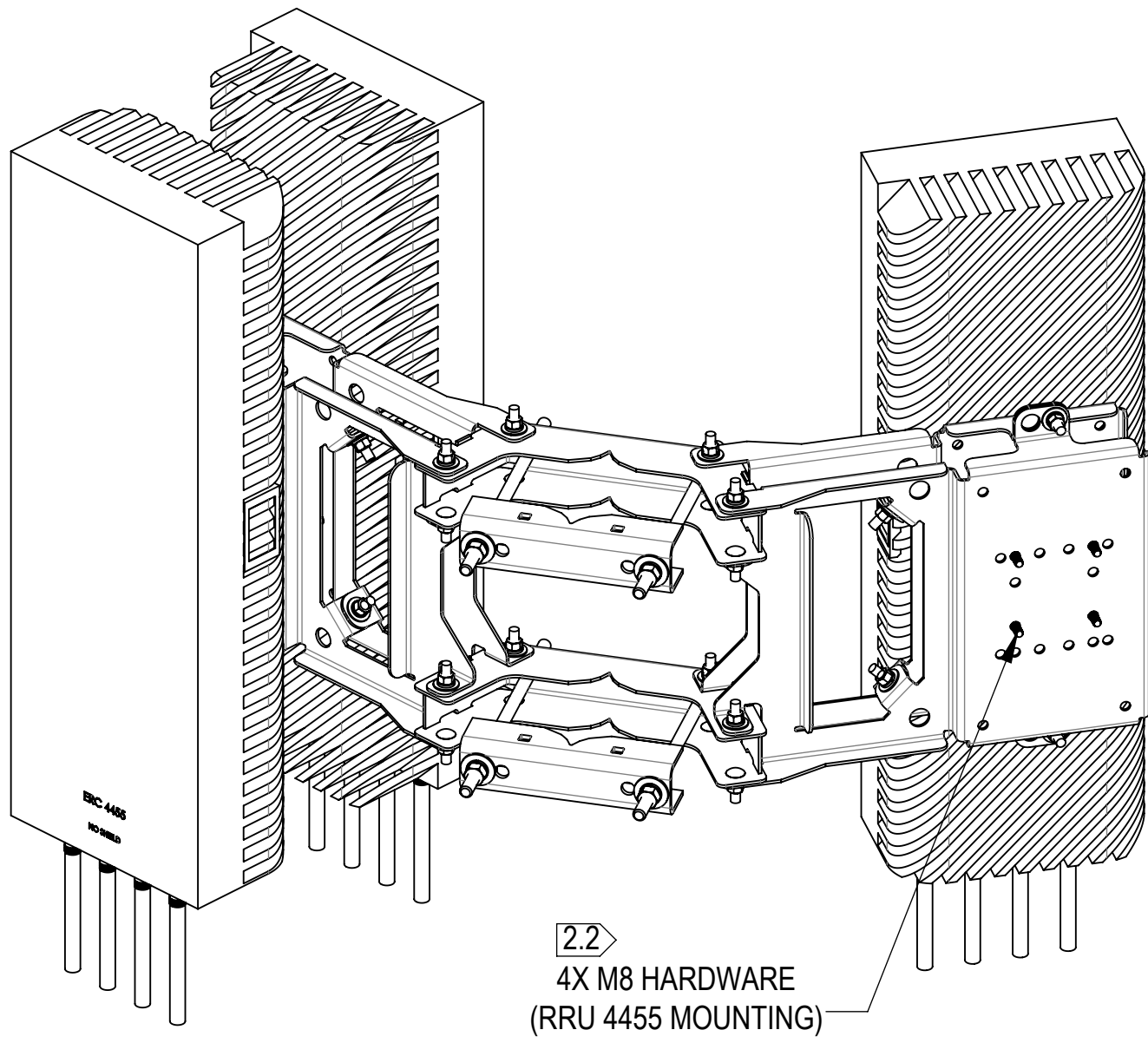


## OPTION 1



## OPTION 2

## MOUNTING HOLES POSITION



2.2  
4X M8 HARDWARE  
(RRU 4455 MOUNTING)

2.2  
4X M8 HARDWARE  
(RRU 4455 MOUNTING)

(NEAR SIDE RRU HIDDEN FOR CLARITY)

(NEAR SIDE RRU HIDDEN FOR CLARITY)

COMMSCOPE, INC. OF NORTH CAROLINA

TITLE  
RRH MOUNT,ERICSSON,4-RADIOS

SIZE <b>C</b>	SCALE <b>1:12</b>	DOCUMENT NO. <b>RR-APEX4-E</b>		
		DRAWING		SHEET
		VERSION	STATUS	REVISION
		01	RE	B
				SHEET 5 OF 7

4

3

2

1

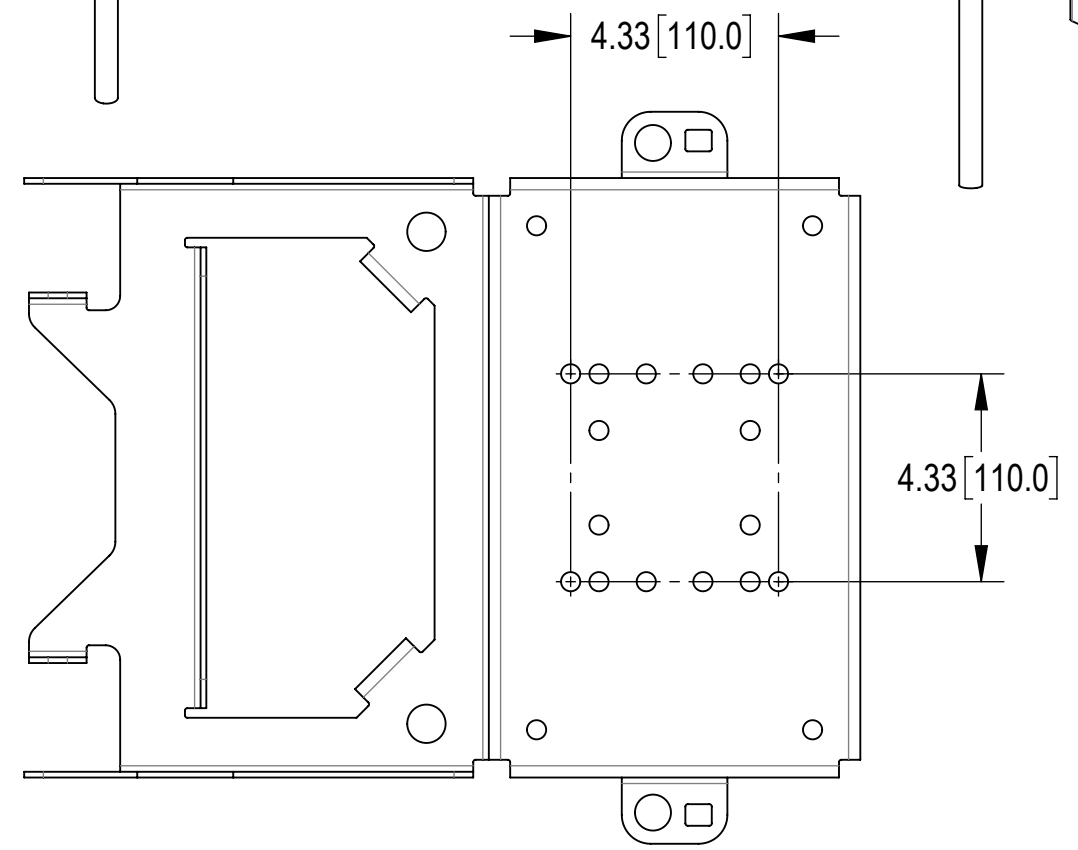
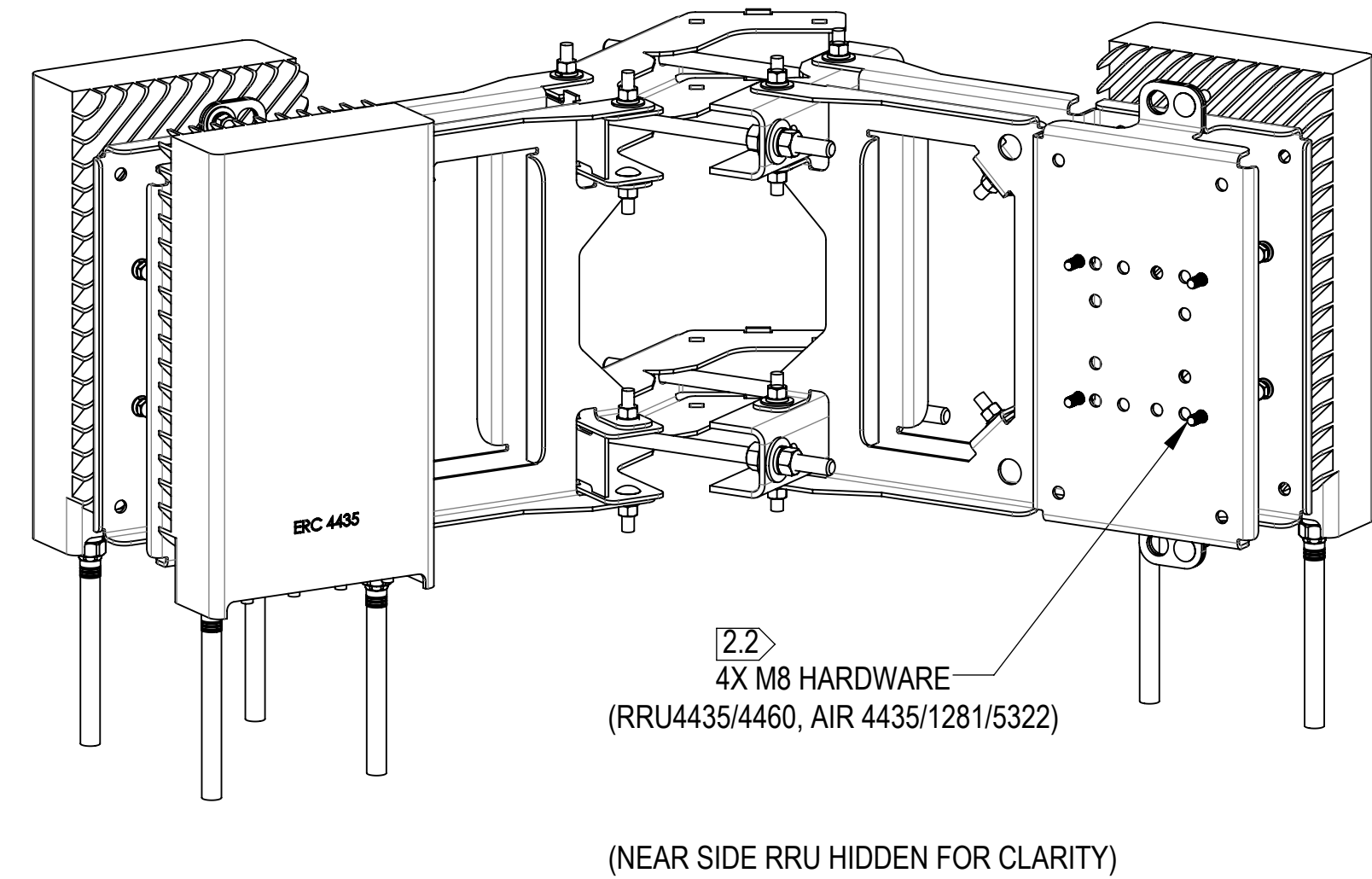
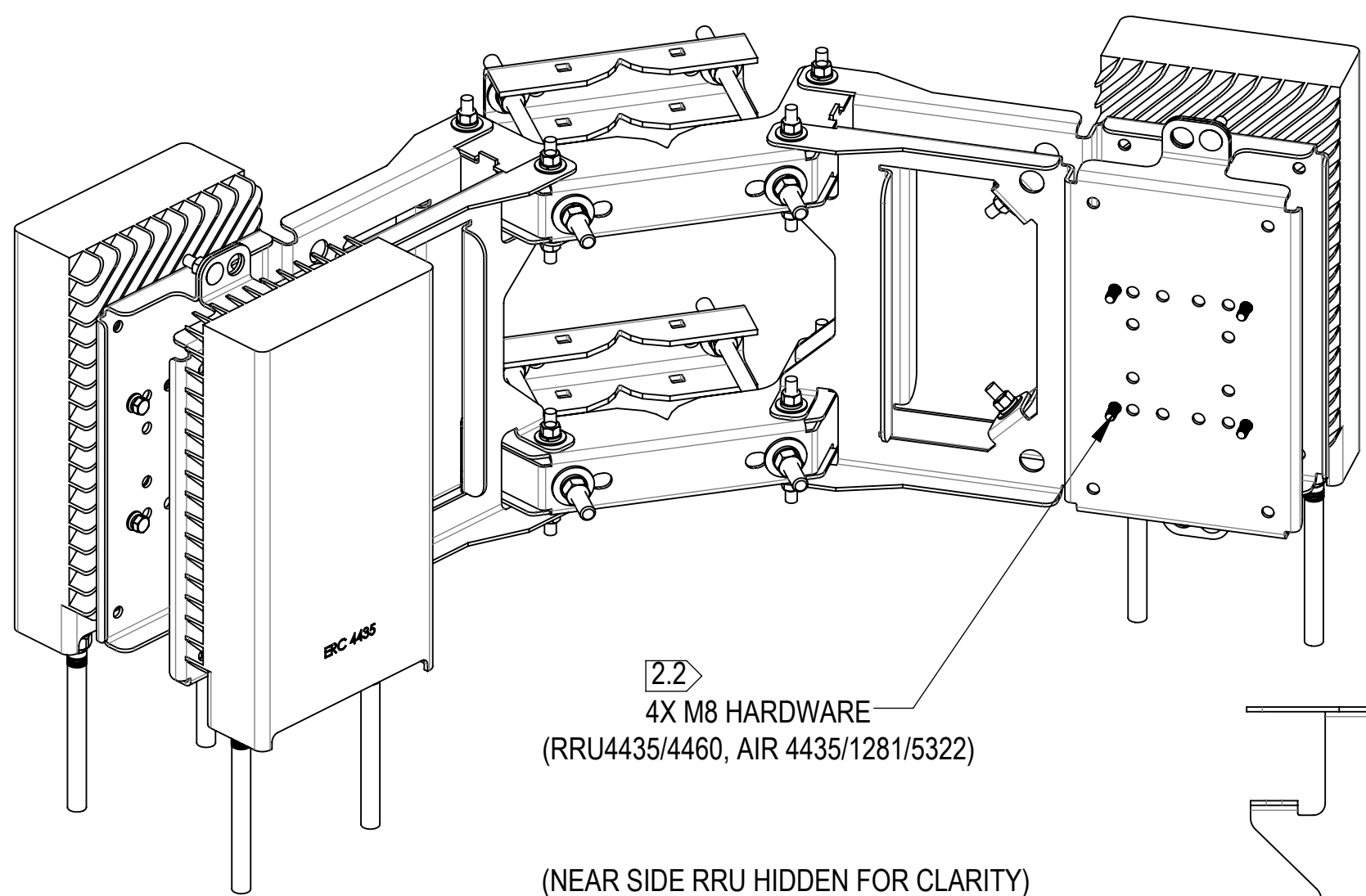
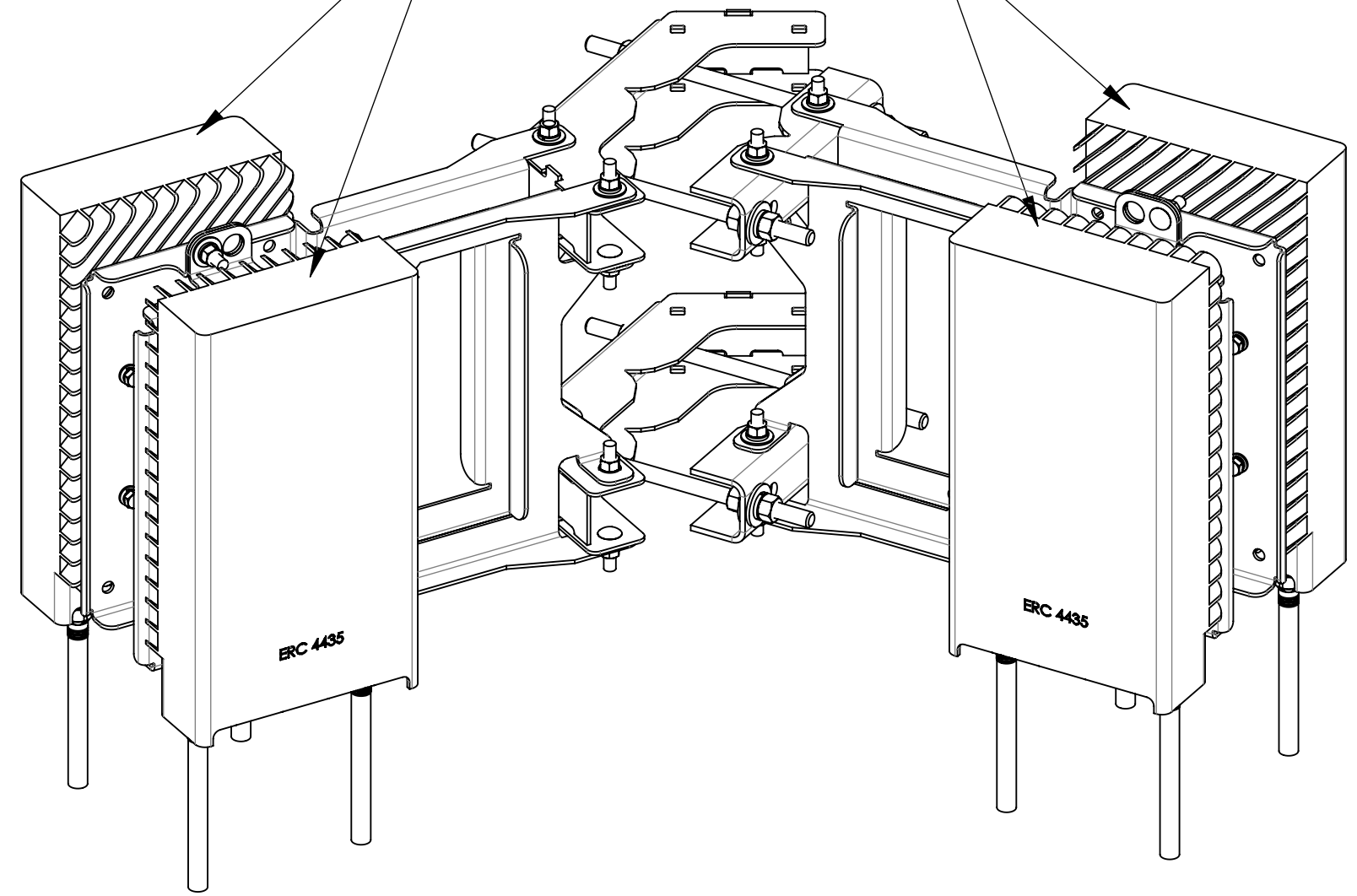
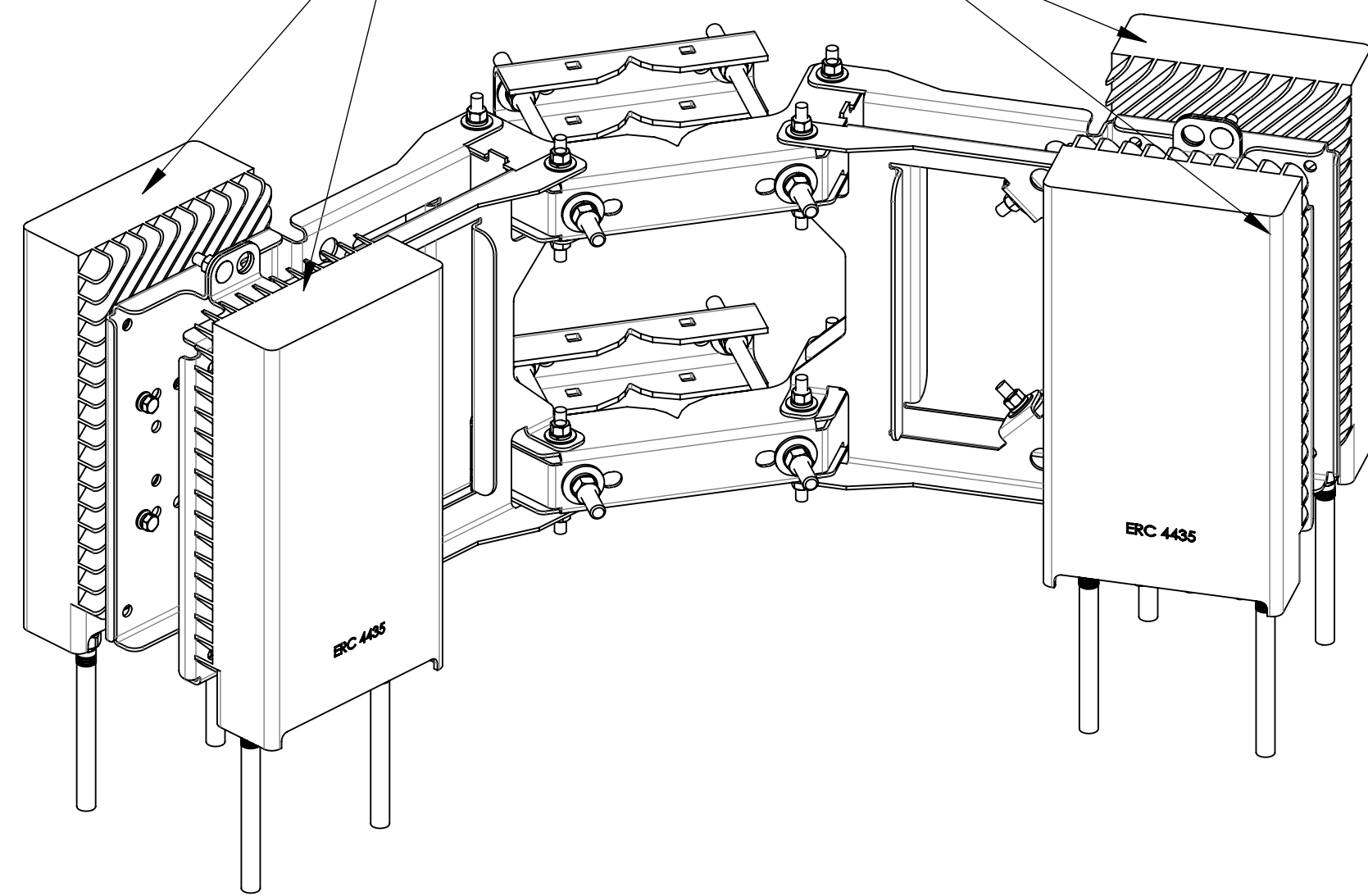
BRACKET COMPATIBLE WITH 4435/4460 RADIO, 4435/1281/5322 AIR MOUNTING ON RR-APEX4-E

OPTION 1

OPTION 2

RRU4435 SHOWN FOR REFERENCE ONLY  
(RRUs ORDERED SEPARATELY)

RRU4435 SHOWN FOR REFERENCE ONLY  
(RRUs ORDERED SEPARATELY)



MOUNTING HOLES POSITION

COMMSCOPE, INC. OF NORTH CAROLINA				
TITLE RRH MOUNT,ERICSSON,4-RADIOS				
SIZE C	SCALE 1:12	DOCUMENT NO. RR-APEX4-E		
		DRAWING		SHEET
		VERSION	STATUS	REVISION
		01	RE	B
				6 OF 7

4

3

2

1

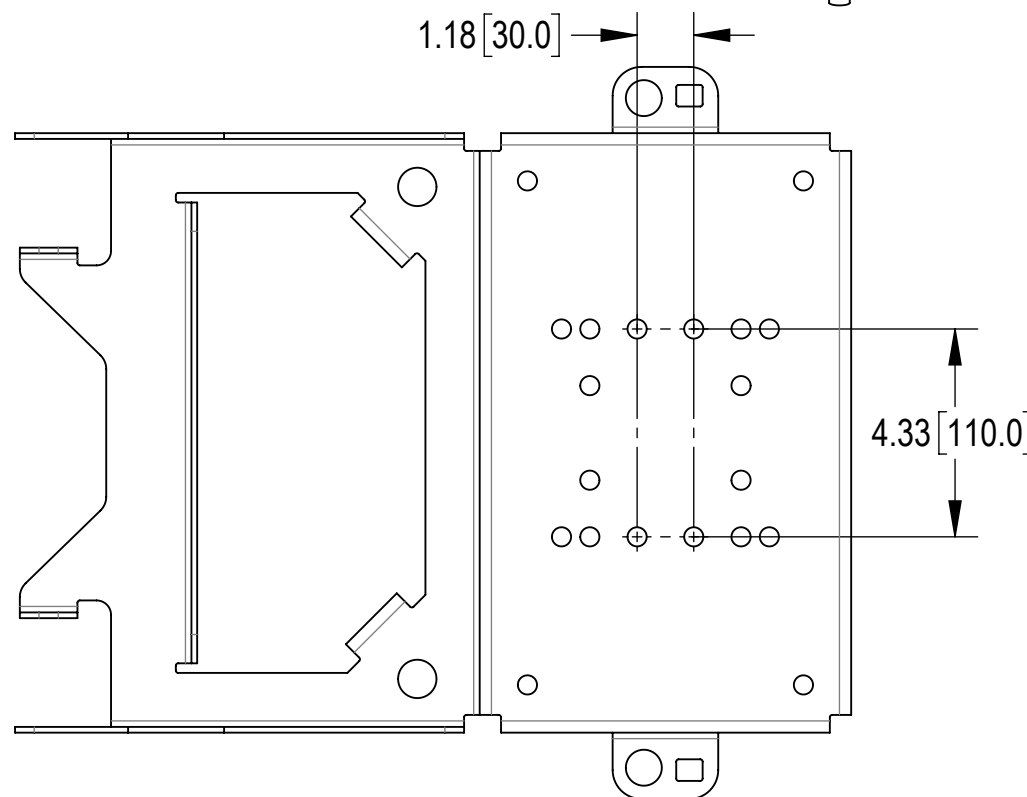
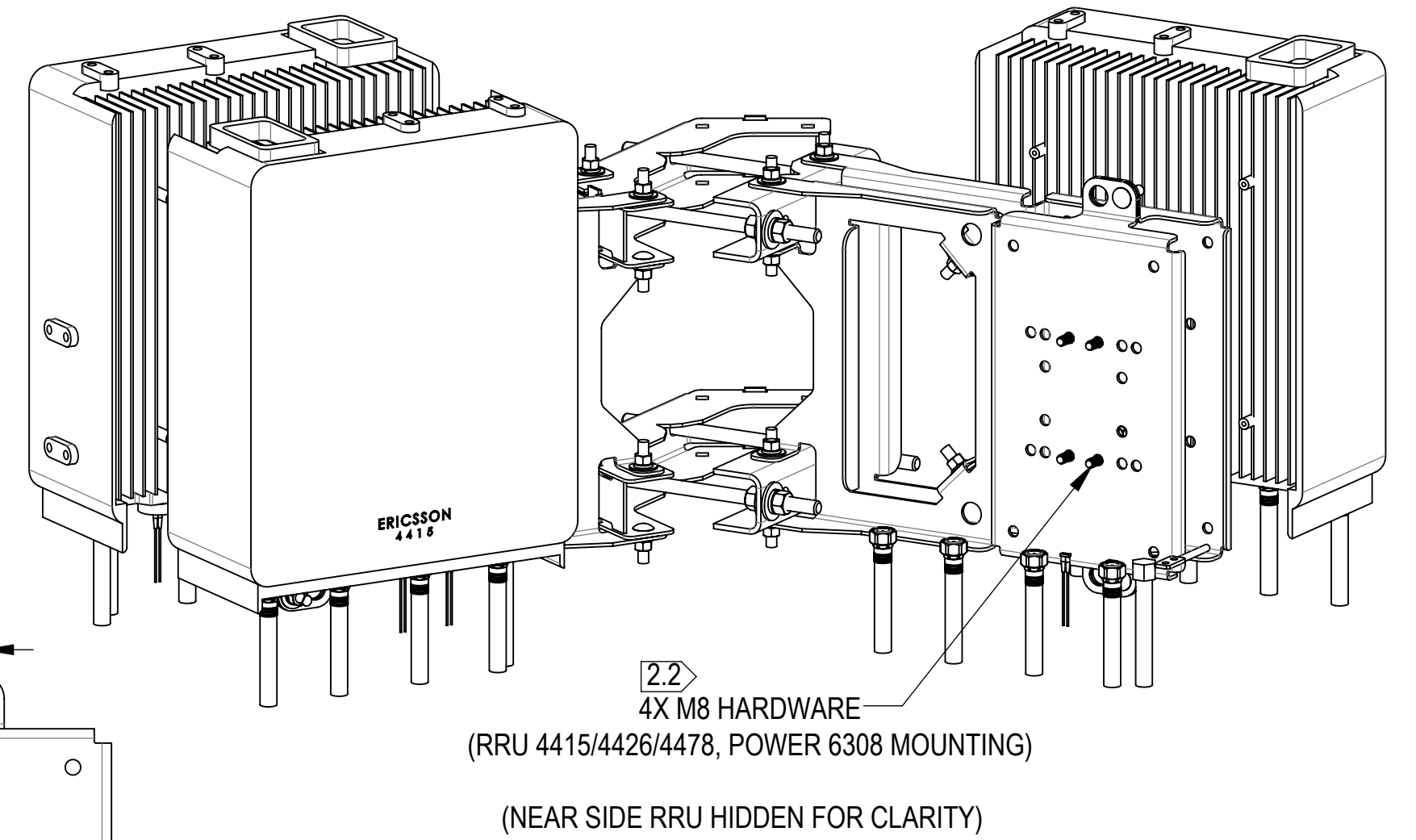
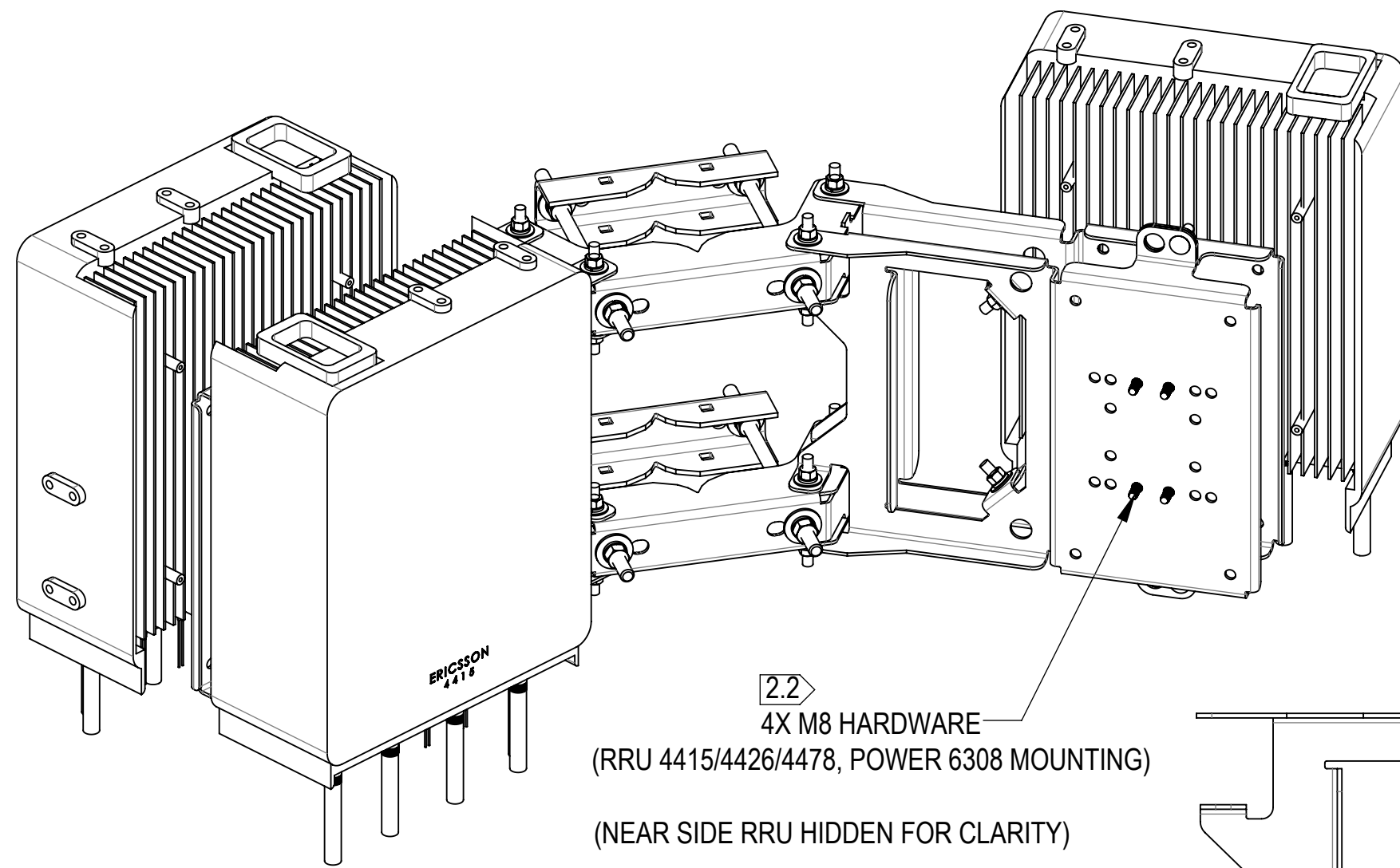
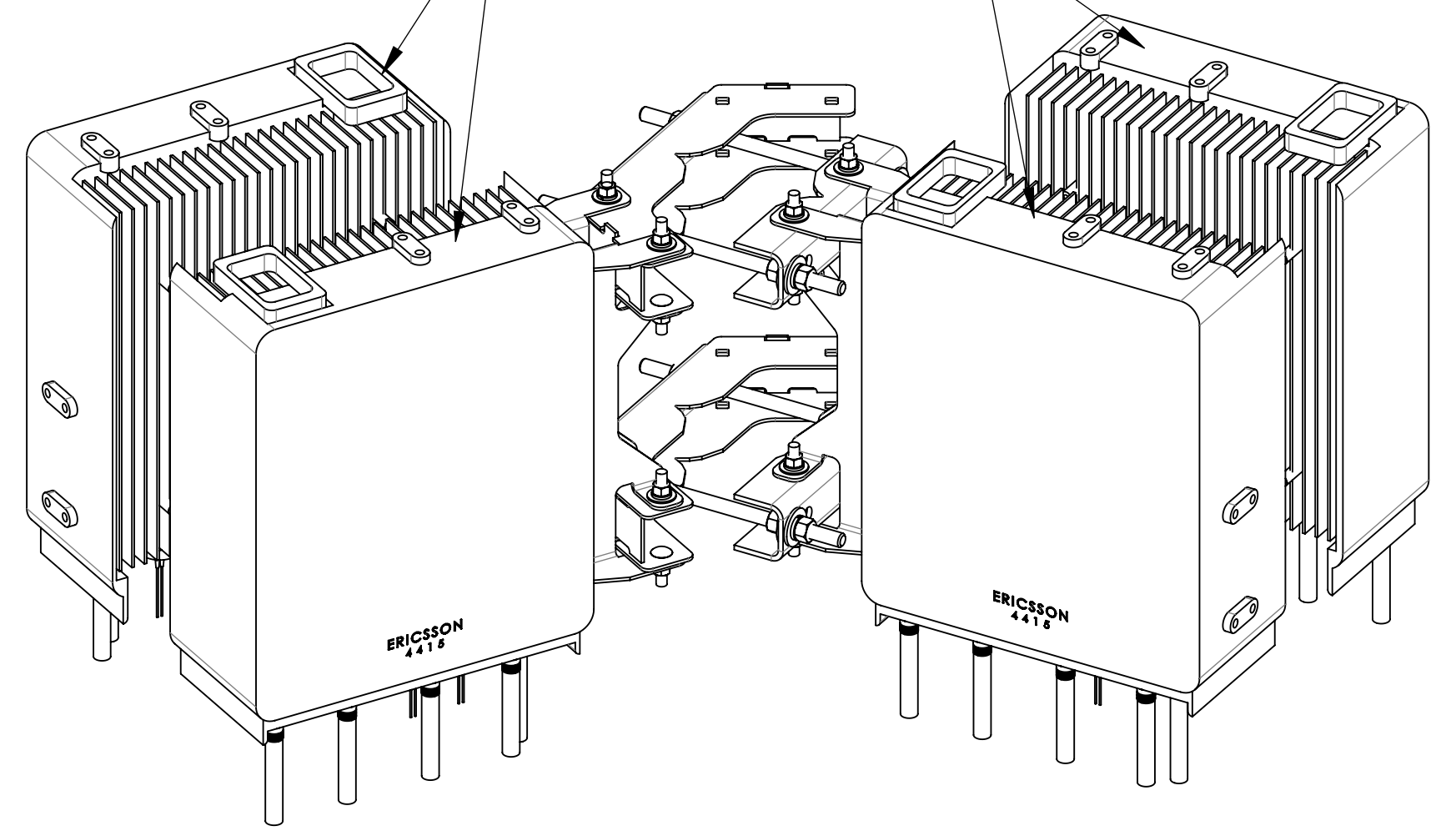
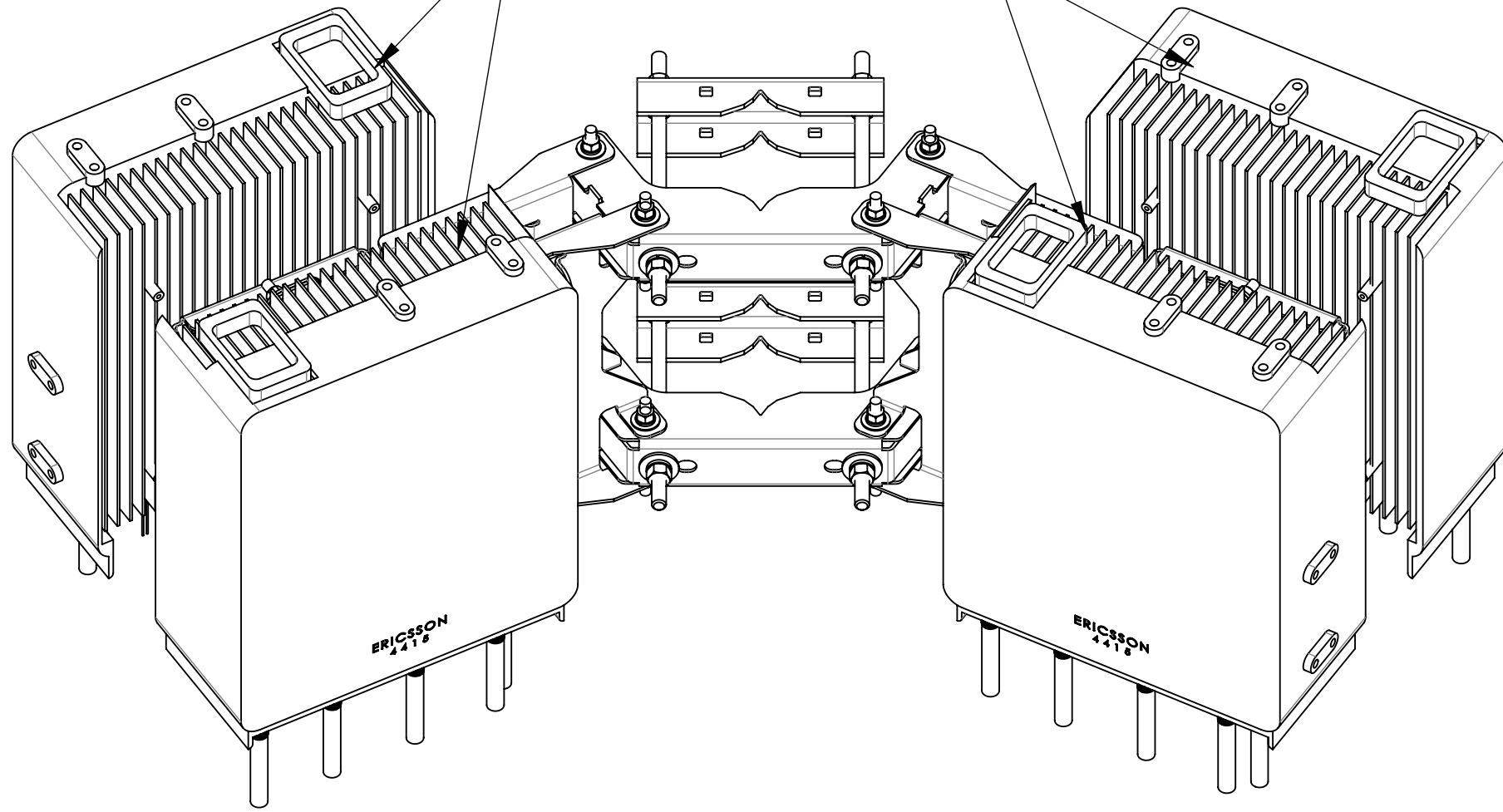
# BRACKET COMPATIBLE WITH 4415/4426/4478 RADIO, 6308 POWER MOUNTING ON RR-APEX4-E

## OPTION 1

## OPTION 2

RRU4415 SHOWN FOR REFERENCE ONLY  
(RRUs ORDERED SEPARATELY)

RRU4415 SHOWN FOR REFERENCE ONLY  
(RRUs ORDERED SEPARATELY)



### MOUNTING HOLES POSITION

COMMSCOPE, INC. OF NORTH CAROLINA				
TITLE RRH MOUNT,ERICSSON,4-RADIOS				
SIZE C	SCALE 1:12	DOCUMENT NO. RR-APEX4-E		
		DRAWING		SHEET
		VERSION 01	STATUS RE	REVISION B
				7 OF 7

4

3

2

1