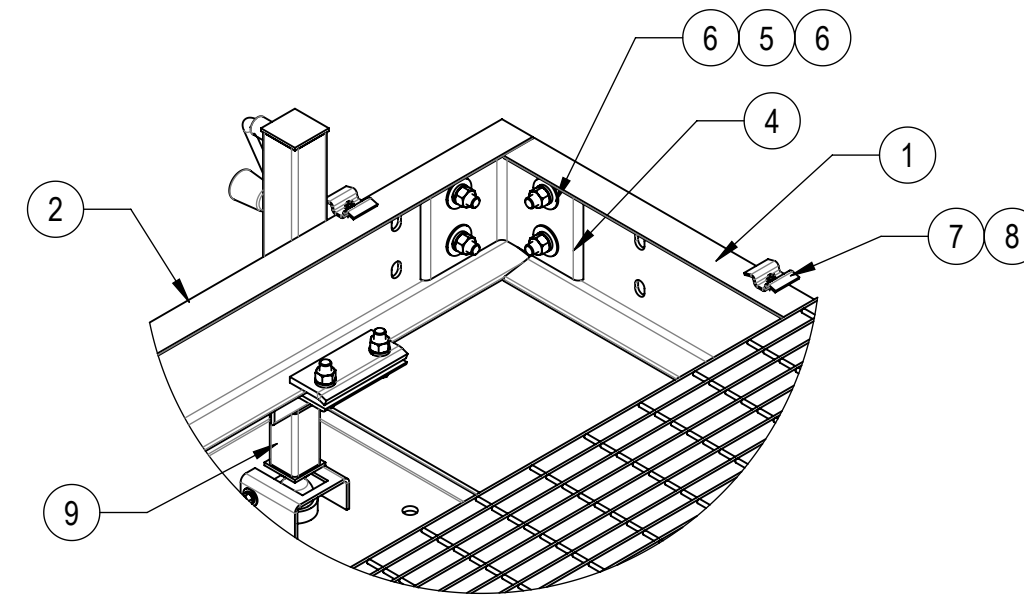
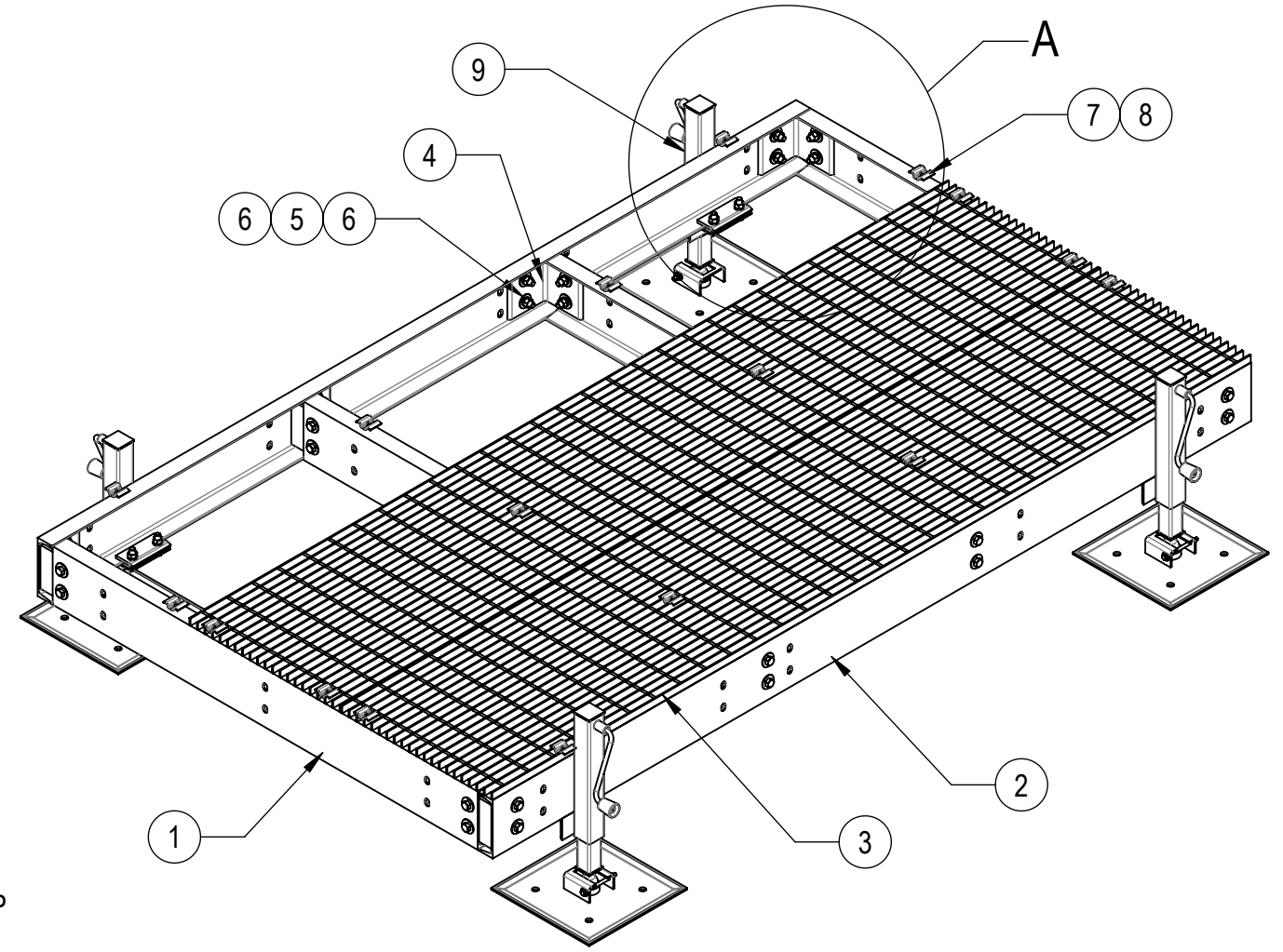
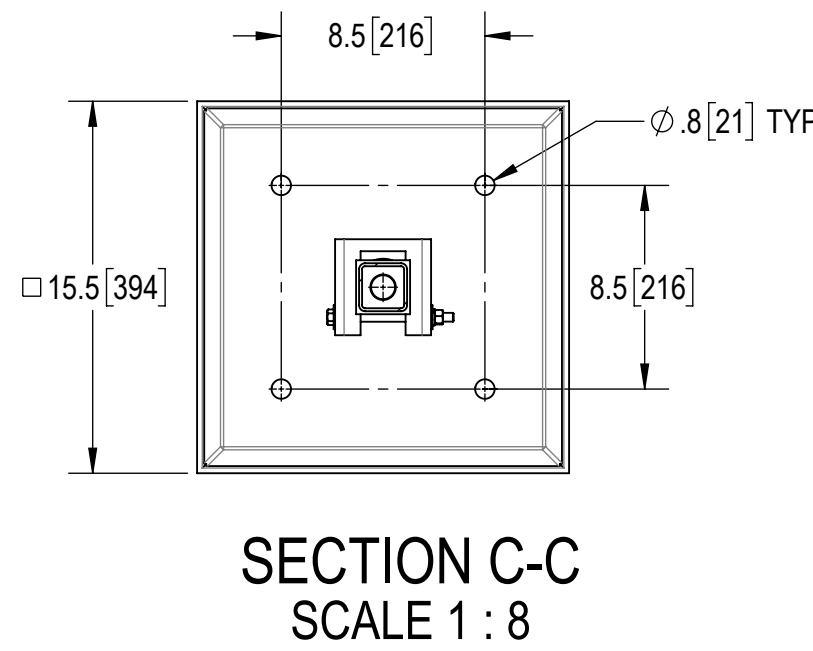
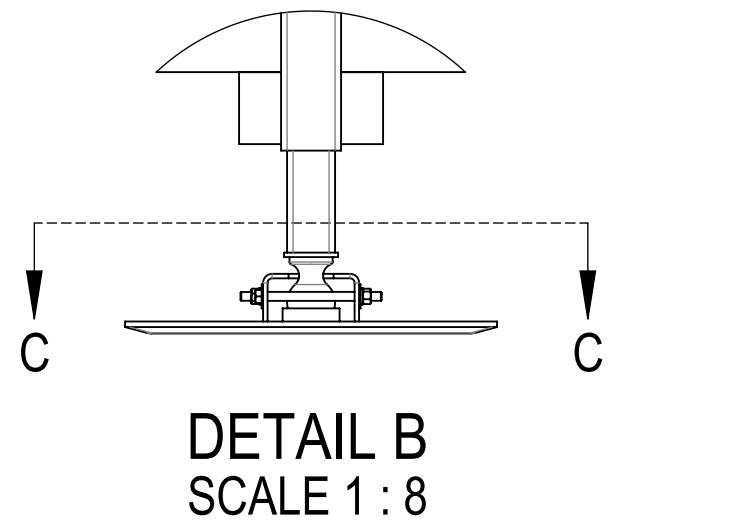
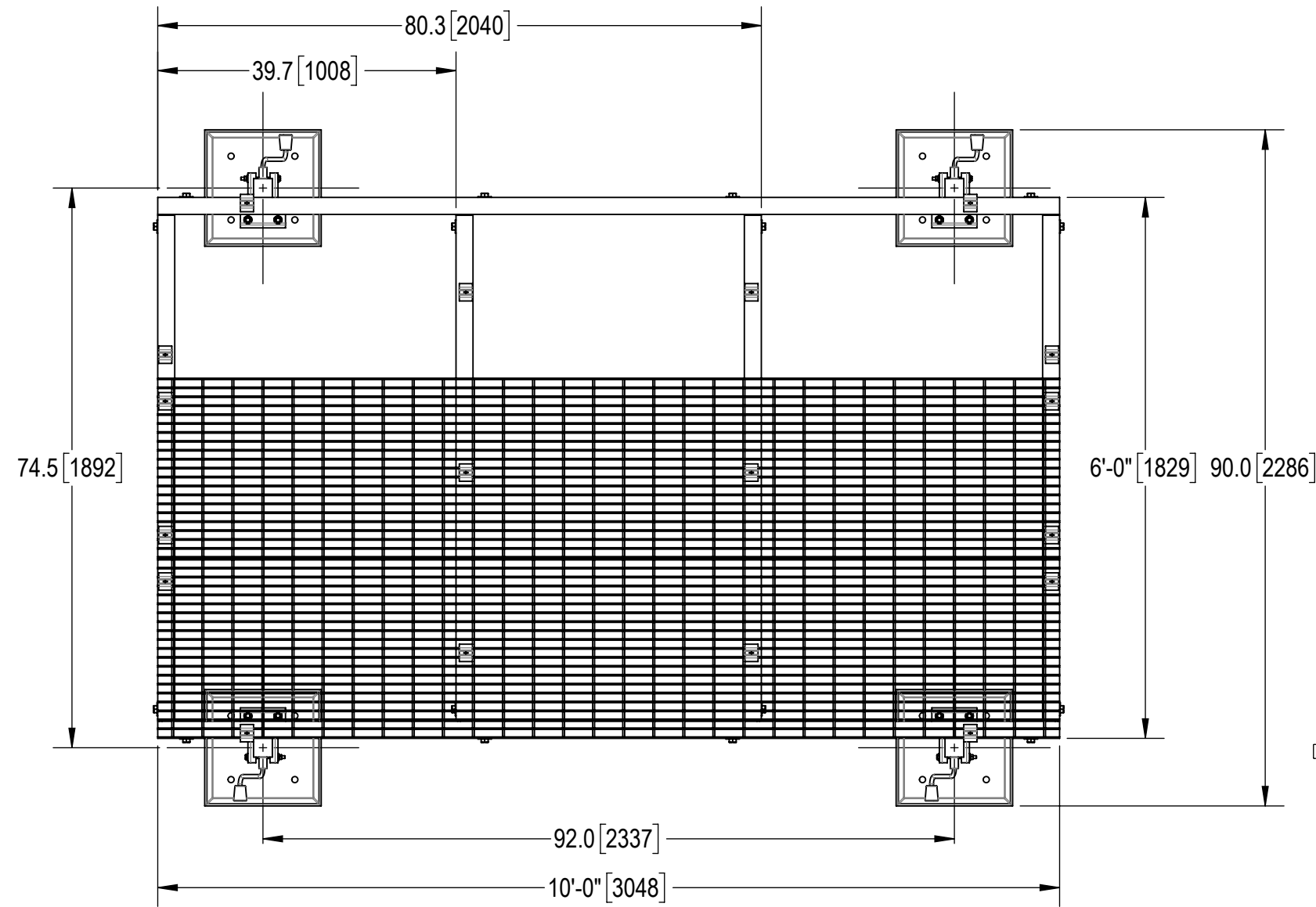
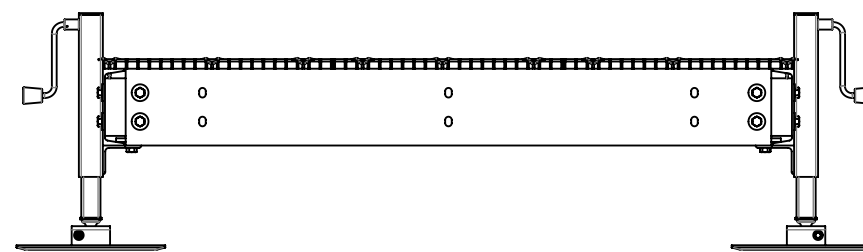
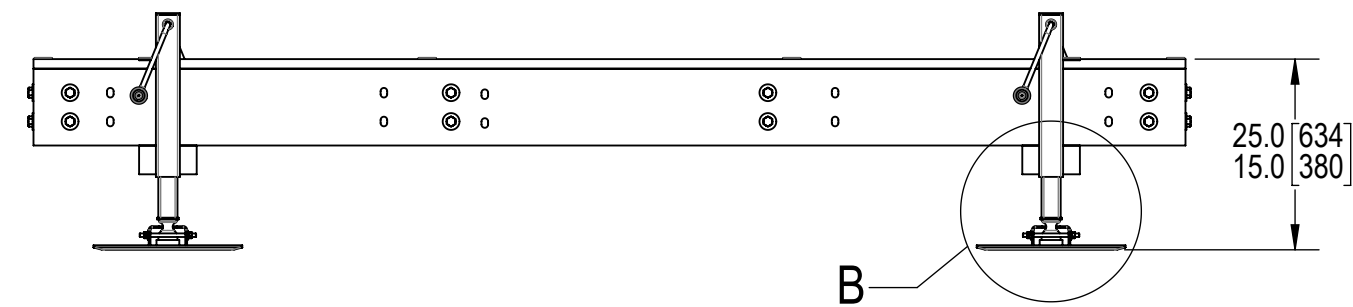


- 1.0 GENERAL NOTES
 1.1 ALL METRIC DIMENSIONS ARE IN BRACKETS [X.X]
 1.2 FOR PATENT INFO: <https://www.cs-pat.com>
 2.0 DESIGN NOTES
 3.0 MANUFACTURING/SPECIAL REQUIREMENTS
 3.1 TIGHTEN ALL BOLTS SECURING FLAT PLATES BY THE TURN-OF-NUT METHOD. TIGHTEN ALL U-BOLTS USING TURN-OF-NUT METHOD WITH ATTENTION TO LEAVE EQUAL DISTANCE AND EQUAL FORCE ON EACH LEG OF THE U-BOLT.
 4.0 TEST
 5.0 PACKAGING
 5.1 PACKAGING SHALL MEET COMMSCOPE REQUIREMENTS PER DOCUMENT IS-PL-3005
 5.2 PRINTED DOCUMENT TO BE PLACED INSIDE POLYBAG AND THEN IN SHIPPING CONTAINER
 5.3 EXTRA HARDWARE MAY BE SUPPLIED, BAGGED AND SHIPPED

REVISIONS			
REV.	DESCRIPTION	DATE	APPROVED
A	INITIAL RELEASE	DRR 12DEC11	TP
B	UPDATED DRAWING FORMAT	LL1090 22AUG24	YC1015 40203043CMO



DETAIL A SCALE 1:10
 HIDE BAR GRATING FOR CLARITY



COMPONENT PART NUMBERS PROVIDED FOR ASSEMBLY PURPOSES;
 INDIVIDUAL COMPONENTS MAY BE SHIPPED AS PARTS WITHIN AN INCLUDED KIT.

ITEM	PART NO.	DESCRIPTION	QTY.	WEIGHT	NOTE NO.
1	MTC8822061001	6' CENTER CHANNEL	4	63.61 LBS	
2	MTC7902101001	SIDE CHANNEL C8 X 11.5#	2	113.50 LBS	
3	MTC7902081001	24" X 120" BAR GRATING	3	141.45 LBS	
4	MTC790203	CHANNEL ADAPTER ANGLE	8	7.07 LBS	
5	GB-05205	5/8" X 2" GALV BOLT KIT	32	0.26 LBS	
6	GWF-05	5/8" GALV FLAT WASHER, 1.7OD	64	0.06 LBS	
7	MTC390324	BAR GRATING CLIP	18	0.17 LBS	
8	TS1220	12-24 X 2" SELF DRILLING SCREW	18	0.03 LBS	
9	EQ-P-AL	ADJ. LEG FOR EQUIPMENT PLATFORMS	4	56 LBS	

DENSITY	1205.29	lbs/in ³
MASS	4088.00	lbs
VOLUME	39214.28	in ³
SURFACE AREA	15.0"	
HEIGHT	120.0"	
LENGTH	90.0"	
WIDTH		

© 2024 CommScope, Inc. Confidential

COMMSCOPE, INC. OF NORTH CAROLINA

TOLERANCES
 1 PLACE .X[X] ± 0.12[3.0] 3 PLACE .XXX[X] ± 0.03[0.8]
 2 PLACE .XX[X] ± 0.06[1.5] ANGLES ± 2°

SAP MATERIAL MASTER
EQ-P0610-AL

FINISH: _____ MATERIAL: _____

NAME	DATE	TITLE
CE DRR	12DEC11	6' X 10' PLATFORM BASE W/4 AL LEGS
RW LL1090	08/23/2024	
AD YC1015	08/25/2024	
RE LL1090	08/26/2024	

SCALE: **1:24** DOCUMENT NO.: **EQ-P0610-AL**

SIZE	Auth Group	INSL	MODEL	DRAWING			SHEET			
C				VERSION	STATUS	REVISION	VERSION	STATUS	REVISION	1 OF 1
				00	RE	B	00	RE	B	