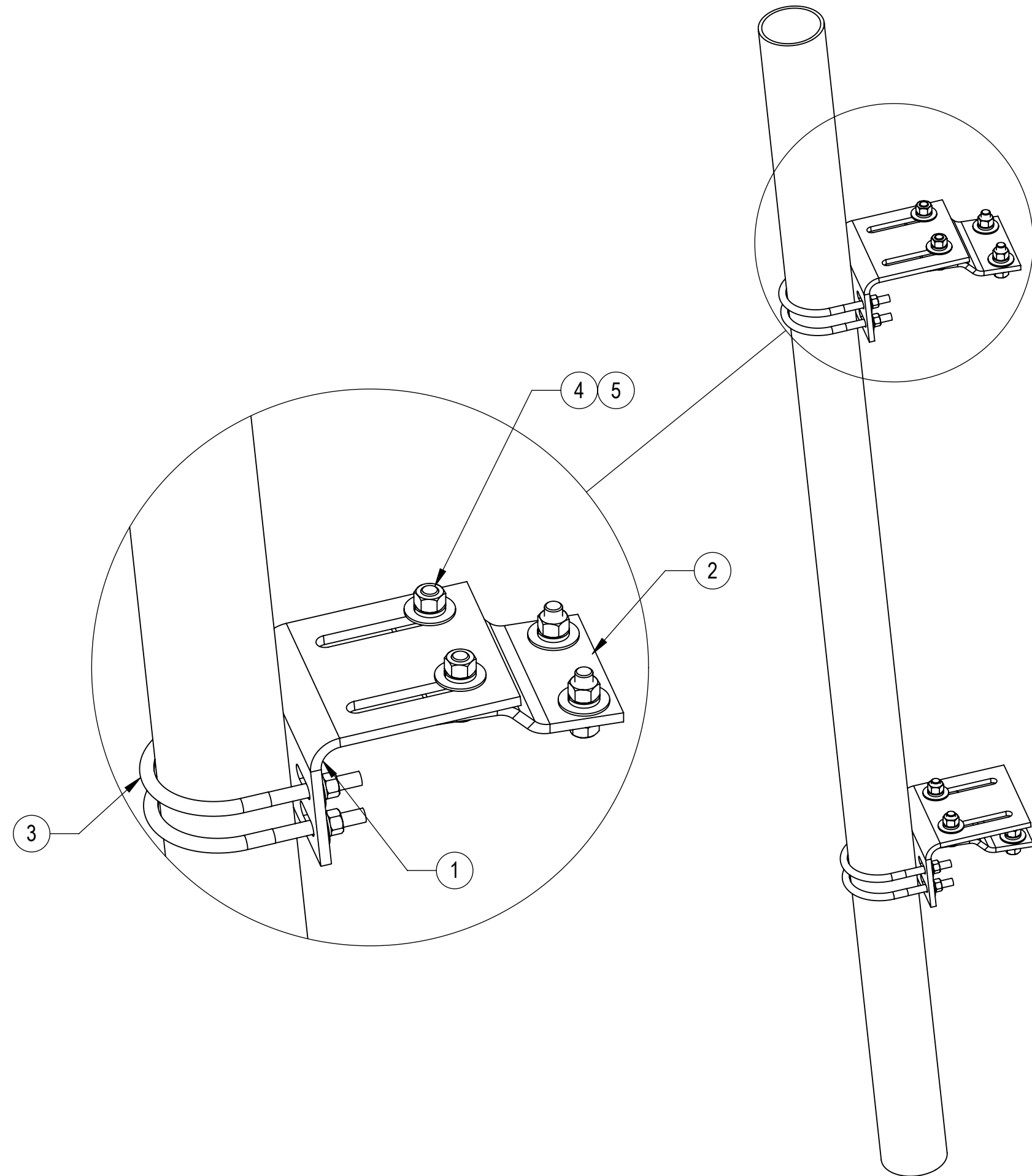
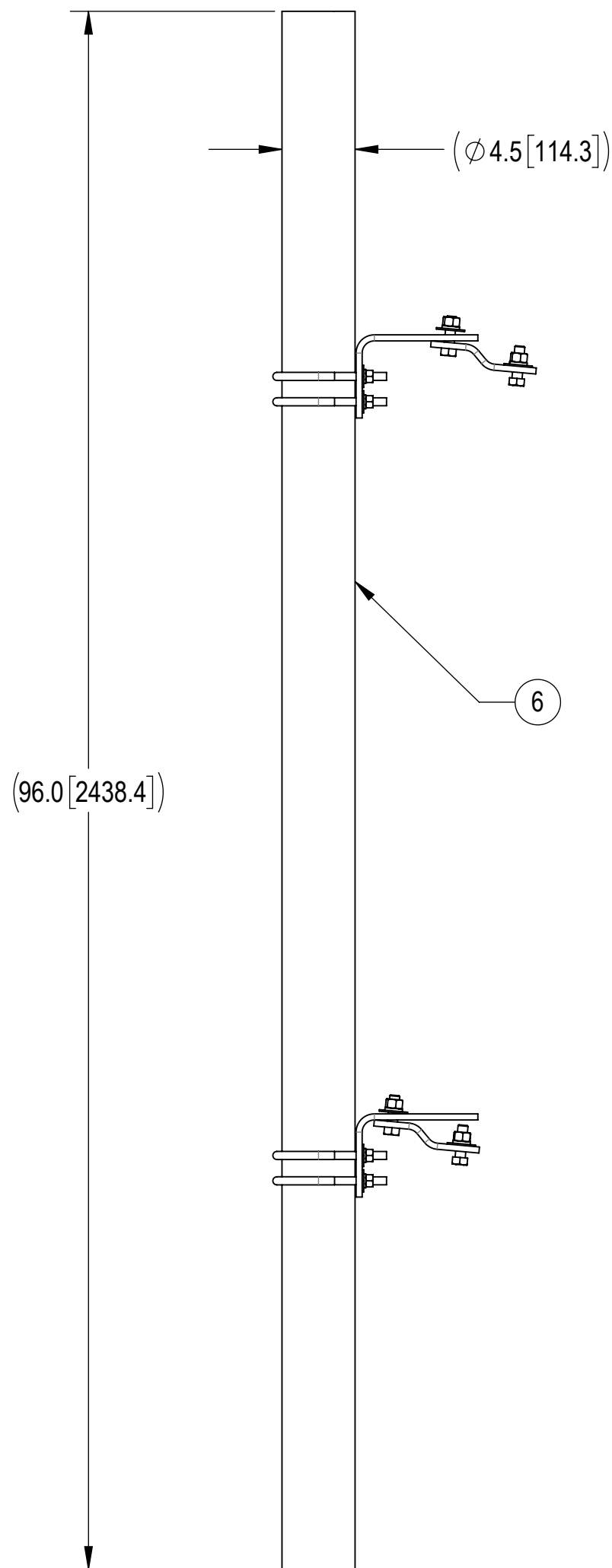


- 1.0 GENERAL NOTES
  - 1.1 ALL METRIC DIMENSIONS ARE IN BRACKETS [X.X]
  - 1.2 FOR PATENT INFO: <https://www.cs-pat.com>
- 2.0 DESIGN NOTES
- 3.0 MANUFACTURING/SPECIAL REQUIREMENTS
  - 3.1 TIGHTEN ALL BOLTS SECURING FLAT PLATES BY THE TURN-OF-NUT METHOD. TIGHTEN ALL U-BOLTS USING TURN-OF-NUT METHOD WITH ATTENTION TO LEAVE EQUAL DISTANCE AND EQUAL FORCE ON EACH LEG OF THE U-BOLT.
- 4.0 TEST
- 5.0 PACKAGING
  - 5.1 PACKAGING SHALL MEET COMMScope REQUIREMENTS PER DOCUMENT IS-PL-3005
  - 5.2 PRINTED DOCUMENT TO BE PLACED INSIDE POLYBAG AND THEN IN SHIPPING CONTAINER
  - 5.3 EXTRA HARDWARE MAY BE SUPPLIED, BAGGED AND SHIPPED

REVISIONS			
REV.	DESCRIPTION	DATE	APPROVED
C	INDIVIDUAL DRAWING INITIAL RELEASE	YMENG 06AUG24	YC1015 40201892CMO



COMPONENT PART NUMBERS PROVIDED FOR ASSEMBLY PURPOSES;  
INDIVIDUAL COMPONENTS MAY BE SHIPPED AS PARTS WITHIN AN INCLUDED KIT.

ITEM	PART NO.	DESCRIPTION	QTY.	WEIGHT	NOTE NO.
1	PMSL02	L-BRACKET	2	7.70 LBS	
2	PMSL01	S-BRACKET	2	4.30 LBS	
3	GUB-4456	1/2" X 4-5/8" X 6-1/2" GALV U-BOLT	4	0.90 LBS	
4	GB-05205	5/8" X 2" GALV BOLT KIT	8	0.26 LBS	
5	GWf-05	5/8" GALV FLAT WASHER, 1.7OD	8	0.06 LBS	
6	MT-654-96	4.5" O.D. X 96" PIPE	1	87.67 LBS	

DENSITY		lbs/in <sup>3</sup>
MASS	119.43	lbs
VOLUME	420.65	in <sup>3</sup>
SURFACE AREA	3407.51	in <sup>2</sup>
HEIGHT	96.0"	
LENGTH	16.2"	
WIDTH	7.0"	

<b>COMMScope, INC. OF NORTH CAROLINA</b>			
TOLERANCES		SAP MATERIAL MASTER	
1 PLACE .X[X] ± .12[3.0]	3 PLACE .XXX[X] ± .030[0.8]	<b>PM-SL4-96</b>	
2 PLACE .XX[X] ± .06[1.5]	ANGLES ± 2°		
FINISH		MATERIAL	
UNLESS OTHERWISE SPECIFIED DIMENSIONS ARE IN INCHES INTERPRET PER ANSI Y 14.5M-1994	NAME	DATE	TITLE
	CE YMENG	06AUG24	<b>SLIDER PIPE MOUNT KIT, 4 1/2" X 96"</b>
	RW YMENG	08/12/2024	
	AD YC1015	08/12/2024	
	RE YMENG	08/12/2024	
ECN 40201892CMO			
SCALE	DOCUMENT NO.		
<b>1:1</b>	<b>PM-SL4-96</b>		
SIZE	Auth Group	INSL	MODEL
<b>C</b>			
VERSION		DRAWING	
01	RE	C	00
STATUS		REVISION	
RE	C	00	RE
			SHEET
			1 OF 1