

- 1.0 GENERAL NOTES
 - 1.1 ALL DIMENSIONS ARE IN MM, IMPERIAL DIMENSIONS ARE IN INCHES AND SHOWN IN BRACKETS [X.X]
- 2.0 DESIGN NOTES
- 3.0 MANUFACTURING/SPECIAL REQUIREMENTS
 - 3.1 TIGHTEN HARDWARES, TORQUE VALUE ARE SHOWN BELOW AS REFERENCE,
 - M5: TORQUE 23.0 IN-LB OR 2.6 N-M
 - M6: TORQUE 40.0 IN-LB OR 4.5 N-M (W/ CLIP NUT)
 - M6: TORQUE 46.0 IN-LB OR 5.2 N-M (W/ THREADED CAST AL)
 - M6: TORQUE 75.0 IN-LB OR 8.5 N-M (W/ STEEL NUT)
 - M8: TORQUE 6.6 FT-LB OR 9.0 N-M (W/ THREADED CAST AL)
 - 3.2 CONFIGURATIONS AND QUANTITY OF EQUIPMENTS IN INSTALLATION ARE LISTED ON TABLE.
 - 3.3 EQUIPMENT INSTALLATION INSTRUCTION ON PAGE 2.

REVISIONS			
REV.	DESCRIPTION	DATE	APPROVED
A	INITIAL RELEASE	CB1074 13APR2020	CB1074 8000038708
B	ADD NEW SHEET 5	MMCFALL 27AUG20	MMCFALL 8000042529
C	ADD NEW SHEET 9	MMCFALL 30JUN21	MMCFALL 12605
D	RE LAYOUT	NSUN 29JUN23	YC1015 40171472CMO
E	ADDED SHEET 3 & SHEET 9-14	MS1288 07AUG24	LX1002 40201692CMO

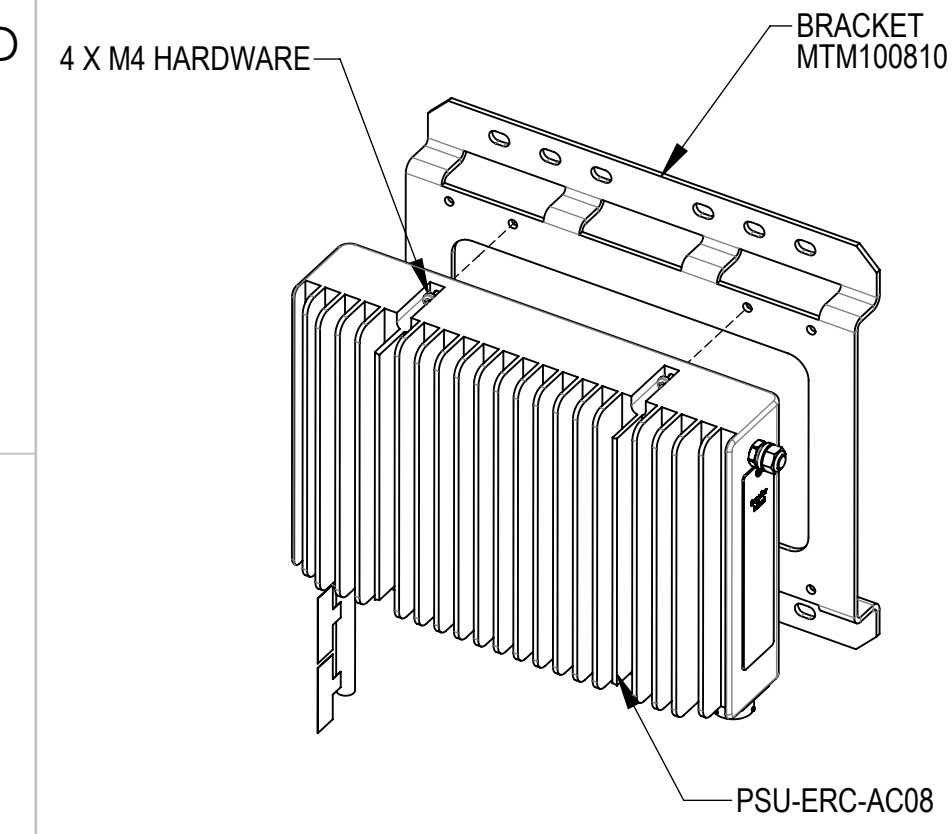
ERICSSON CONFIGURATION	3.2 APPROVED ERICSSON RADIO CONFIGURATIONS											
	8843	4449	2203	4455	AC08	6302	4478	4890	4490	6304	6308	DIPLEXER SDX1926Q-43 / CBC1726T-4310
1	1	1			4							1
2	1	1				2						1
3			5(10)									1
4		1		1	2							1
5					2		1	1				1
6							1	1		1		1
7							1	1			1	1
8					2			1	1			1
9								1	1	1		1
10								1	1		1	1

NOKIA CONFIGURATION	3.2 APPROVED NOKIA RADIO CONFIGURATIONS			
	AHFIB / AHFIA / AHLBBA	DELTA 1.8KW / 2.0KW	ABB CC1600	DIPLEXER SDX1926Q-43 / CBC1726T-4310
1	1 OR 2	1 OR 2		1
2	1 OR 2		1 OR 2	1

COMMSCOPE, INC. OF NORTH CAROLINA												
TOLERANCES						SAP MATERIAL MASTER						
1 PLACE .X ±			3 PLACE .XXX ±			2 PLACE .XX ±			ANGLES ±			
FINISH						MATERIAL						
UNLESS OTHERWISE SPECIFIED DIMENSIONS ARE IN INCHES INTERPRET PER ANSI Y 14.5M-1994	CE	CB1074	04/08/2020	TITLE PC30 RRU/PSU INSTALL INSTRUCTIONS								
	RW	NSUN	08/18/2024									
	RV											
	AD	LX1002	08/20/2024									
	RE	DM1121	08/20/2024									
ECN 40201692CMO				SCALE	DOCUMENT NO.							
				1:12	MTM1103-RRU-INSTALL							
SIZE		WORK AREA	INSL	MODEL			DRAWING					SHEET
C				VERSION	STATUS	REVISION	VERSION	STATUS	REVISION		1 OF 16	
				04	RE	E	07	RE	E			

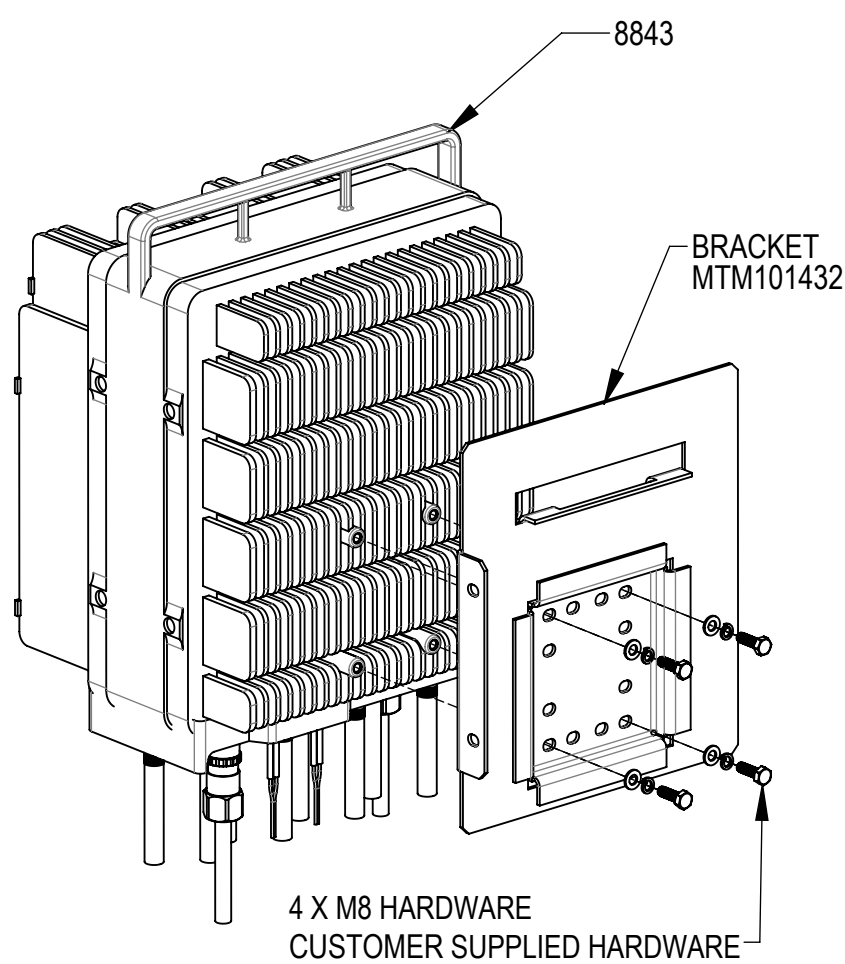
DENSITY	lbs/in ³
MASS	lbs
VOLUME	in ³
SURFACE AREA	in ²
HEIGHT	
LENGTH	
WIDTH	

ERICSSON EQUIPMENT MOUNTING INSTALLATION



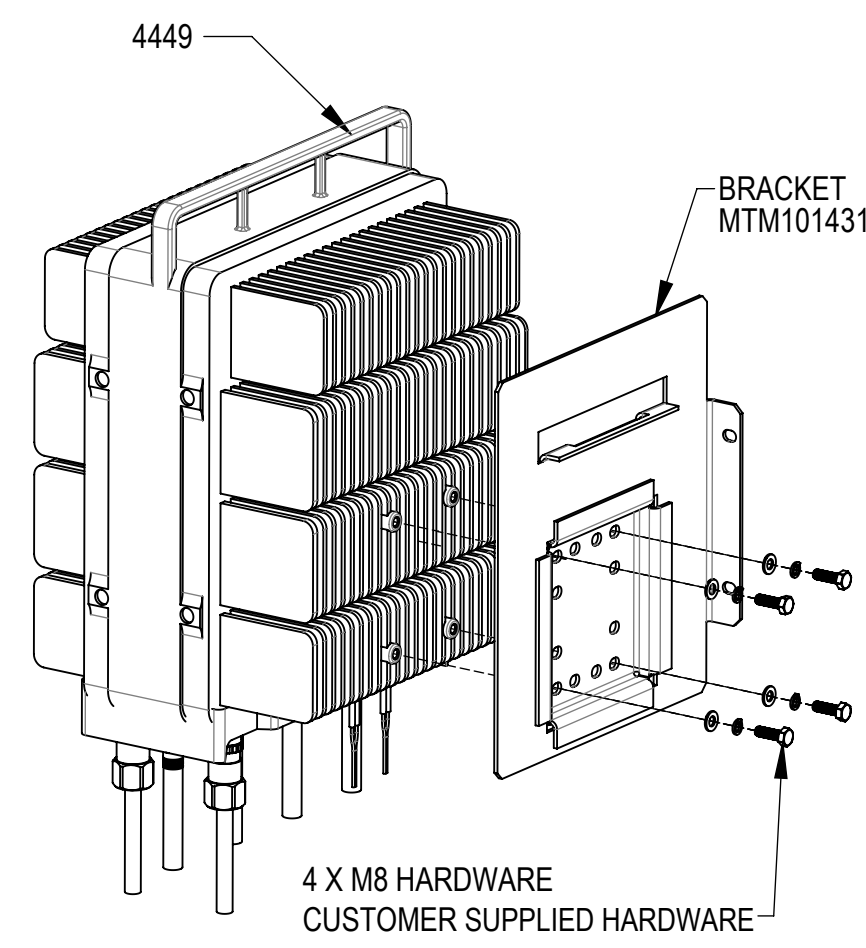
PSU-ERC-AC08:

INSTALL PSU AC08 TO THE BRACKET USING M4 CAPTIVE HARDWARE PROVIDED WITH THE PSU.



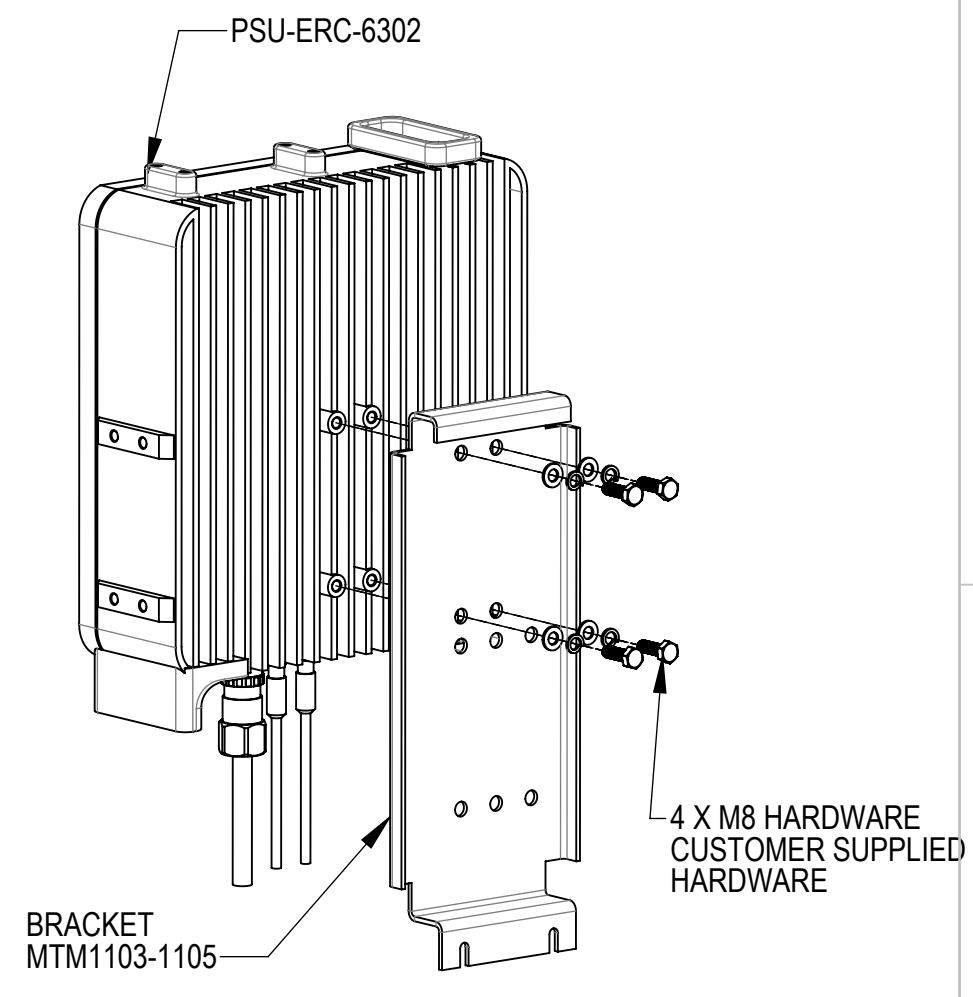
8843:

INSTALL 8843 TO THE MOUNTING BRACKET MTM101432 USING 4 SETS OF M8 HEX BOLT, LOCK WASHER AND FLAT WASHER AS SHOWN



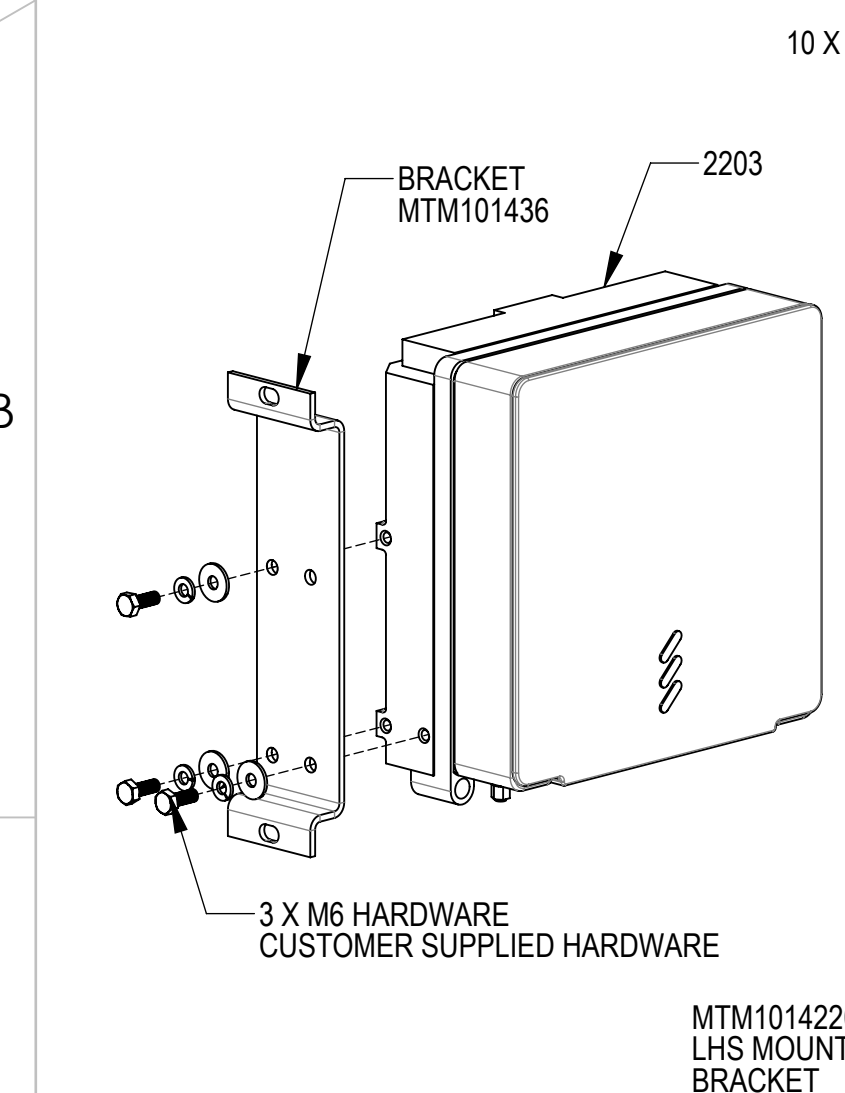
4449:

INSTALL 4449 TO THE MOUNTING BRACKET MTM101431 USING 4 SETS OF M8 HEX BOLT, LOCK WASHER AND FLAT WASHER AS SHOWN



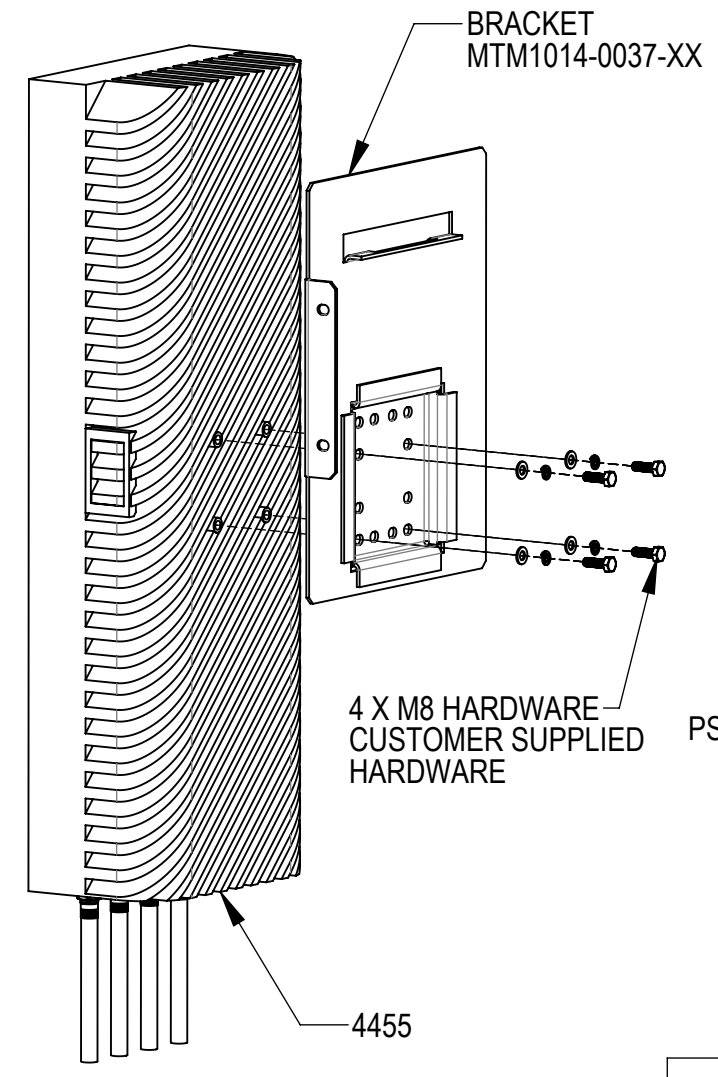
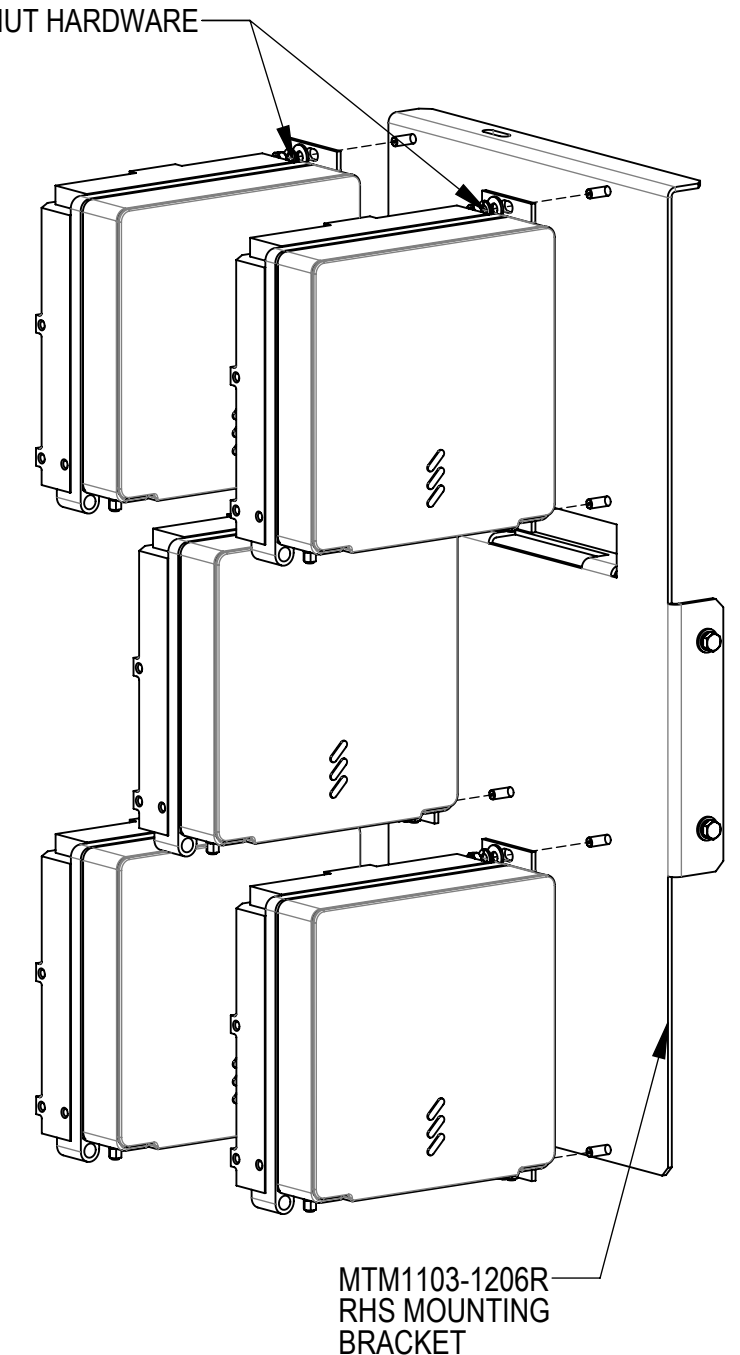
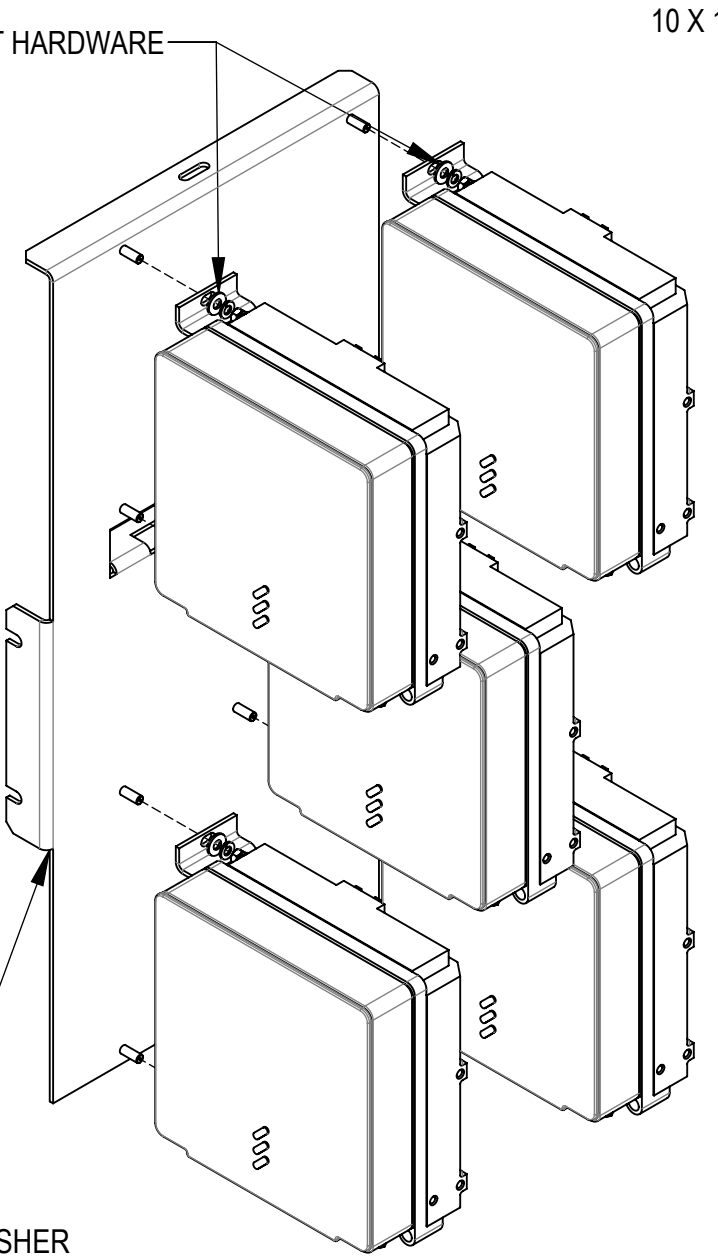
PSU-ERC-6302 BACK:

INSTALL PSU 6302 TO THE MOUNTING BRACKET MTM1103-1105 USING 4 SETS OF M8 HEX BOLT, LOCK WASHER AND FLAT WASHER AS SHOWN



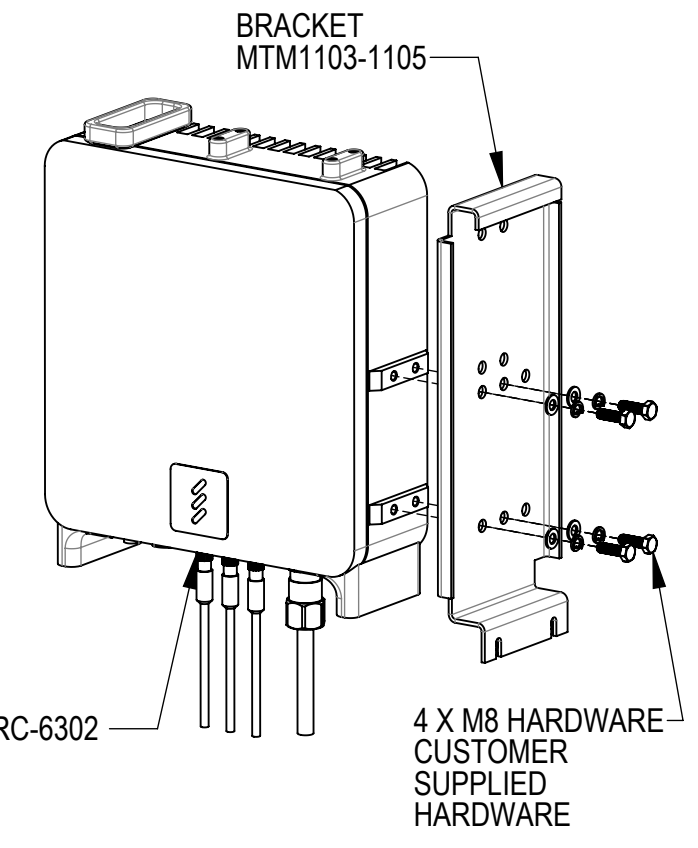
2203:

- A) INSTALL 2203 TO THE MOUNTING BRACKET MTM101436 USING 3 SETS OF M6 HEX BOLT, LOCK WASHER AND FLAT WASHER AS SHOWN
- B) INSTALL 2203 WITH BRACKET TO THE RHS MOUNTING BRACKET USING 10 SETS OF 1/4" HEX NUT, LOCK WASHER AND FLAT WASHER AS SHOWN
- C) INSTALL 2203 WITH BRACKET TO THE LHS MOUNTING BRACKET USING 10 SETS OF 1/4" HEX NUT, LOCK WASHER AND FLAT WASHER AS SHOWN



4455:

INSTALL 4455 TO THE MOUNTING BRACKET MTM1014-0037-XX USING 4 SETS OF M8 HEX BOLT, LOCK WASHER AND FLAT WASHER AS SHOWN

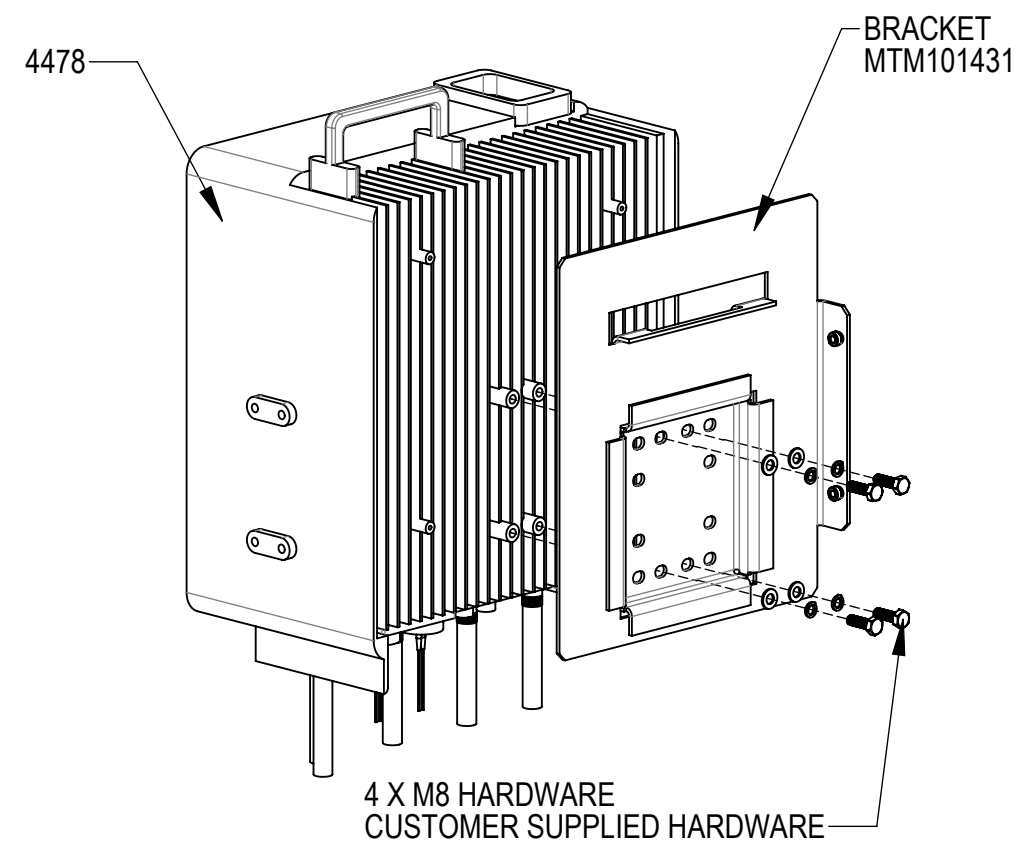


PSU-ERC-6302 SIDE:

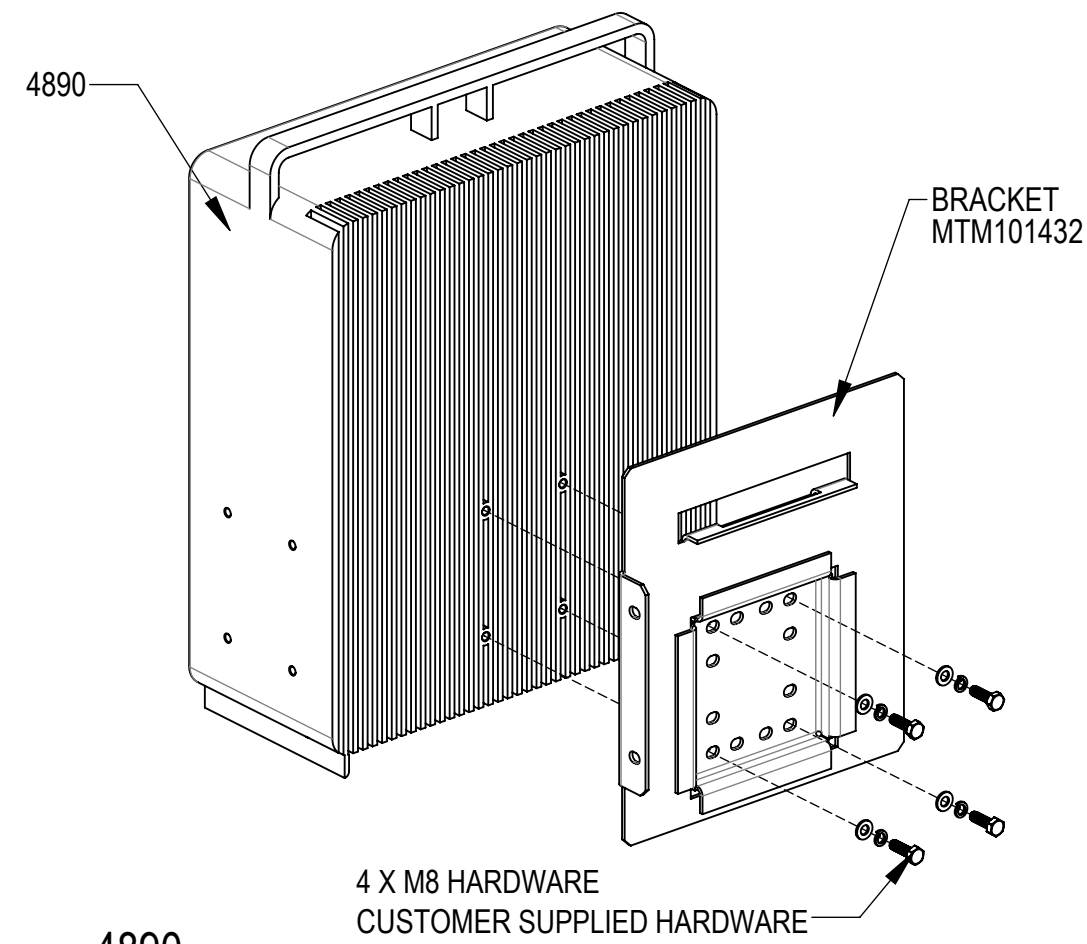
INSTALL PSU 6302 TO THE MOUNTING BRACKET MTM1103-1105 USING 4 SETS OF M8 HEX BOLT, LOCK WASHER AND FLAT WASHER AS SHOWN

COMMSCOPE, INC. OF NORTH CAROLINA				
TITLE PC30 RRU/PSU INSTALL INSTRUCTIONS				
SIZE C	SCALE 1:12	DOCUMENT NO. MTM1103-RRU-INSTALL		
		DRAWING		SHEET
		VERSION 07	STATUS RE	REVISION E
				2 OF 16

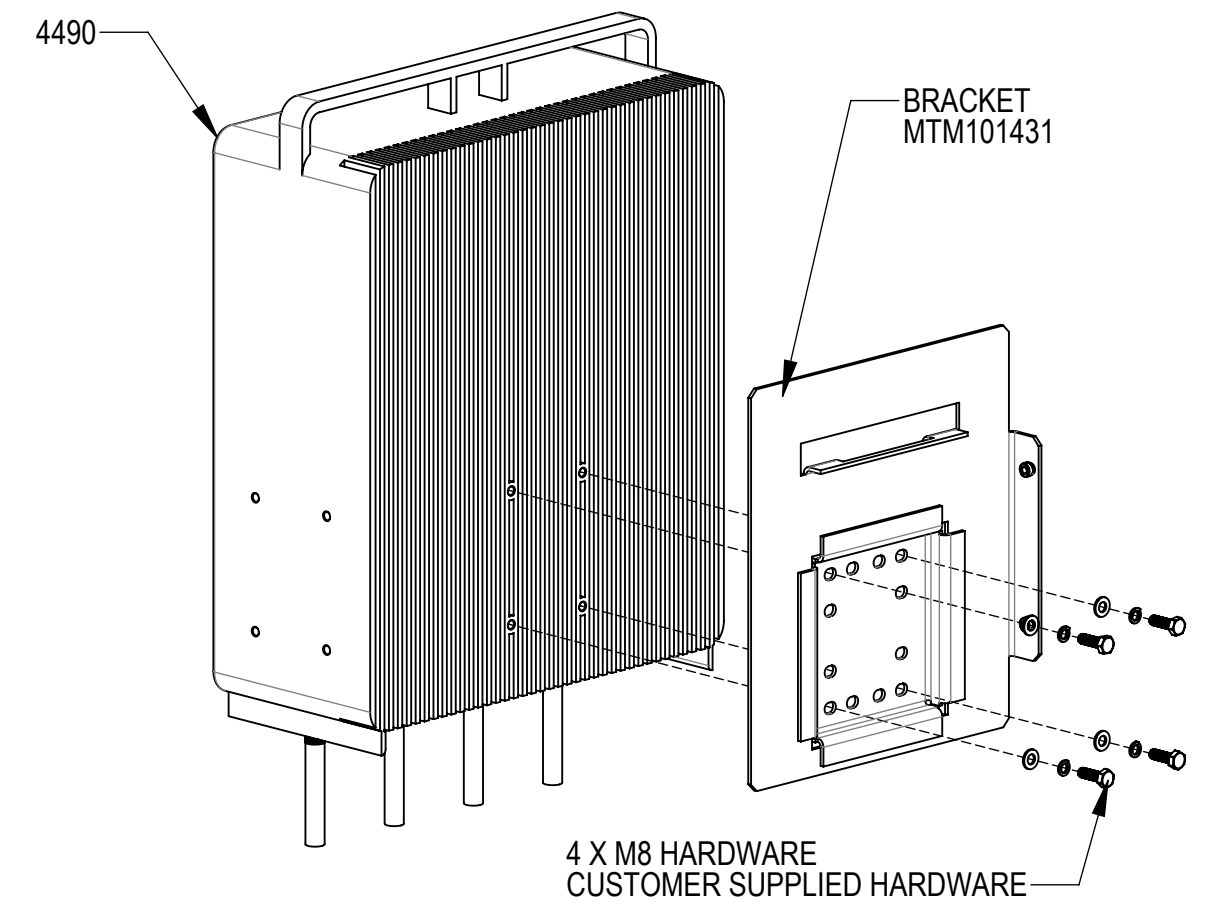
ERICSSON EQUIPMENT MOUNTING INSTALLATION



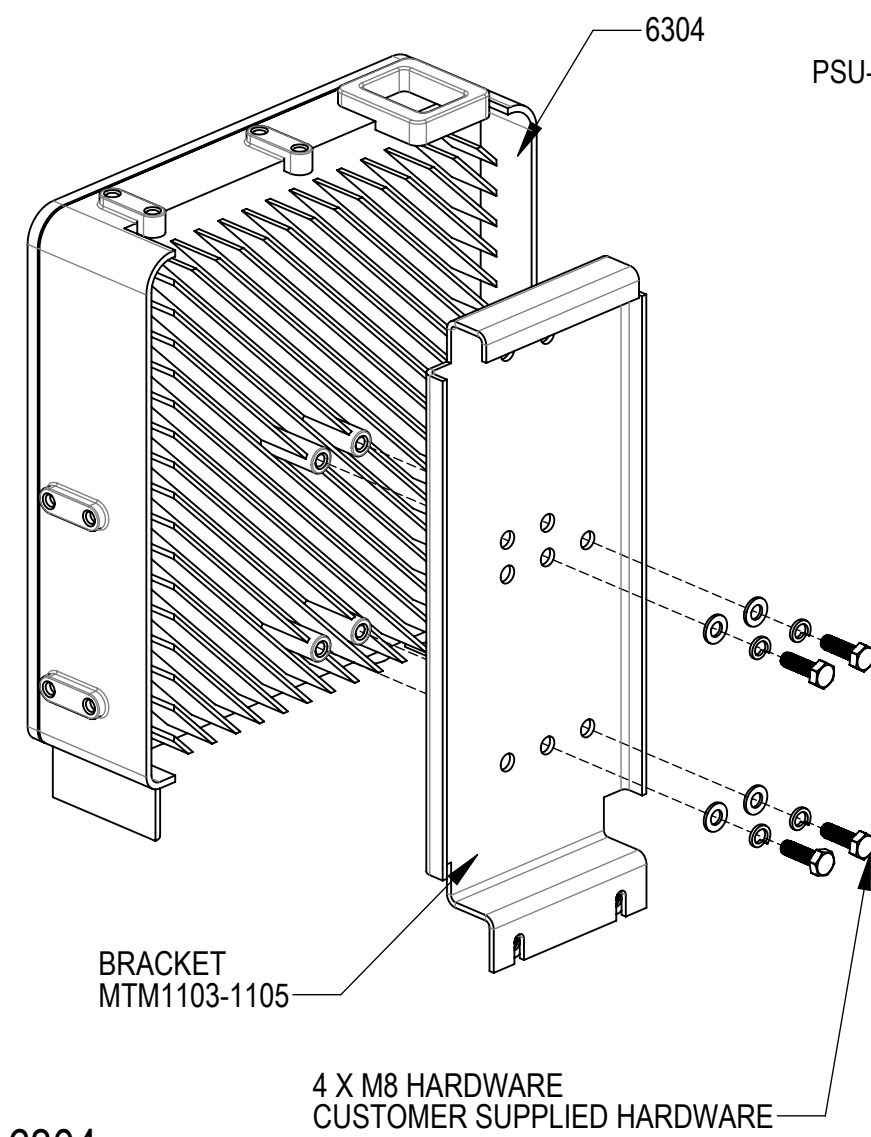
4478:
 INSTALL 4478 TO THE MOUNTING BRACKET MTM101431 USING 4 SETS OF M8 HEX BOLT, LOCK WASHER AND FLAT WASHER AS SHOWN



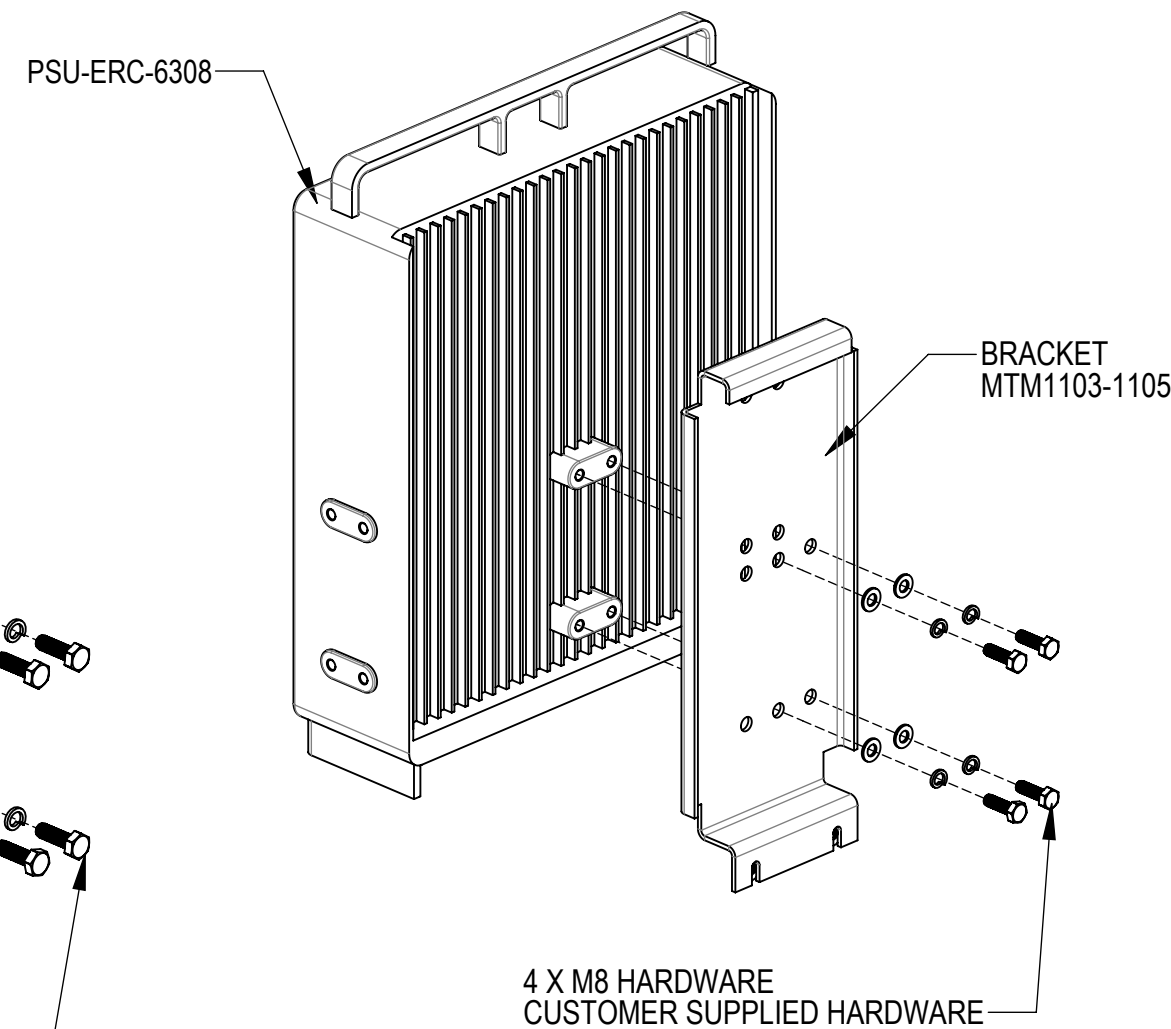
4890:
 INSTALL 4890 TO THE MOUNTING BRACKET MTM101432 USING 4 SETS OF M8 HEX BOLT, LOCK WASHER AND FLAT WASHER AS SHOWN



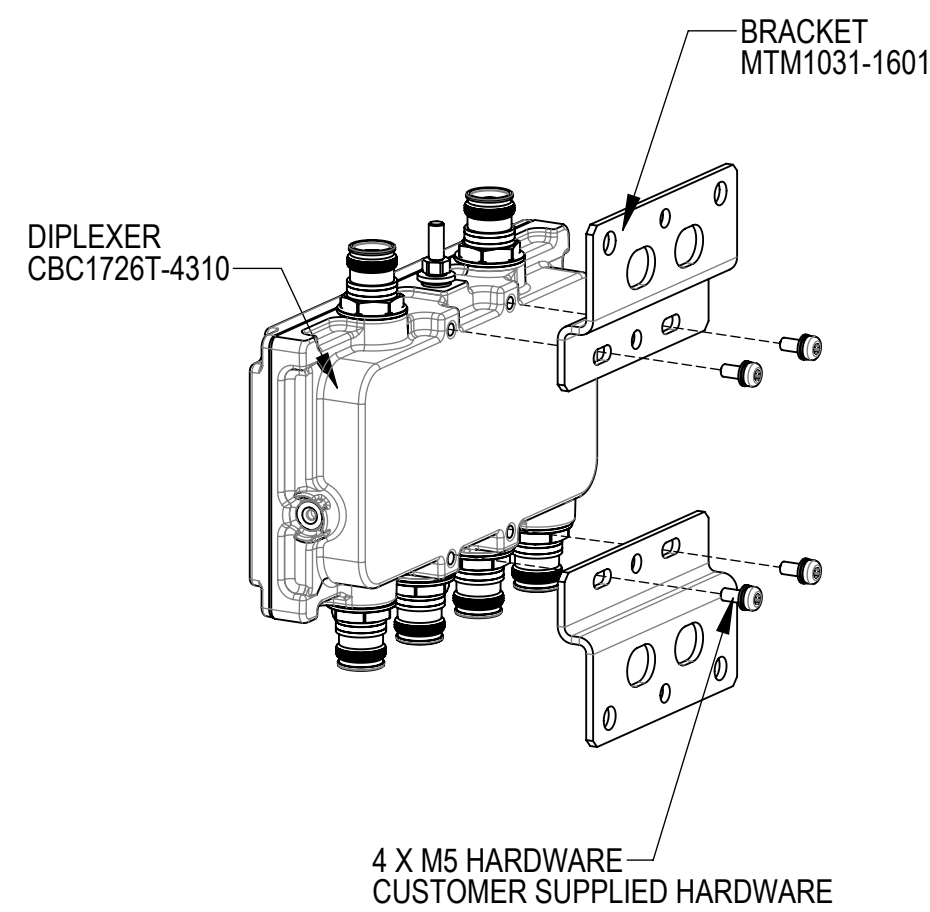
4490:
 INSTALL 4490 TO THE MOUNTING BRACKET MTM101431 USING 4 SETS OF M8 HEX BOLT, LOCK WASHER AND FLAT WASHER AS SHOWN



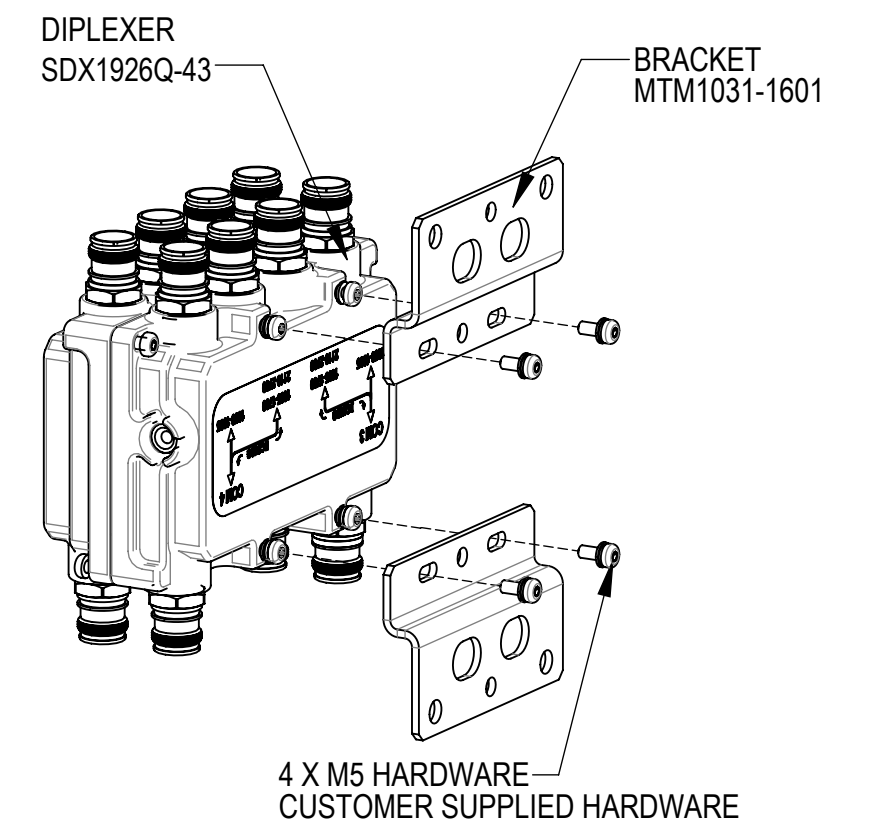
6304:
 INSTALL 6304 TO THE MOUNTING BRACKET MTM1103-1105 USING 4 SETS OF M8 HEX BOLT, LOCK WASHER AND FLAT WASHER AS SHOWN



PSU-ERC-6308 BACK:
 INSTALL PSU 6308 TO THE MOUNTING BRACKET MTM1103-1105 USING 4 SETS OF M8 HEX BOLT, LOCK WASHER AND FLAT WASHER AS SHOWN



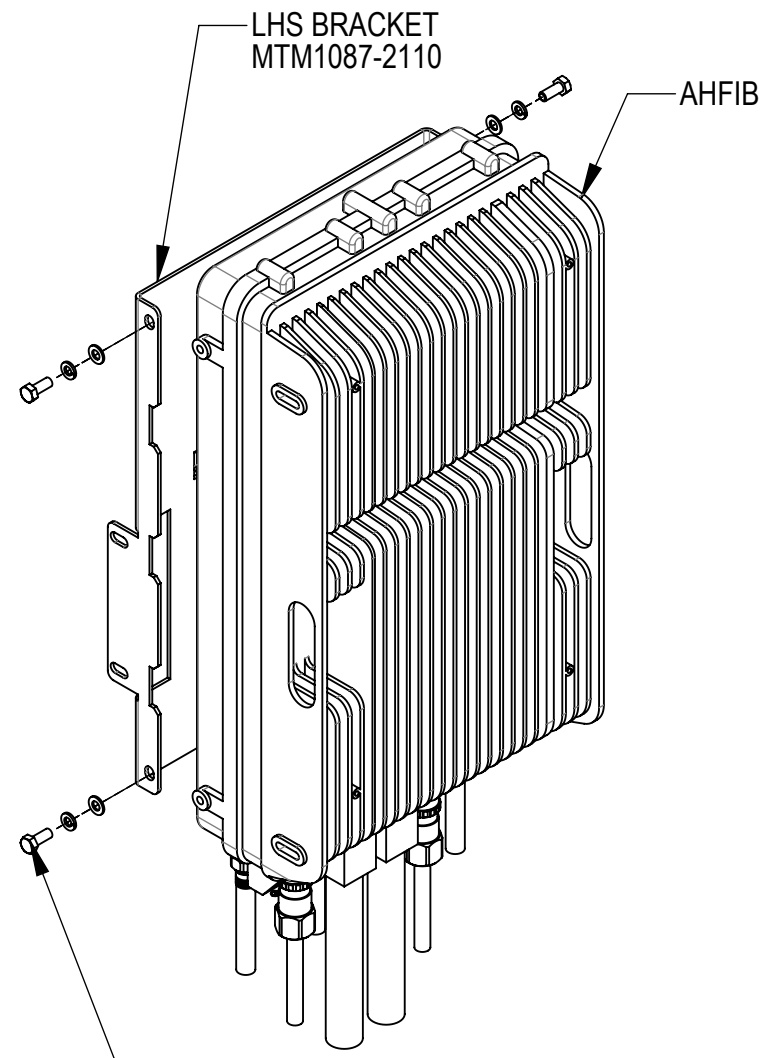
DIPLEXER CBC1726T-4310:
 INSTALL DIPLEXER TO THE MOUNTING BRACKET MTM1031-1601 USING 4 SETS OF M5 HEX BOLT, LOCK WASHER AND FLAT WASHER AS SHOWN



DIPLEXER SDX1926Q-43:
 INSTALL DIPLEXER TO THE MOUNTING BRACKET MTM1031-1601 USING 4 SETS OF M5 HEX BOLT, LOCK WASHER AND FLAT WASHER AS SHOWN

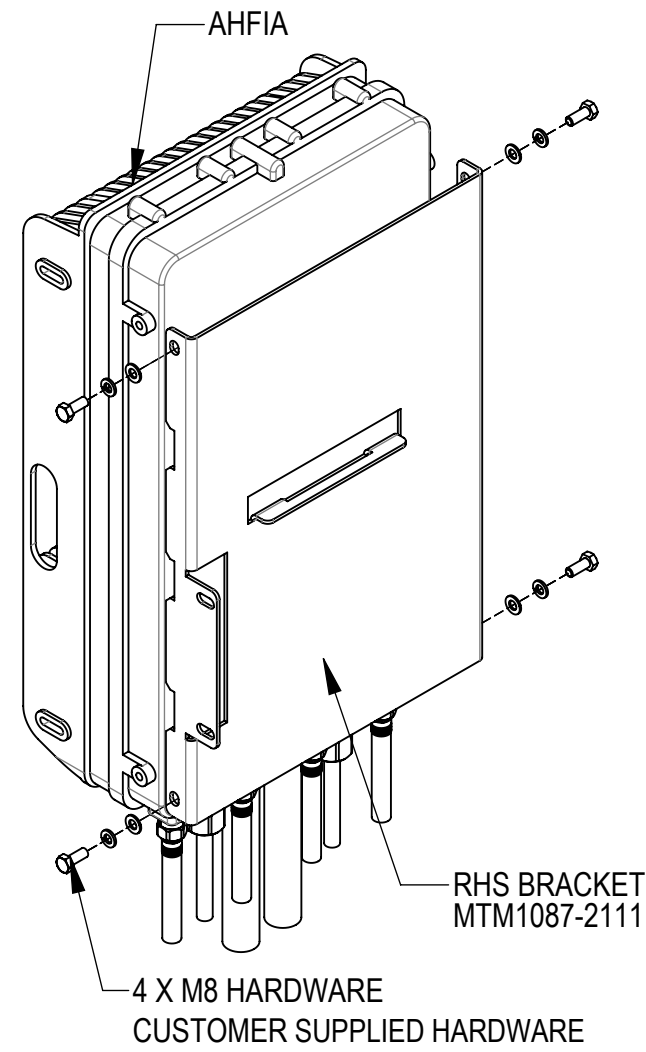
COMMSCOPE, INC. OF NORTH CAROLINA				
TITLE PC30 RRU/PSU INSTALL INSTRUCTIONS				
SIZE C	SCALE 1:16	DOCUMENT NO. MTM1103-RRU-INSTALL		
		DRAWING		SHEET 3 OF 16
		VERSION 07	STATUS RE	

NOKIA EQUIPMENT MOUNTING INSTALLATION



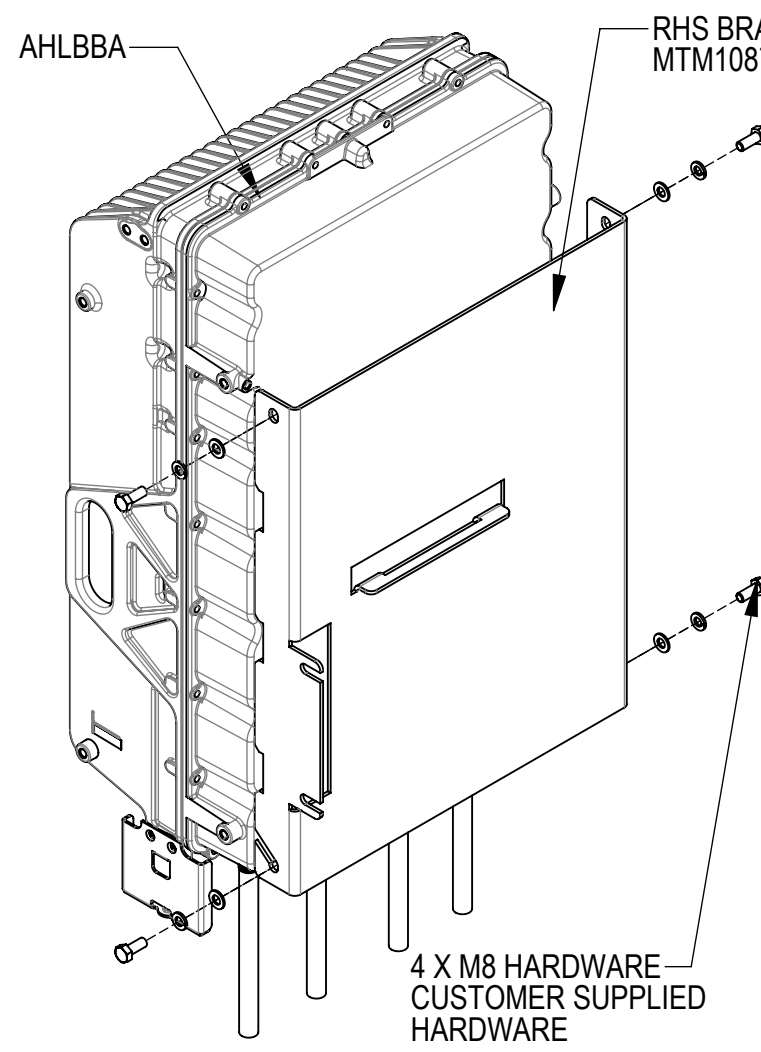
AHFIB:
 4 X M8 HARDWARE
 CUSTOMER SUPPLIED HARDWARE

INSTALL AHFIB TO THE MOUNTING BRACKET MTM1087-2110 USING 4 SETS OF M8 HEX BOLT, LOCK WASHER AND FLAT WASHER AS SHOWN
 IF 2 DIFFERENT RRU CONFIGURATIONS BEING USED ALWAYS MOUNT (AHFIB) ON LEFT SIDE



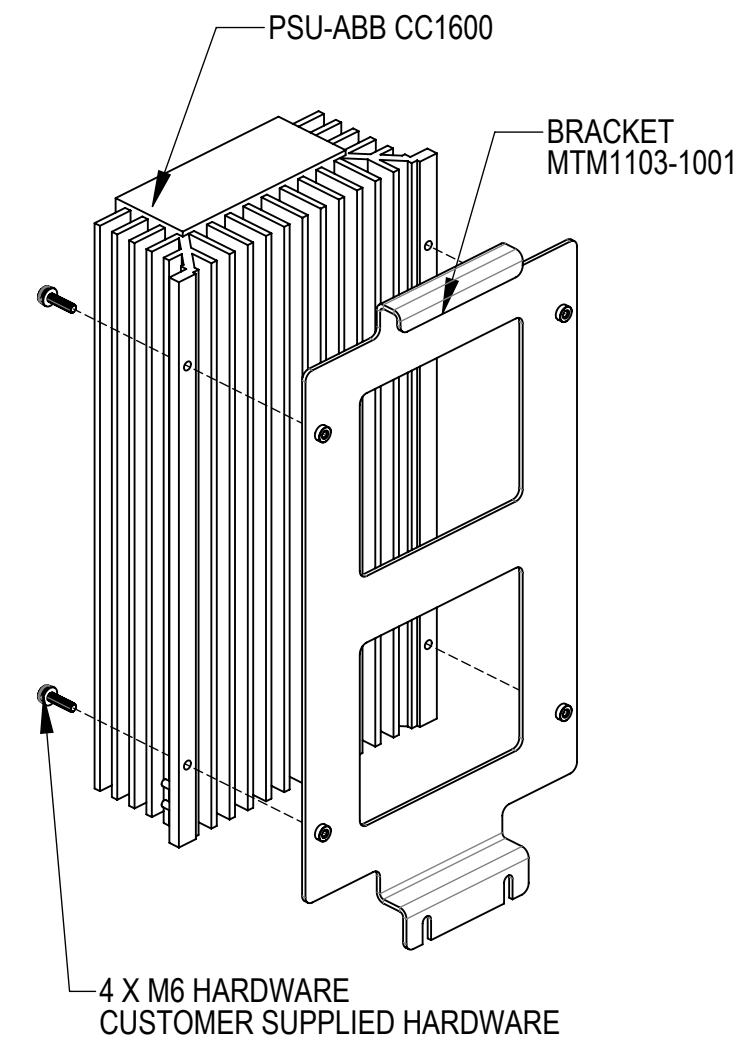
AHFIA:
 4 X M8 HARDWARE
 CUSTOMER SUPPLIED HARDWARE

INSTALL AHFIA TO THE MOUNTING BRACKET MTM1087-2111 USING 4 SETS OF M8 HEX BOLT, LOCK WASHER AND FLAT WASHER AS SHOWN



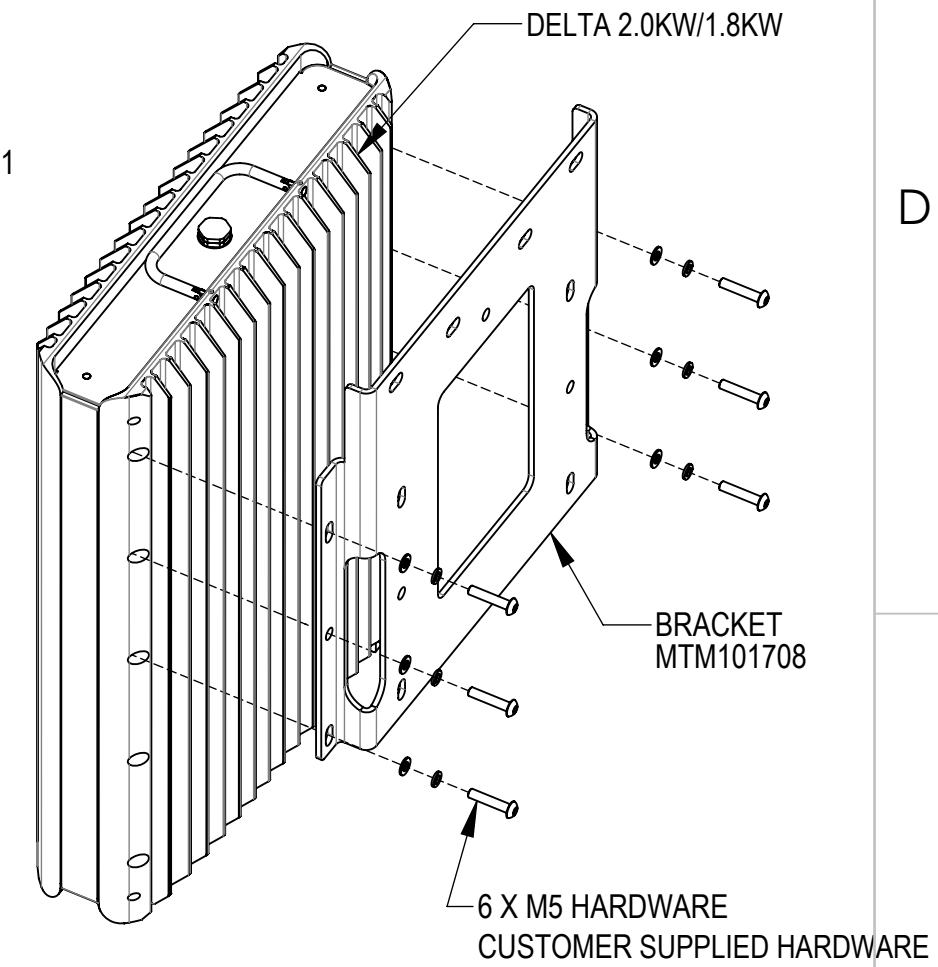
AHLBBA:
 4 X M8 HARDWARE
 CUSTOMER SUPPLIED HARDWARE

INSTALL AHLBBA TO THE MOUNTING BRACKET MTM1087-2112 USING 4 SETS OF M8 HEX BOLT, LOCK WASHER AND FLAT WASHER AS SHOWN



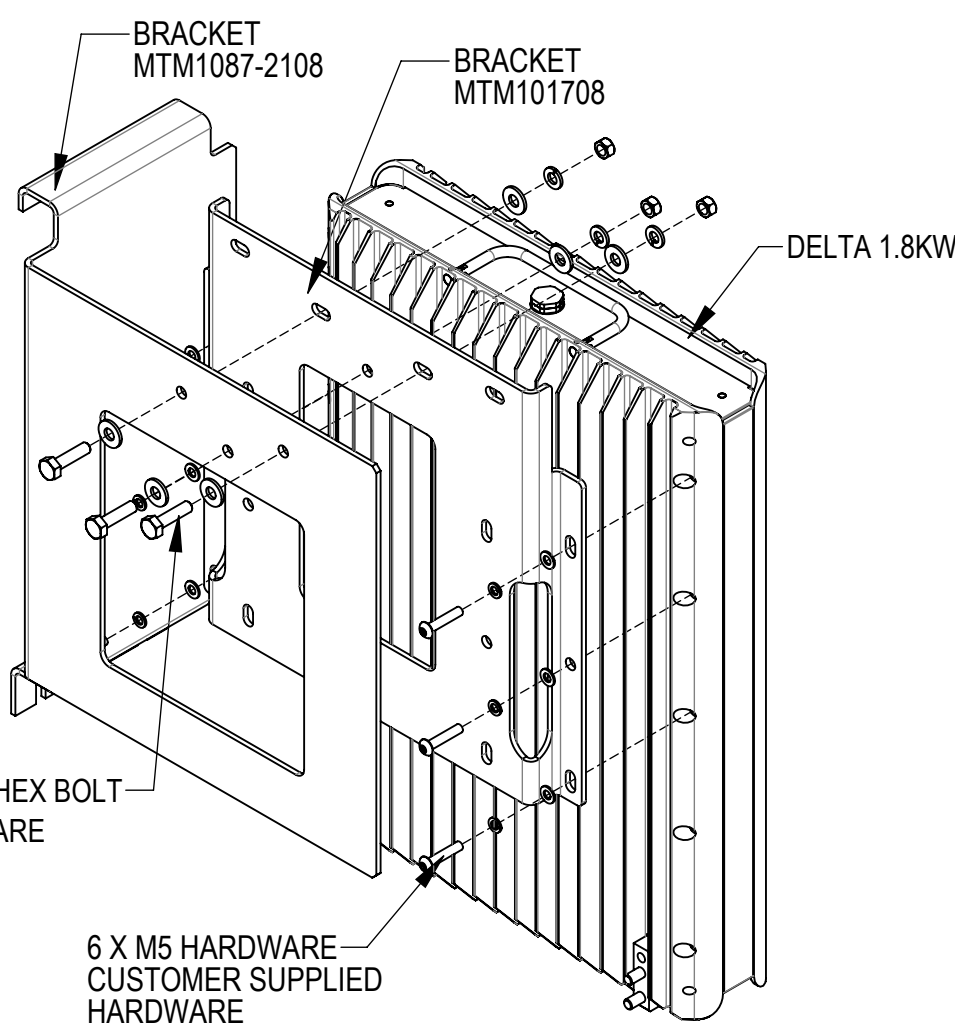
PSU-ABB CC1600:
 4 X M6 HARDWARE
 CUSTOMER SUPPLIED HARDWARE

INSTALL ABB CC1600 TO THE MOUNTING BRACKET MTM1103-1001 USING 4 SETS OF M6 HEX BOLT, LOCK WASHER AND FLAT WASHER AS SHOWN



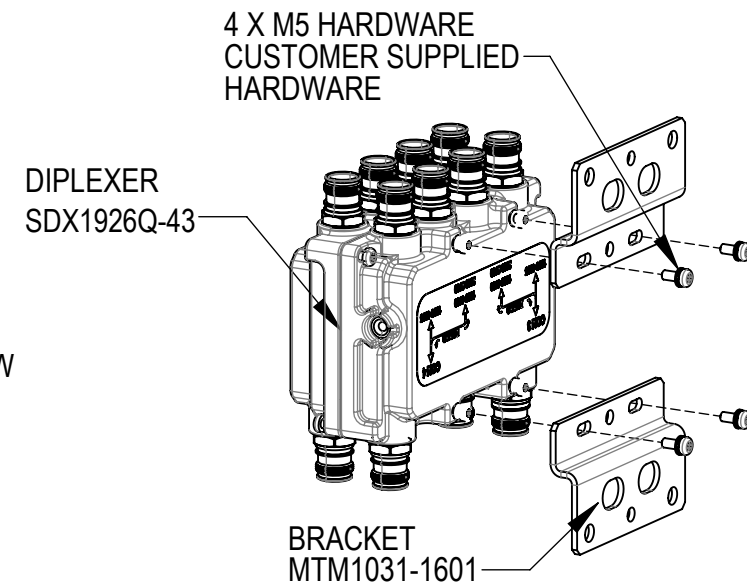
DELTA 1.8KW/2.0KW - INSTALL ON BACK OF CABINET:
 6 X M5 HARDWARE
 CUSTOMER SUPPLIED HARDWARE

INSTALL DELTA 1.8KW/2.0KW TO THE MOUNTING BRACKET MTM101708 USING 6 SETS OF M5 HEX BOLT, LOCK WASHER AND FLAT WASHER AS SHOWN



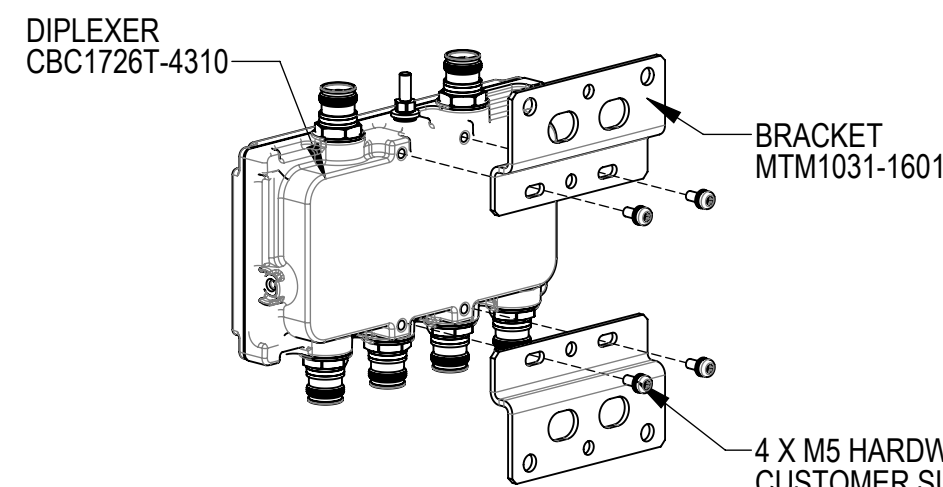
DELTA 1.8KW/2.0KW - INSTALL ON LEFT SIDE OF CABINET

- A) INSTALL DELTA 1.8KW/2.0KW TO THE MOUNTING BRACKET MTM101708 USING 6 SETS OF M5 HEX BOLT, LOCK WASHER AND FLAT WASHER AS SHOWN
- B) INSTALL DELTA 1.8KW/2.0KW WITH BRACKET TO THE MOUNTING BRACKET MTM1087-2108 USING 3 SETS OF 1/4" HEX BOLT, LOCK WASHER, FLAT WASHER AND NUT AS SHOWN



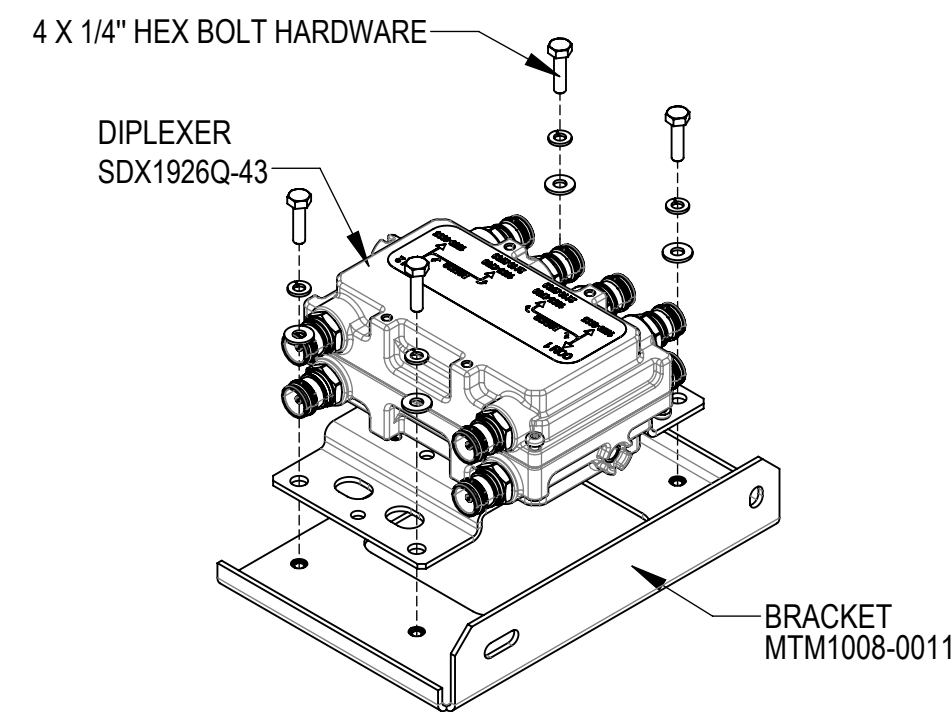
DIPLEXER SDX1926Q-43:
 4 X M5 HARDWARE
 CUSTOMER SUPPLIED HARDWARE

INSTALL DIPLEXER TO THE MOUNTING BRACKET MTM1031-1601 USING 4 SETS OF M5 HEX BOLT, LOCK WASHER AND FLAT WASHER AS SHOWN



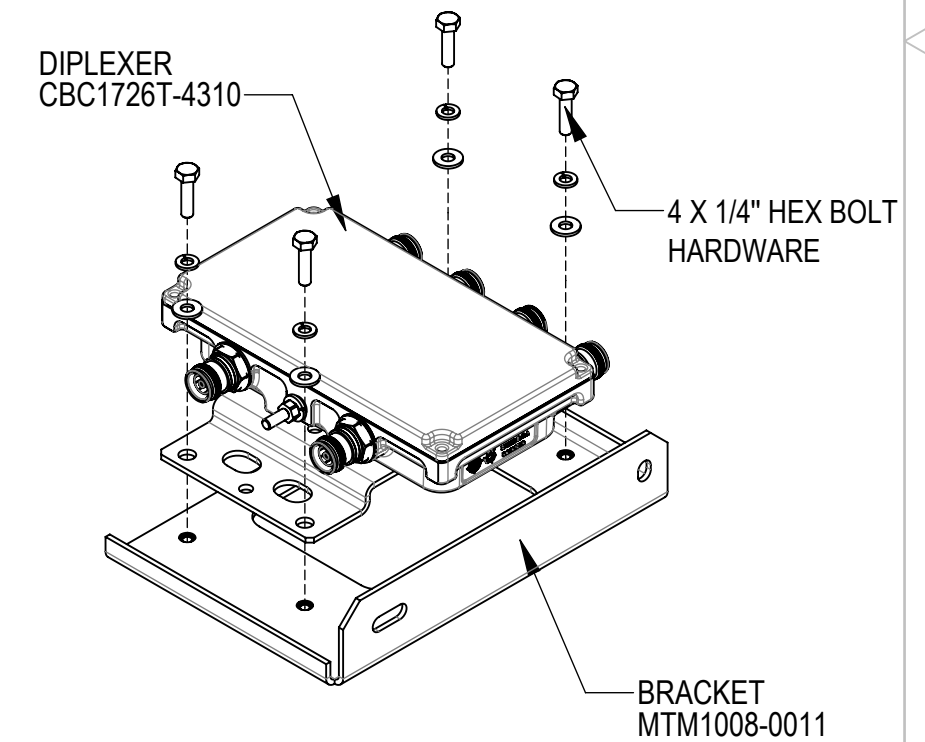
DIPLEXER CBC1726T-4310:
 4 X M5 HARDWARE
 CUSTOMER SUPPLIED HARDWARE

INSTALL DIPLEXER TO THE MOUNTING BRACKET MTM1031-1601 USING 4 SETS OF M5 HEX BOLT, LOCK WASHER AND FLAT WASHER AS SHOWN



DIPLEXER SDX1926Q-43:
 4 X 1/4" HEX BOLT HARDWARE

INSTALL DIPLEXER TO THE MOUNTING BRACKET MTM1008-0011 USING 4 SETS OF 1/4" HEX BOLT, LOCK WASHER AND FLAT WASHER AS SHOWN



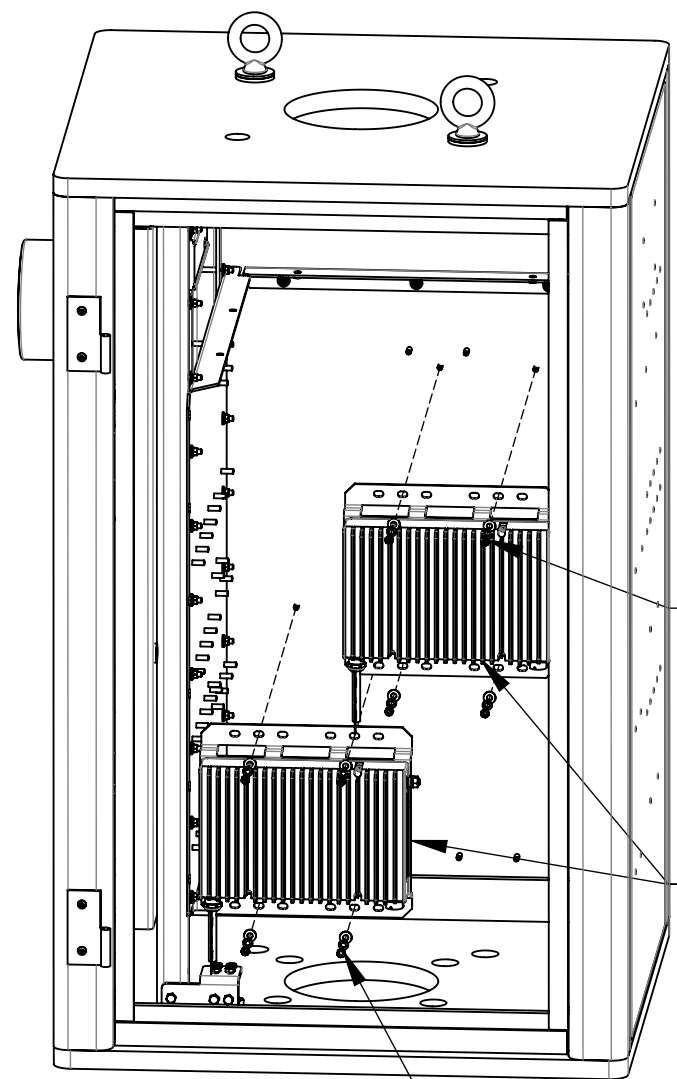
DIPLEXER SDX1926Q-43:
 4 X 1/4" HEX BOLT HARDWARE

INSTALL DIPLEXER TO THE MOUNTING BRACKET MTM1008-0011 USING 4 SETS OF 1/4" HEX BOLT, LOCK WASHER AND FLAT WASHER AS SHOWN

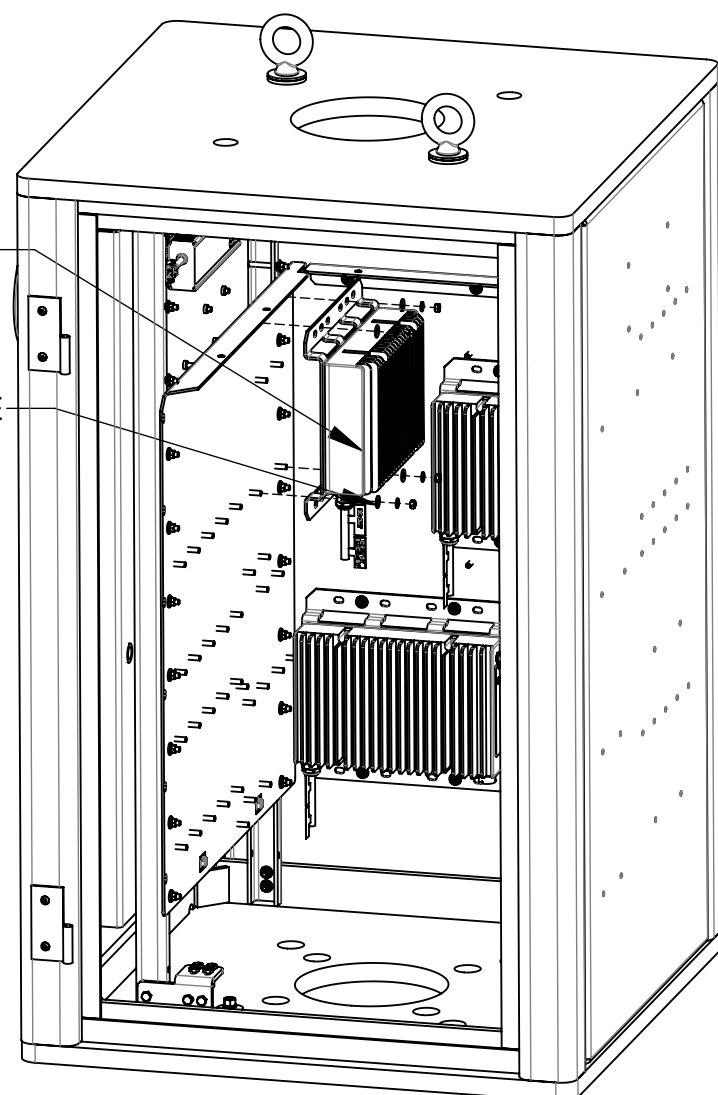
COMMSCOPE, INC. OF NORTH CAROLINA				
TITLE PC30 RRU/PSU INSTALL INSTRUCTIONS				
SIZE C	SCALE 1:16	DOCUMENT NO. MTM1103-RRU-INSTALL		
		DRAWING		SHEET
		VERSION 07	STATUS RE	REVISION E
				4 OF 16

ERICSSON

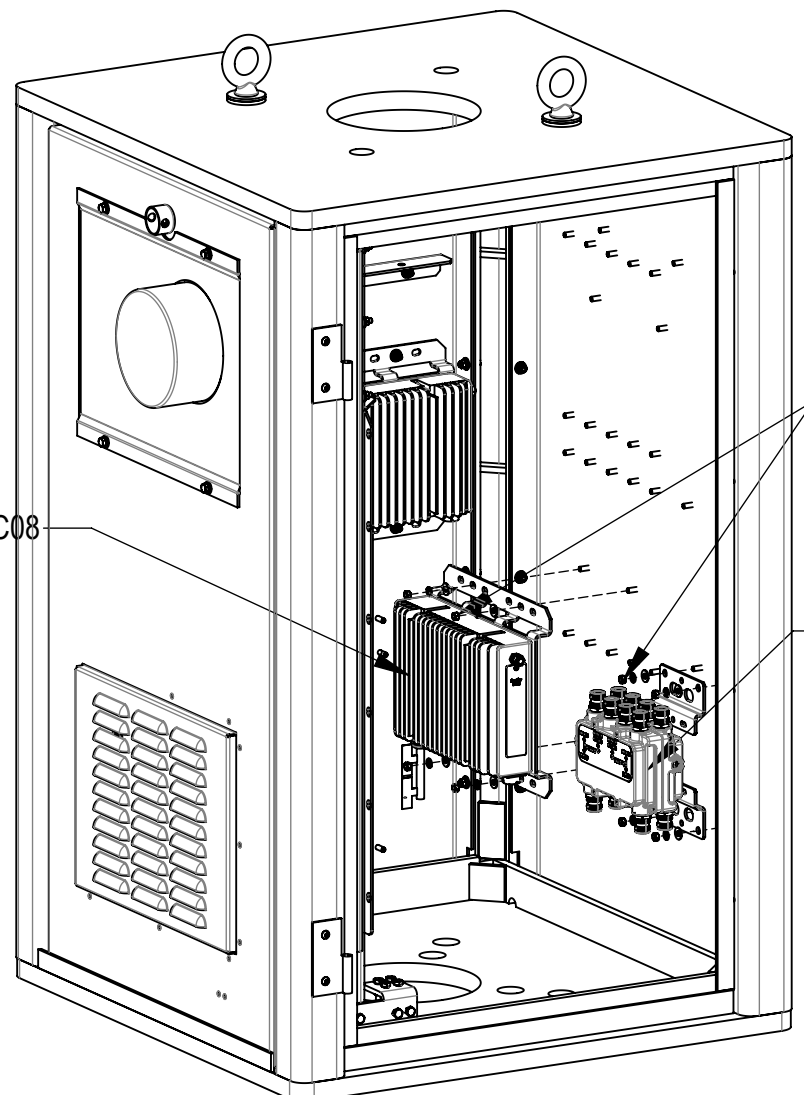
CONFIGURATION 1 - 8843 & 4449 & 4XAC08 AND DIPLEXER SDX1926Q-43/CBC1726T-4310



STEP 1:
PSU-ERC-AC08-INSTALL ON BACK
 INSTALL PSU AC08 TO THE EQUIPMENT AND SECURE USING 4 SETS OF 1/4" NUT, LOCK WASHER AND FLAT WASHER PER RADIO

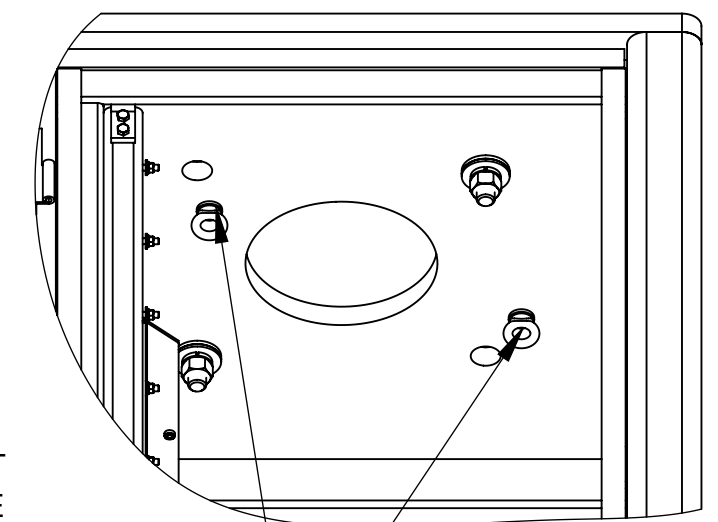


STEP 2:
PSU-ERC-AC08-INSTALL ON LEFT SIDE
 INSTALL PSU AC08 TO THE EQUIPMENT MOUNT BRACKETS AND SECURE USING 4 SETS OF 1/4" NUT, LOCK WASHER AND FLAT WASHER

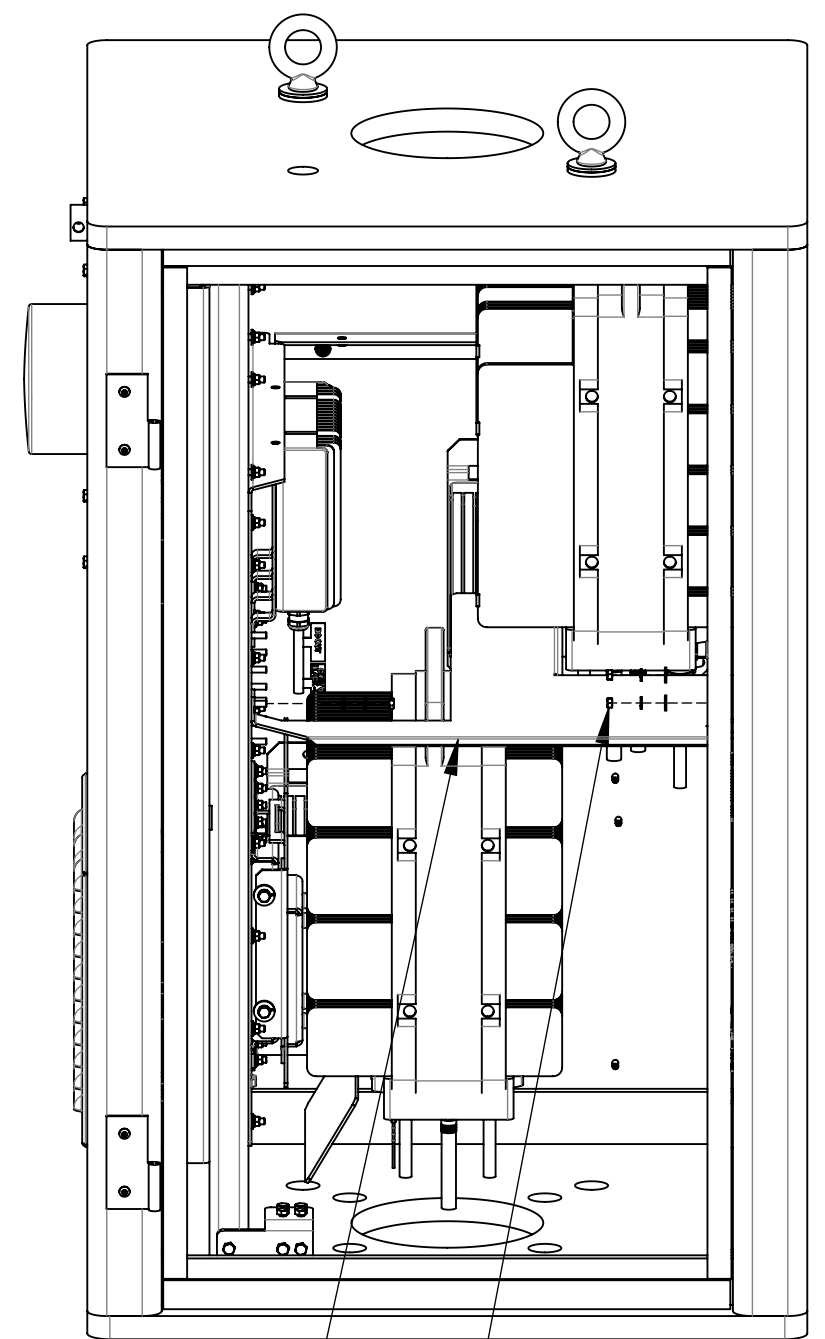


STEP 3:
PSU-ERC-AC08-INSTALL & DIPLEXER ON RIGHT WALL

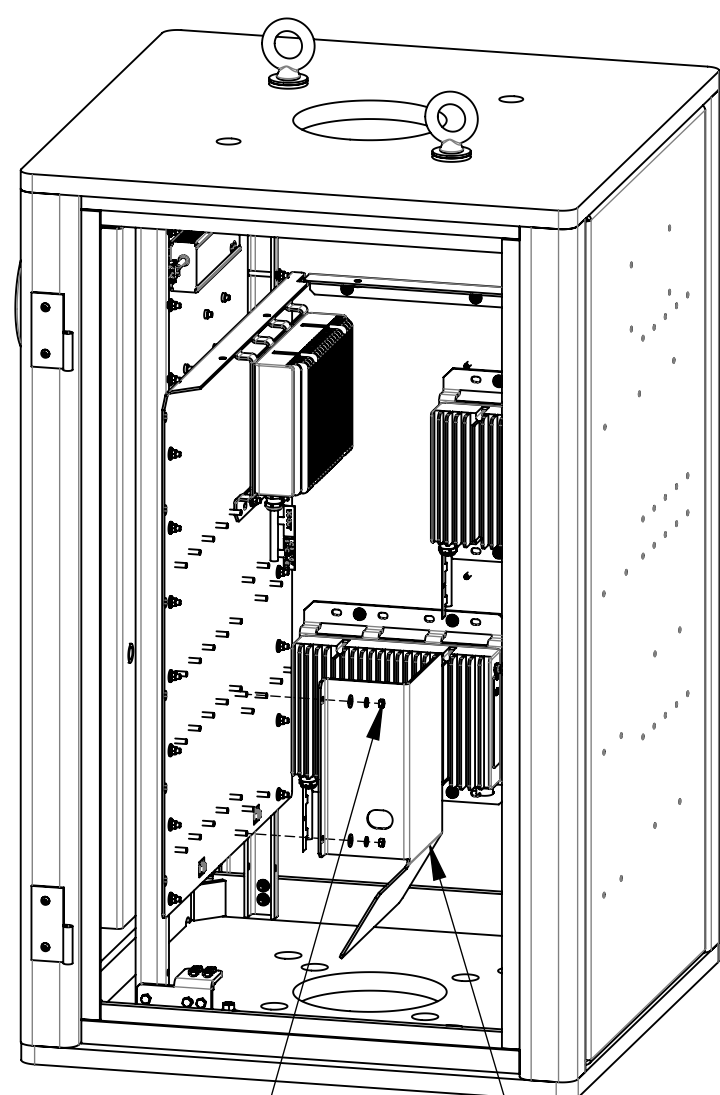
- A) INSTALL PSU AC08 TO THE EQUIPMENT AND SECURE USING 4 SETS OF 1/4" NUT, LOCK WASHER AND FLAT WASHER. CONNECT ALL POWER AND CABLE CONNECTIONS THAT YOU CAN TO PSU'S
- B) INSTALL DIPLEXER WITH BRACKET TO THE EQUIPMENT AND SECURE USING 4 SETS OF 1/4" NUT, LOCK WASHER AND FLAT WASHER



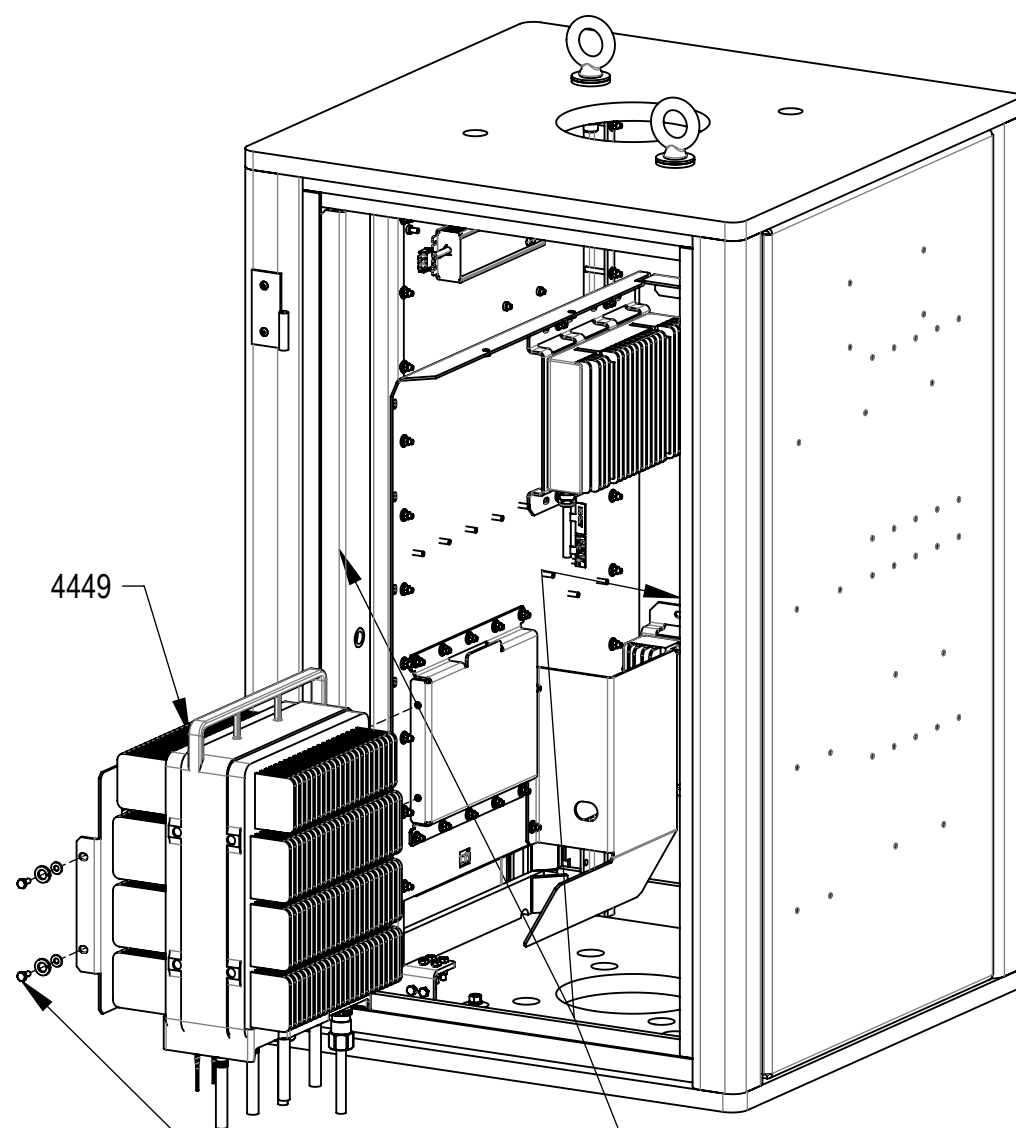
EYELETS @ INSIDE TOP FOR LIFTING RRU'S INTO PLACE



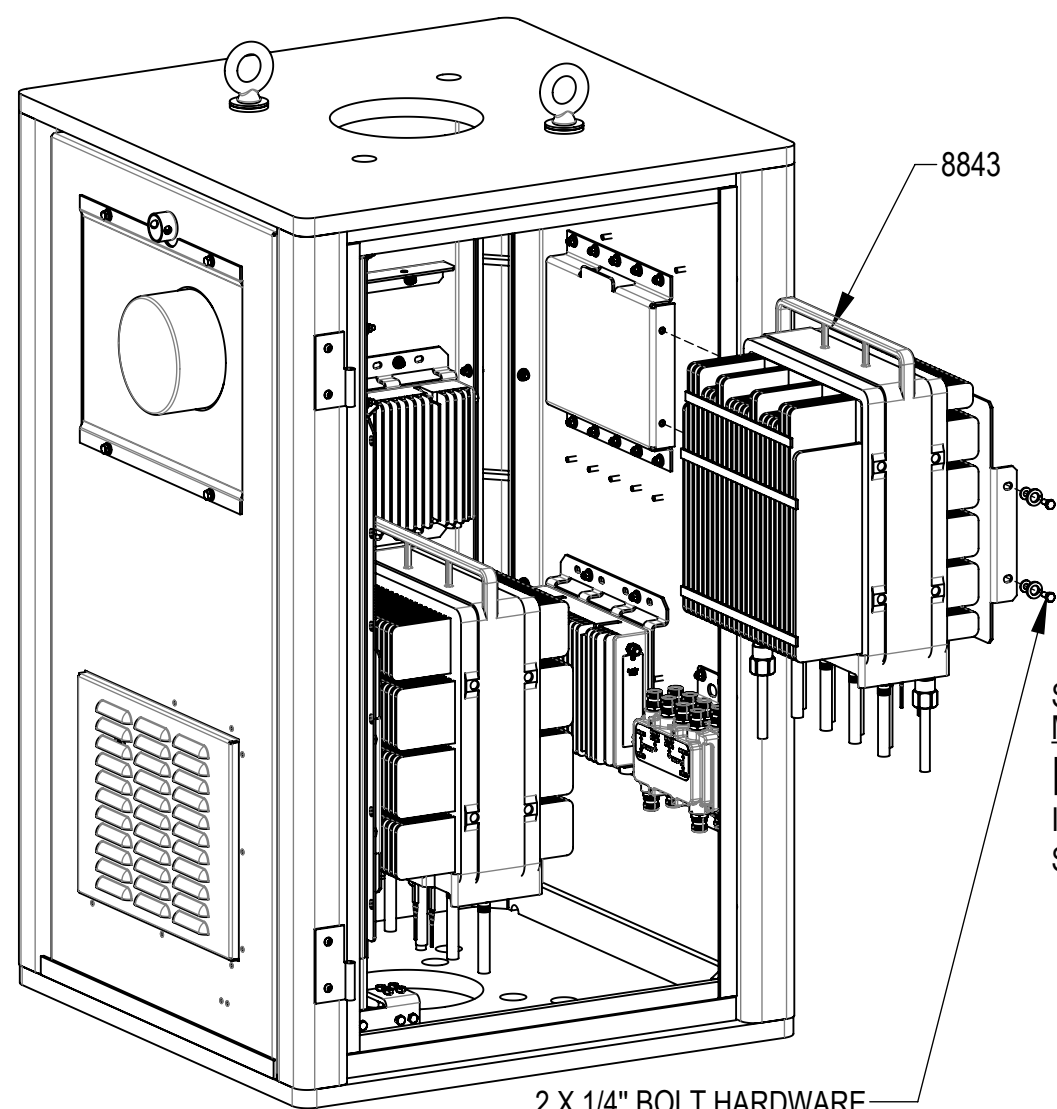
STEP 7:
MTM1103-1110
MUST !!
 INSTALL MTM1103-1100 TO THE EQUIPMENT MOUNT BRACKETS AND SECURE USING 3 SETS OF 1/4" NUT, LOCK WASHER AND FLAT WASHER



STEP 4:
MTM1103-1106
MUST !!
 INSTALL SUPPLIED PLENUM AFTER PSU CABLING INSTALLATION TO PREVENT THERMAL ISSUES. FOR ACPSU-08 CONFIGURATION ONLY. INSTALL MTM1103-1106 TO THE EQUIPMENT MOUNT BRACKETS AND SECURE USING 2 SETS OF 1/4" NUT, LOCK WASHER AND FLAT WASHER



STEP 5:
4449
 A) AFTER PSU'S AND SMALL PLENUM IS INSTALLED. INSTALL 4449 ON RIGHT SIDE FIRST USING A ROPE & LIFTING EYE AT TOP OF FRAME TO ASSIST RRU INTO PLACE
 B) HANG 4449 WITH BRACKET TO THE EQUIPMENT MOUNT BRACKETS AND SECURE USING 2 SETS OF 1/4" BOLT, LOCK WASHER AND FLAT WASHER



STEP 6:
8843
 A) USING A ROPE & LIFTING EYE AT TOP OF FRAME TO ASSIST RRU INTO PLACE
 B) HANG 8843 WITH BRACKET ON SIDE WALL USING 2 SETS OF 1/4" BOLT, LOCK WASHER AND FLAT WASHER

MID PLENUM MTM1103-1100
 3 X 1/4" NUT HARDWARE

COMMScope, INC. OF NORTH CAROLINA

TITLE				
PC30 RRU/PSU INSTALL INSTRUCTIONS				
SIZE	SCALE	DOCUMENT NO.		
C	1:12	MTM1103-RRU-INSTALL		
		DRAWING		SHEET
		VERSION	STATUS	REVISION
		07	RE	E
				SHEET 5 OF 16

4

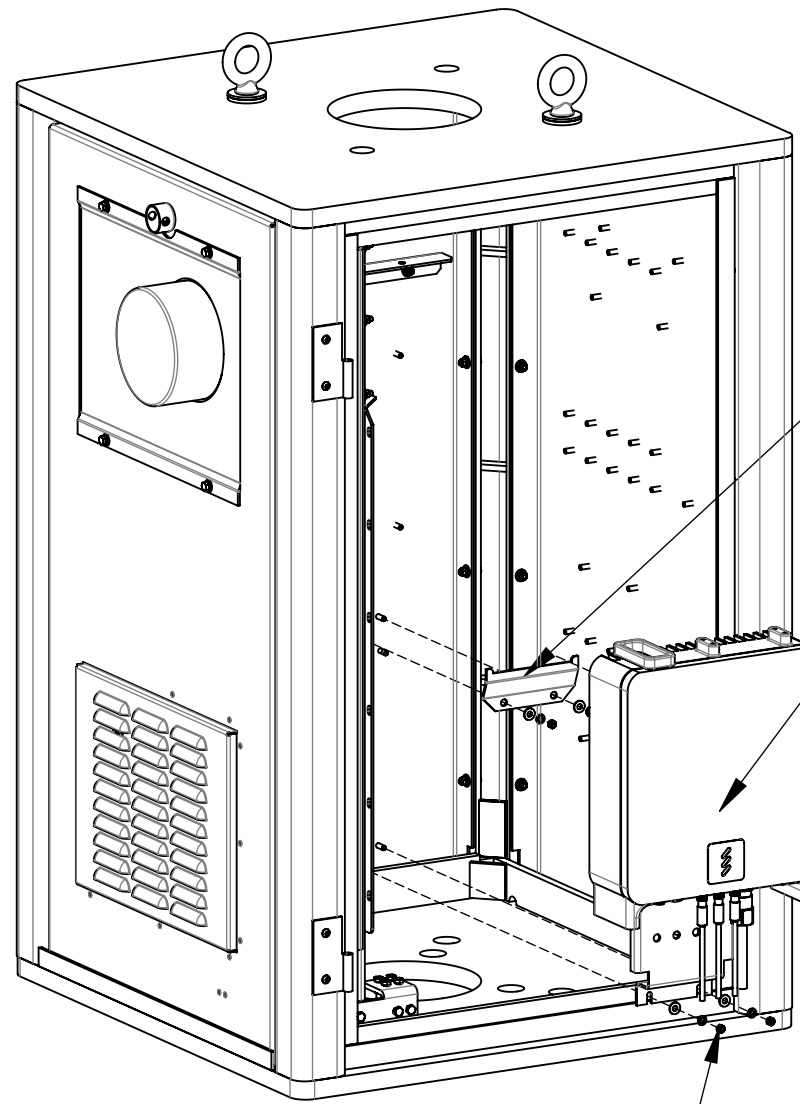
3

2

1

ERICSSON

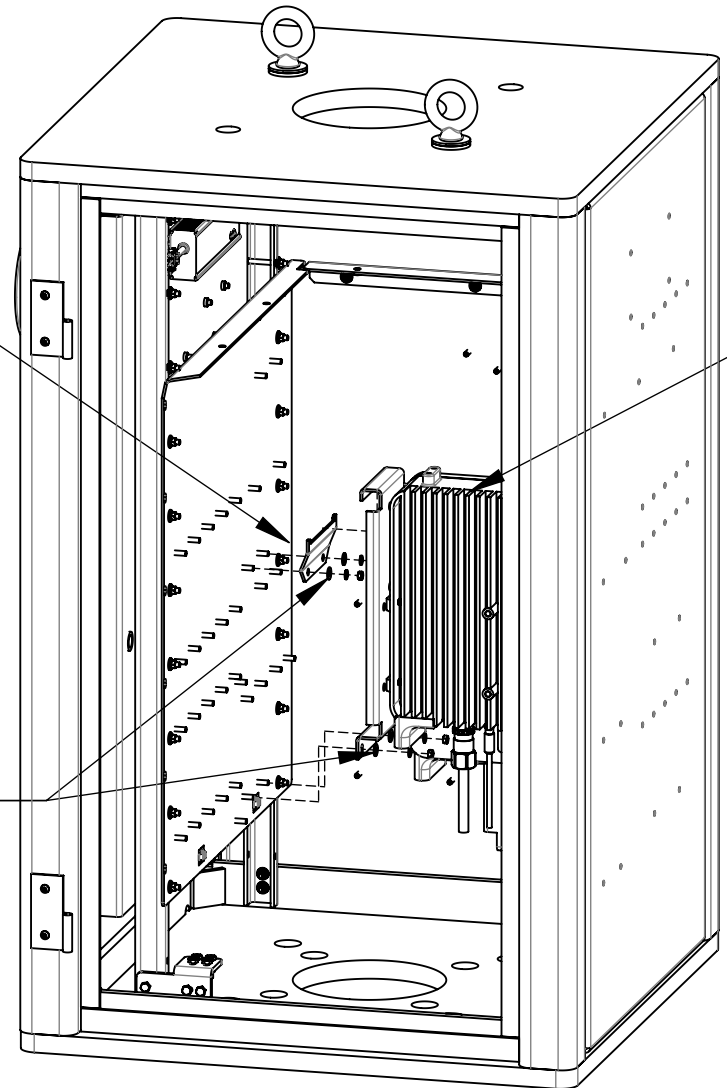
CONFIGURATION 2 - 8843 & 4449 & 2X6302 AND DIPLEXER SDX1926Q-43/CBC1726T-4310



RECTIFIER WALL BRACKET
MTM100107

PSU-6302

2 X 1/4" NUT HARDWARE



PSU-6302

STEP 1:
PSU-6302-INSTALL ON BACK

2 X 1/4" NUT HARDWARE

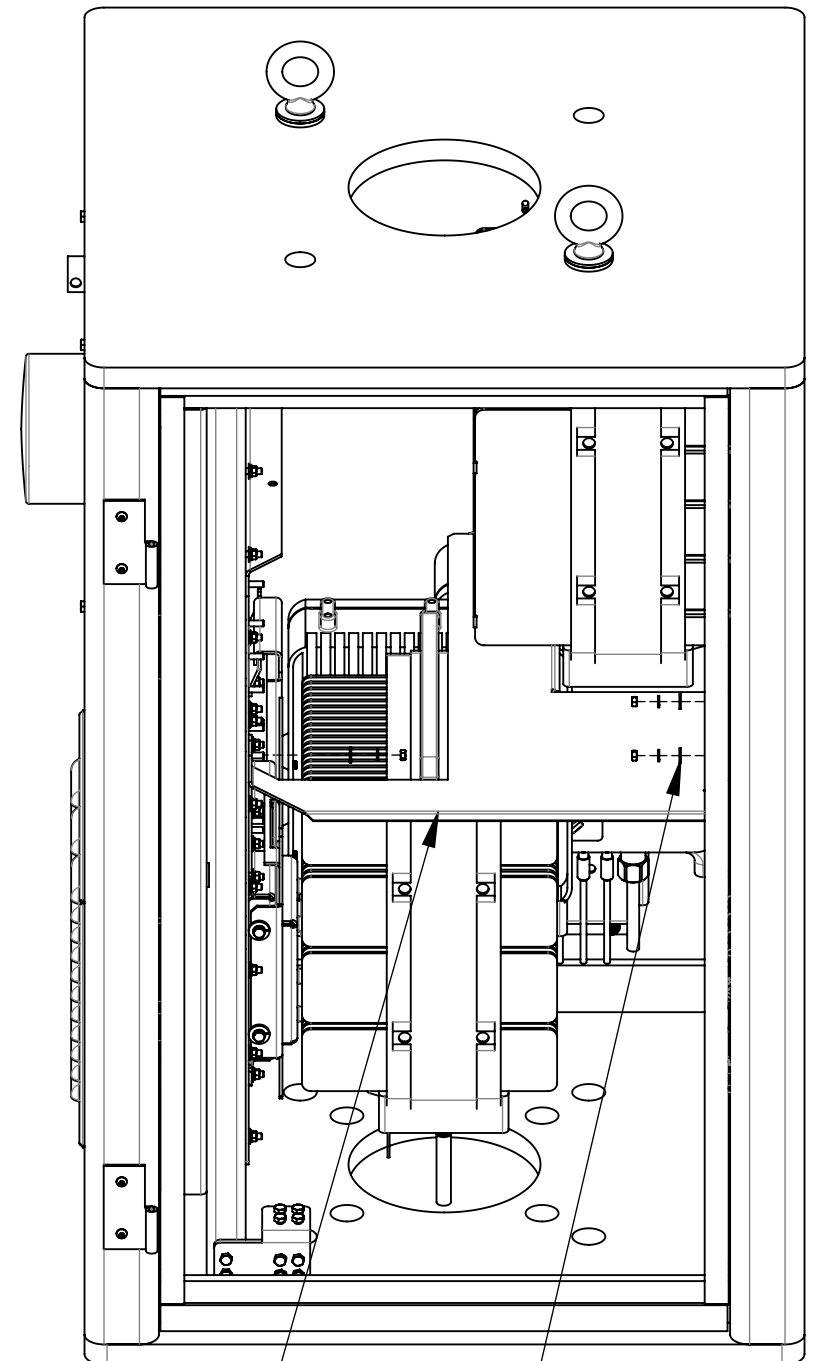
A) INSTALL MTM100107 TO THE EQUIPMENT AND SECURE USING 2 SETS OF 1/4"NUT, LOCK WASHER AND FLAT WASHER

B) HANG PSU 6302 ON THE MTM100107 AND SECURE IT TO THE EQUIPMENT USING 2 SETS OF 1/4"NUT, LOCK WASHER AND FLAT WASHER

STEP 2:
PSU-6302-INSTALL ON LEFT SIDE

A) INSTALL MTM100107 TO THE EQUIPMENT MOUNT BRACKETS AND SECURE USING 2 SETS OF 1/4"NUT, LOCK WASHER AND FLAT WASHER

B) HANG PSU 6302 ON THE MTM100107 AND SECURE IT TO THE EQUIPMENT MOUNT BRACKETS USING 2 SETS OF 1/4"NUT, LOCK WASHER AND FLAT WASHER



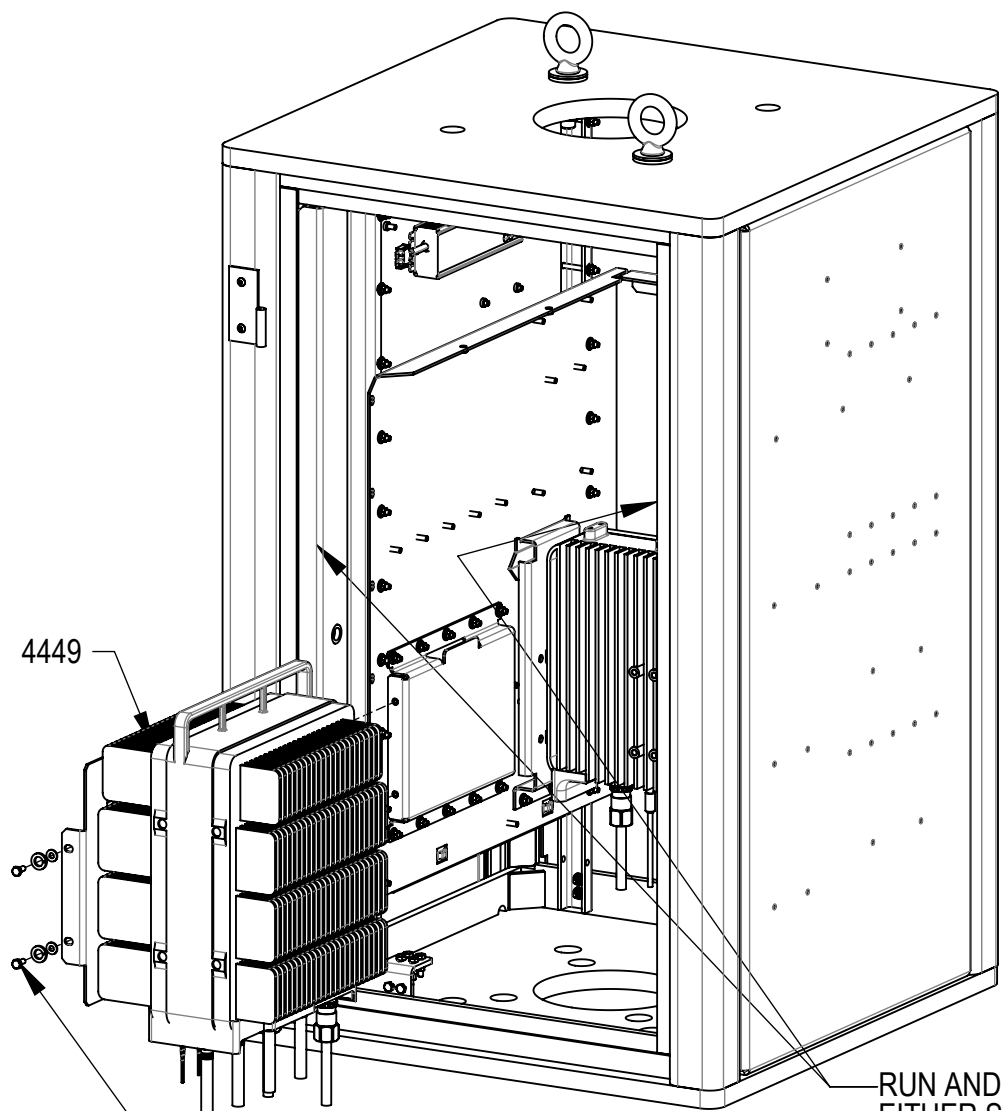
MID PLENUM
MTM1103-1100

3 X 1/4" NUT HARDWARE

STEP 5:
MTM1103-1100

MUST !!

INSTALL MTM1103-1100 TO THE EQUIPMENT MOUNT BRACKETS AND SECURE USING 3 SETS OF 1/4" NUT, LOCK WASHER AND FLAT WASHER



4449

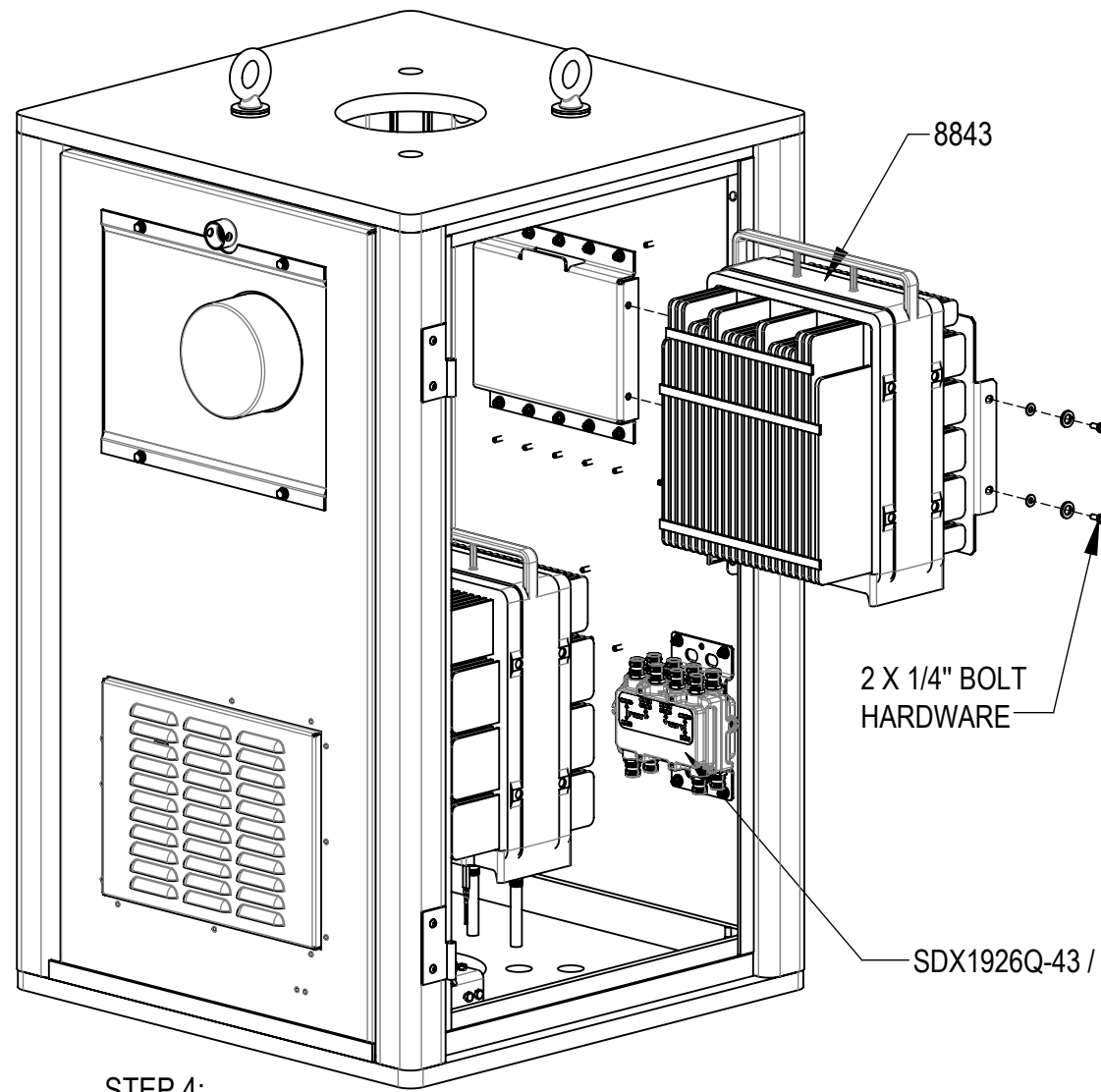
2 X 1/4" BOLT HARDWARE

STEP 3:
4449

A) AFTER PSU'S AND SMALL PLENUM IS INSTALLED. INSTALL 4449 ON RIGHT SIDE FIRST USING A ROPE & LIFTING EYE AT TOP OF FRAME TO ASSIST RRU INTO PLACE

B) HANG 4449 WITH BRACKET TO THE EQUIPMENT MOUNT BRACKETS AND SECURE USING 2 SETS OF 1/4" BOLT, LOCK WASHER AND FLAT WASHER

RUN AND SECURE ALL CABLES AT EITHER SIDE OF DOOR OPENING. CABLE MANAGEMENT ZIP-TIE SLOT RUN



8843

2 X 1/4" BOLT
HARDWARE

SDX1926Q-43 / CBC1726T-4310

STEP 4:
8843 & DIPLEXER

A) USING A ROPE & LIFTING EYE AT TOP OF FRAME TO ASSIST RRU INTO PLACE

B) HANG 8843 WITH BRACKET ON SIDE WALL USING 2 SETS OF 1/4" BOLT, LOCK WASHER AND FLAT WASHER

C) INSTALL DIPLEXER WITH BRACKET TO THE EQUIPMENT AND SECURE USING 4 SETS OF 1/4"NUT, LOCK WASHER AND FLAT WASHER

COMMScope, INC. OF NORTH CAROLINA				
TITLE PC30 RRU/PSU INSTALL INSTRUCTIONS				
SIZE C	SCALE 1:12	DOCUMENT NO. MTM1103-RRU-INSTALL		
		DRAWING		SHEET
		VERSION 07	STATUS RE	REVISION E
				6 OF 16

4

3

2

1

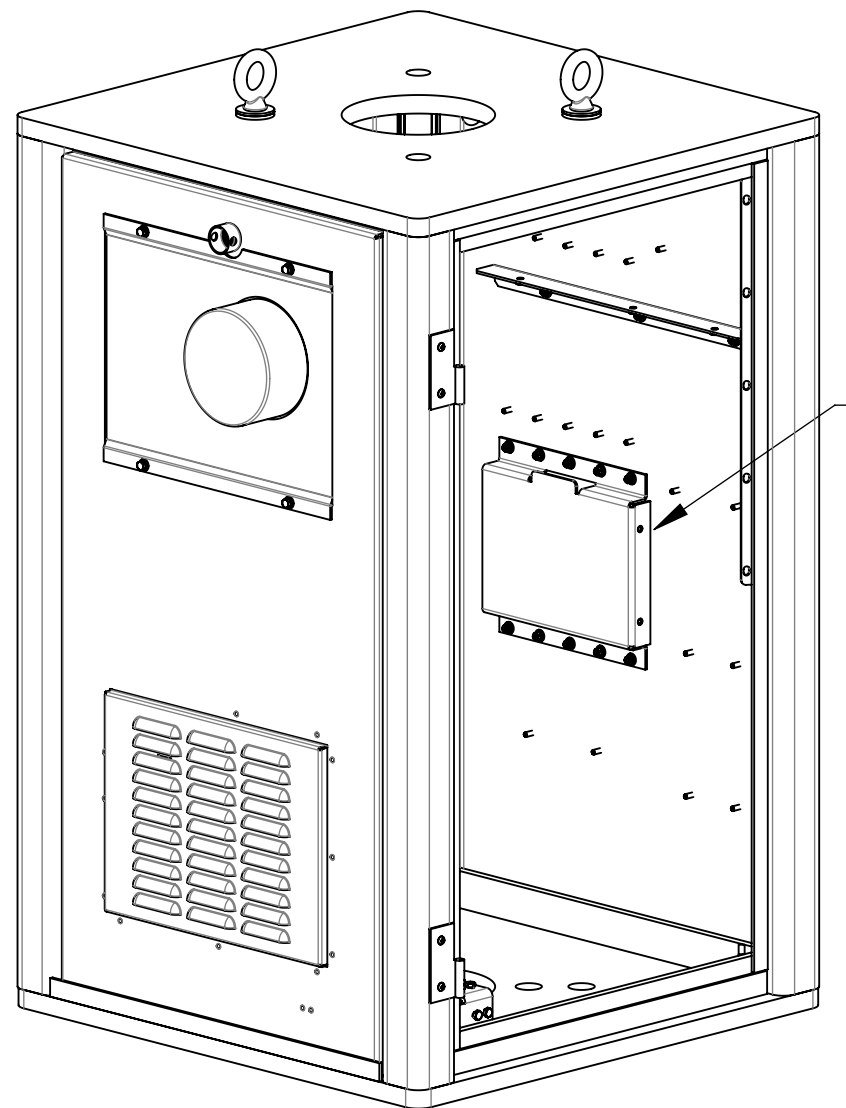
4

3

2

1

ERICSSON
CONFIGURATION 3 - LHS 5X2203 & RHS 5X2203 AND DIPLEXER SDX1926Q-43/CBC1726T-4310

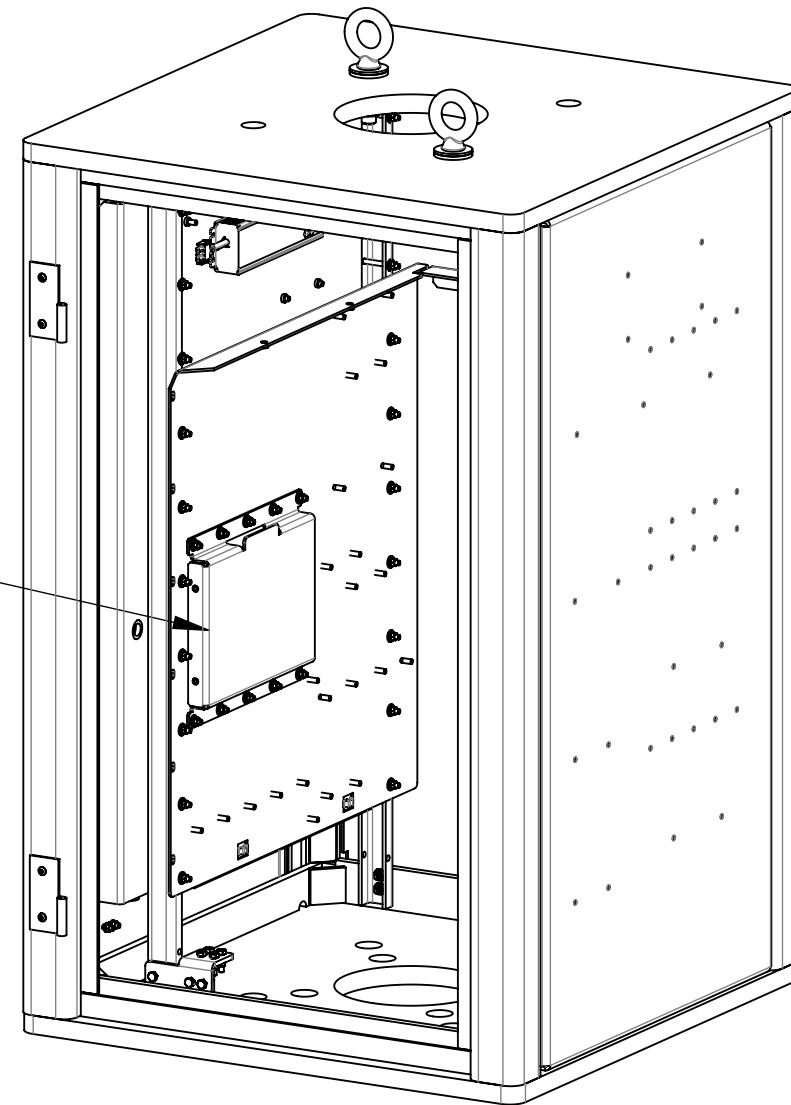


RIGHT WALL RADIO
 MTG BRKT
 MTM100805

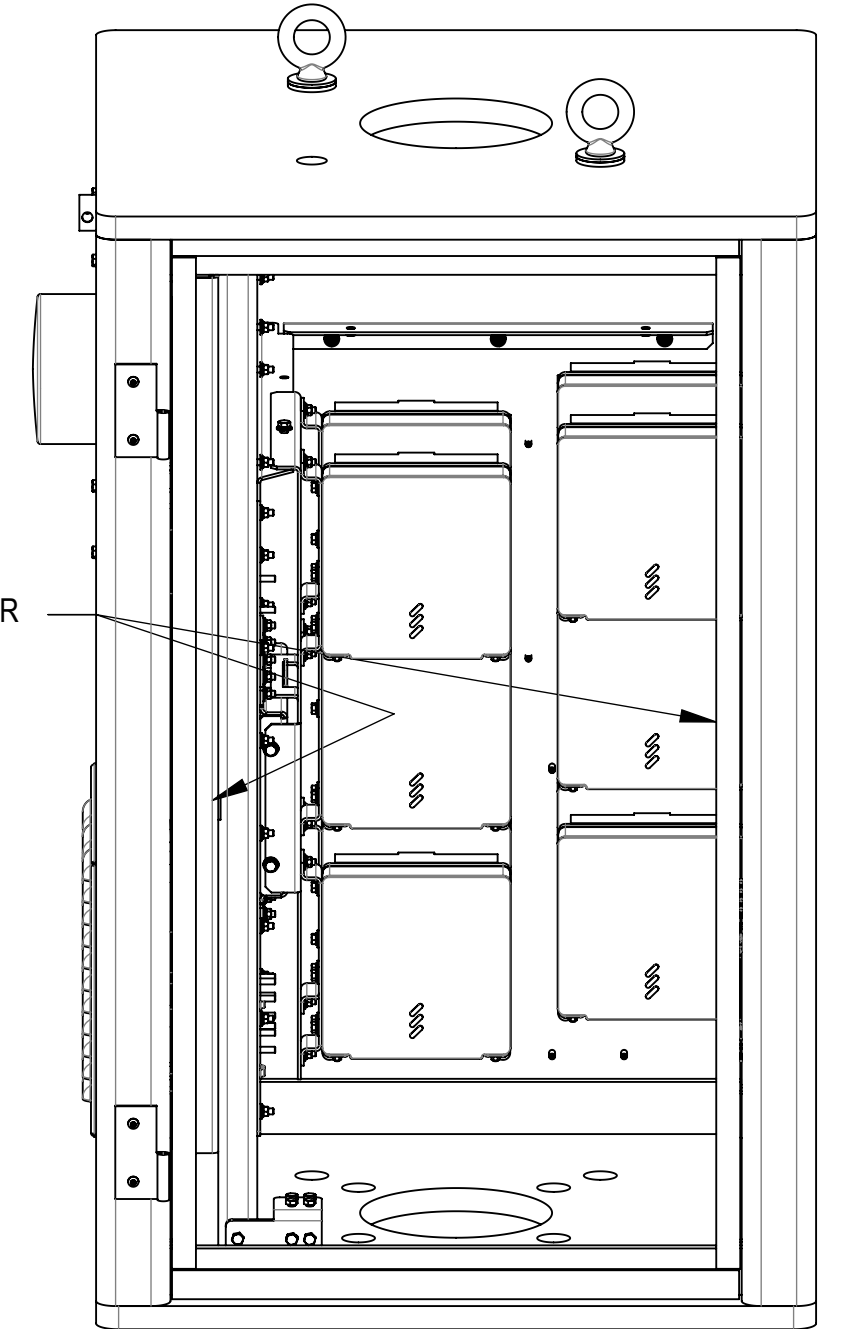
BRACKET LEFT
 RADIO, CHRO
 MTM1103-1209

STEP 1:
 MTM100805

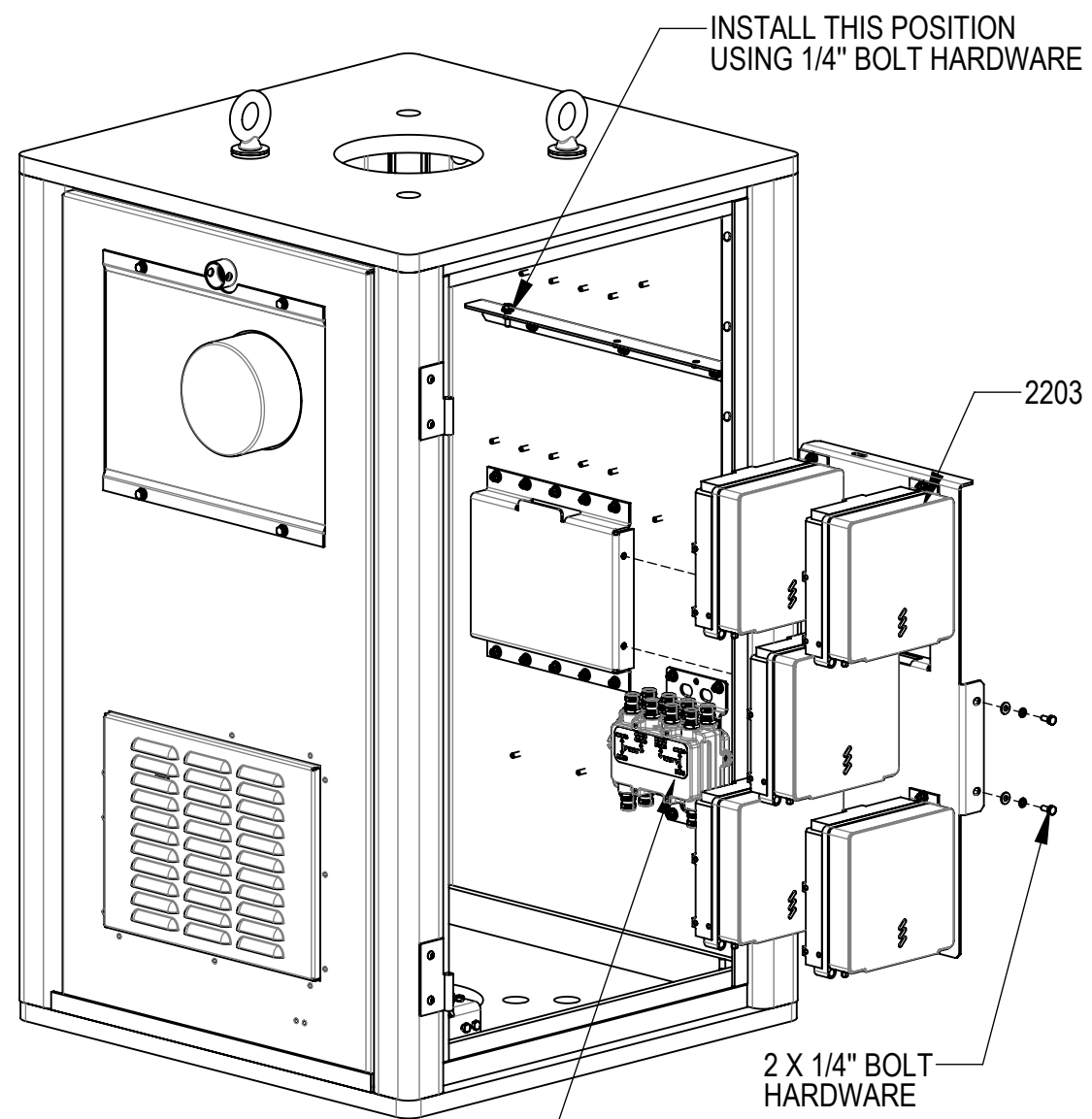
MOVE MTM100805 TO THIS POSITIONS SHOWN



RUN AND SECURE ALL CABLES AT EITHER
 SIDE OF DOOR OPENING. CABLE
 MANAGEMENT ZIP-TIE SLOT RUN



TOTAL INSTALLATION
 THE FRONT DOOR IS HIDDEN FOR CLEAR VIEWING



INSTALL THIS POSITION
 USING 1/4" BOLT HARDWARE

2203

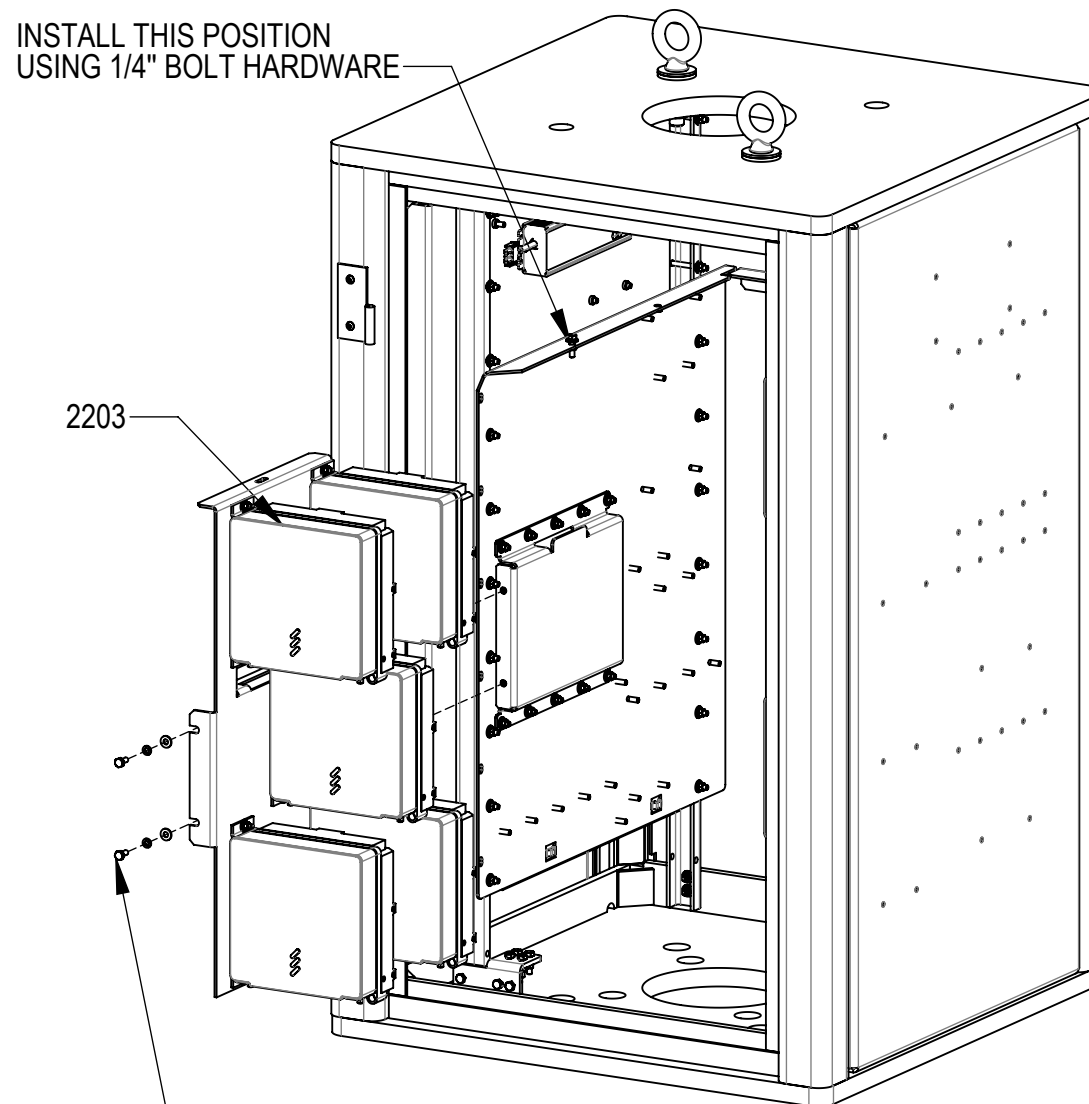
2 X 1/4" BOLT
 HARDWARE

SDX1926Q-43 / CBC1726T-4310

STEP 2:
 2203 & DIPLEXER

A) INSTALL 2203 ON THE RHS MOUNT BRACKETS AND SECURE USING 3 SETS OF
 1/4" BOLT, LOCK WASHER AND FLAT WASHER

B) INSTALL DIPLEXER WITH BRACKET TO THE EQUIPMENT AND SECURE
 USING 4 SETS OF 1/4"NUT, LOCK WASHER AND FLAT WASHER



INSTALL THIS POSITION
 USING 1/4" BOLT HARDWARE

2203

2 X 1/4" BOLT HARDWARE

STEP 3:
 2203

INSTALL 2203 ON THE LHS MOUNT BRACKETS AND SECURE USING 3 SETS OF 1/4"
 BOLT, LOCK WASHER AND FLAT WASHER

COMMSCOPE, INC. OF NORTH CAROLINA				
TITLE PC30 RRU/PSU INSTALL INSTRUCTIONS				
SIZE C	SCALE 1:12	DOCUMENT NO. MTM1103-RRU-INSTALL		
DRAWING		VERSION	STATUS	REVISION
		07	RE	E
SHEET 7 OF 16				

4

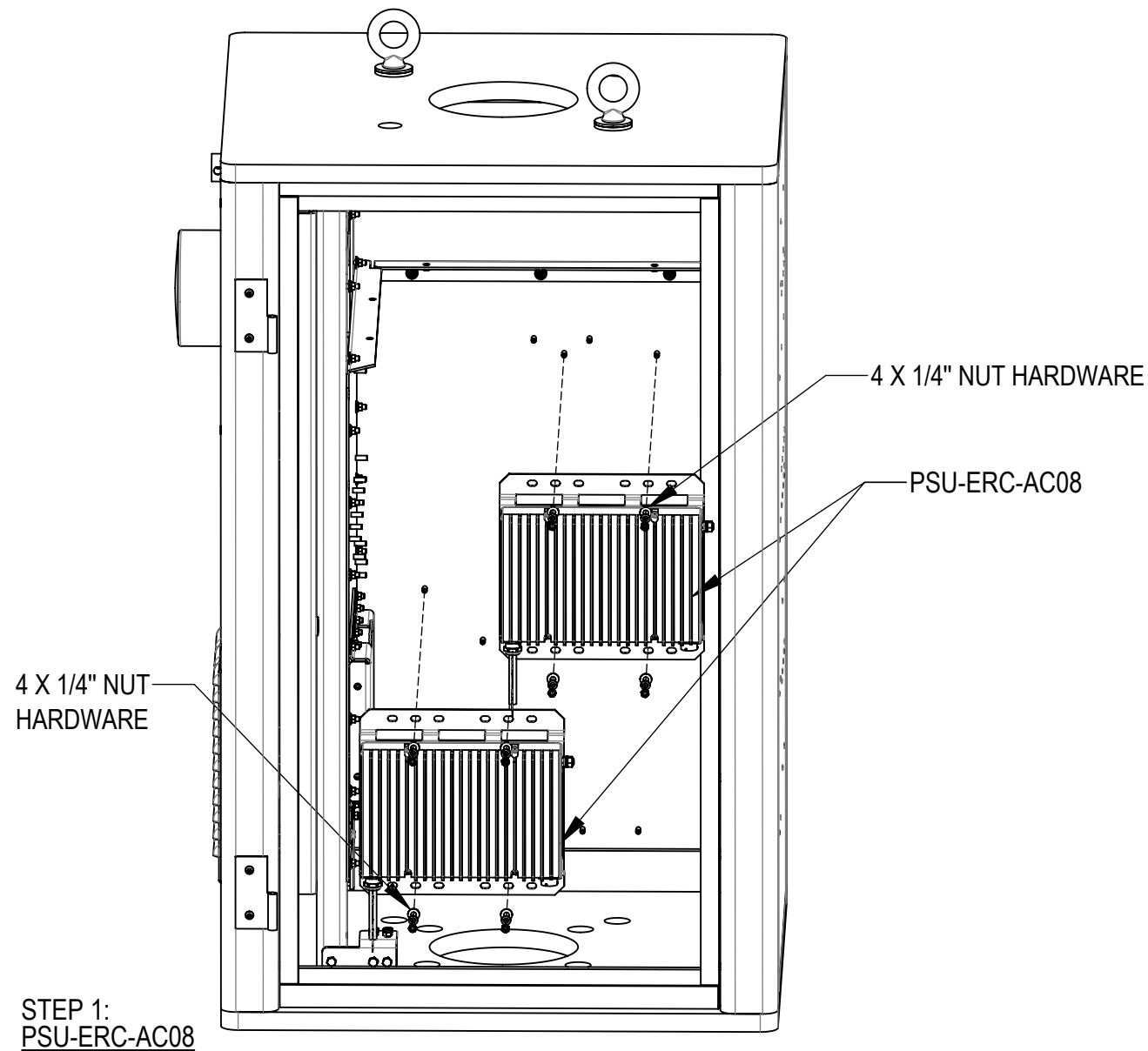
3

2

1

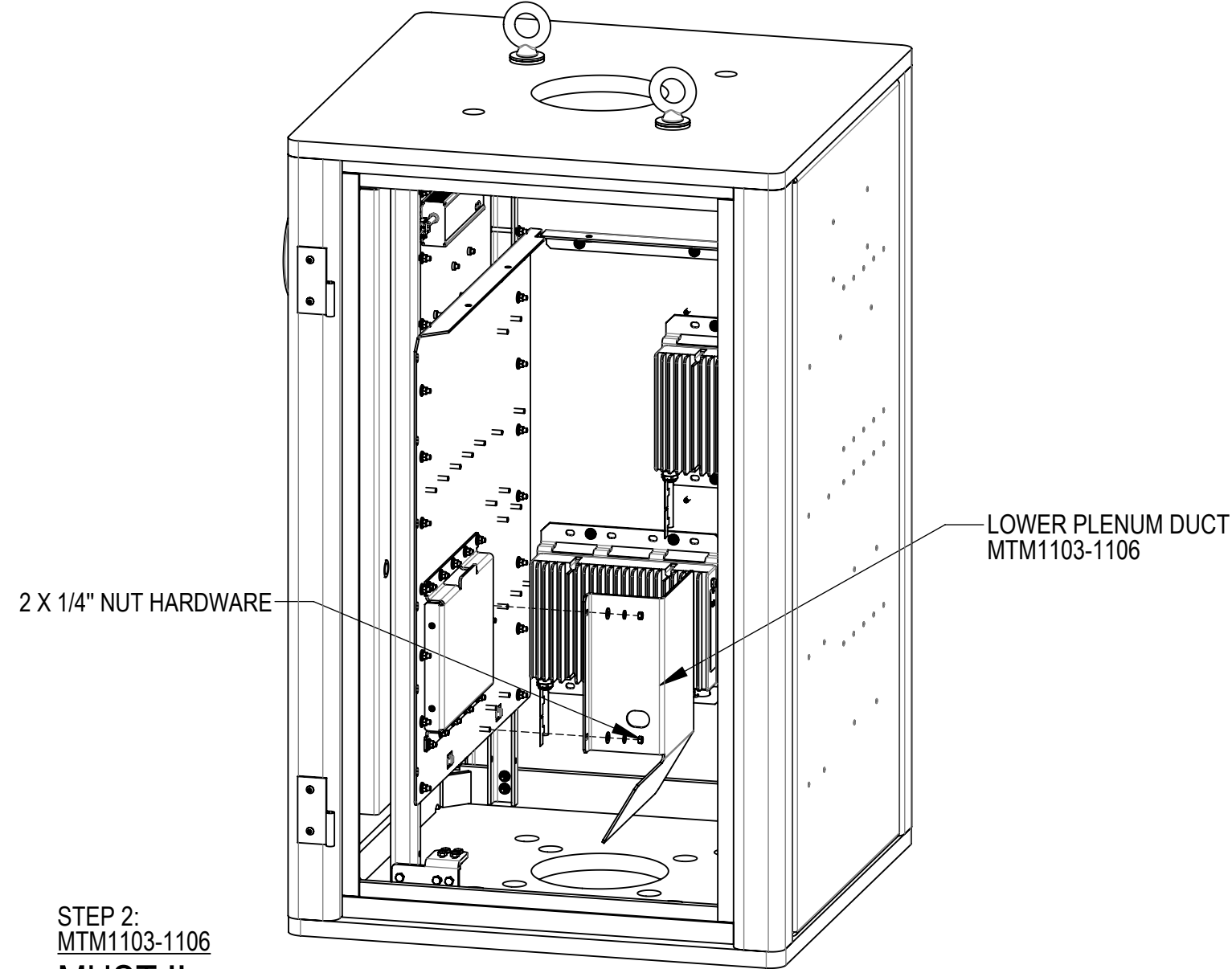
ERICSSON

CONFIGURATION 4 - 4455 & 4449 & 2XAC08 AND DIPLEXER SDX1926Q-43/CBC1726T-4310



STEP 1:
PSU-ERC-AC08

INSTALL PSU AC08 TO THE EQUIPMENT AND SECURE USING 4 SETS OF 1/4" NUT, LOCK WASHER AND FLAT WASHER PER RADIO

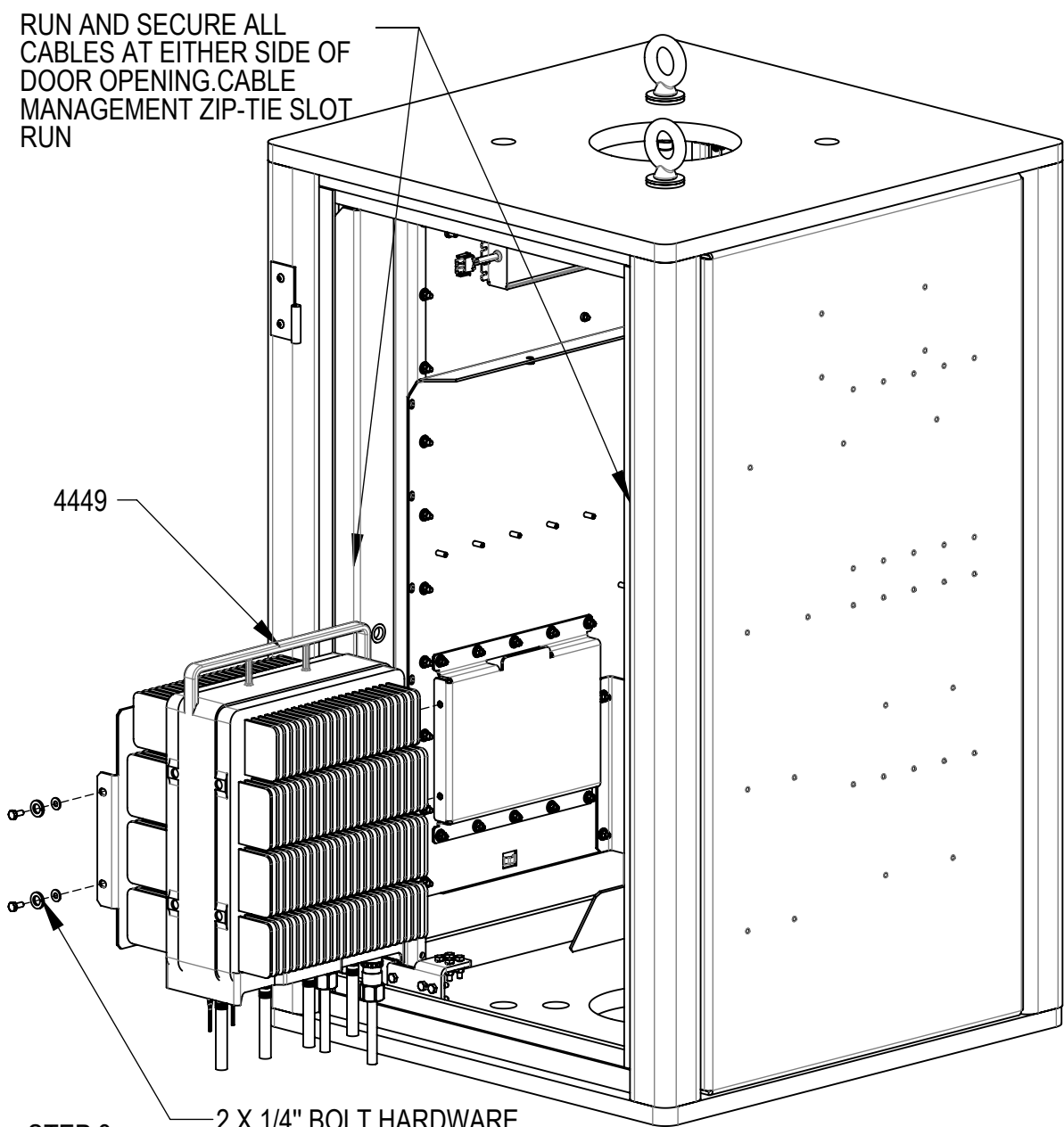


STEP 2:
MTM1103-1106

MUST !!

INSTALL SUPPLIED PLENUM AFTER PSU CABLING INSTALLATION TO PREVENT THERMAL ISSUES. FOR ACPSU-08 CONFIGURATION ONLY.

INSTALL MTM1103-1106 TO THE EQUIPMENT MOUNT BRACKETS AND SECURE USING 2 SETS OF 1/4" NUT, LOCK WASHER AND FLAT WASHER

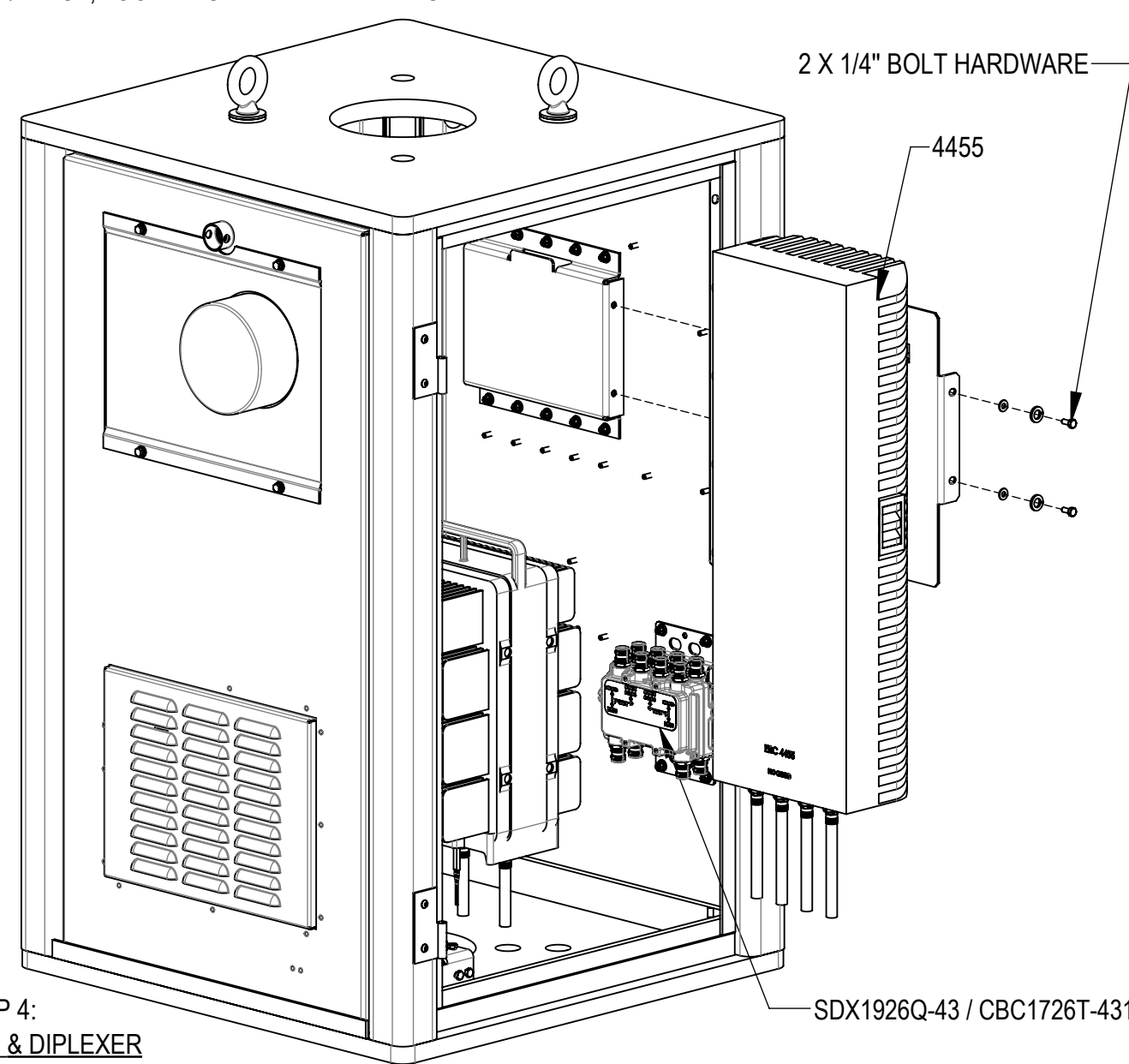


RUN AND SECURE ALL CABLES AT EITHER SIDE OF DOOR OPENING. CABLE MANAGEMENT ZIP-TIE SLOT RUN

STEP 3:
4449

A) AFTER PSU'S AND SMALL PLENUM IS INSTALLED. INSTALL 4449 ON RIGHT SIDE FIRST USING A ROPE & LIFTING EYE AT TOP OF FRAME TO ASSIST RRU INTO PLACE.

B) HANG 4449 WITH BRACKET TO THE EQUIPMENT MOUNT BRACKETS AND SECURE USING 2 SETS OF 1/4" BOLT, LOCK WASHER AND FLAT WASHER

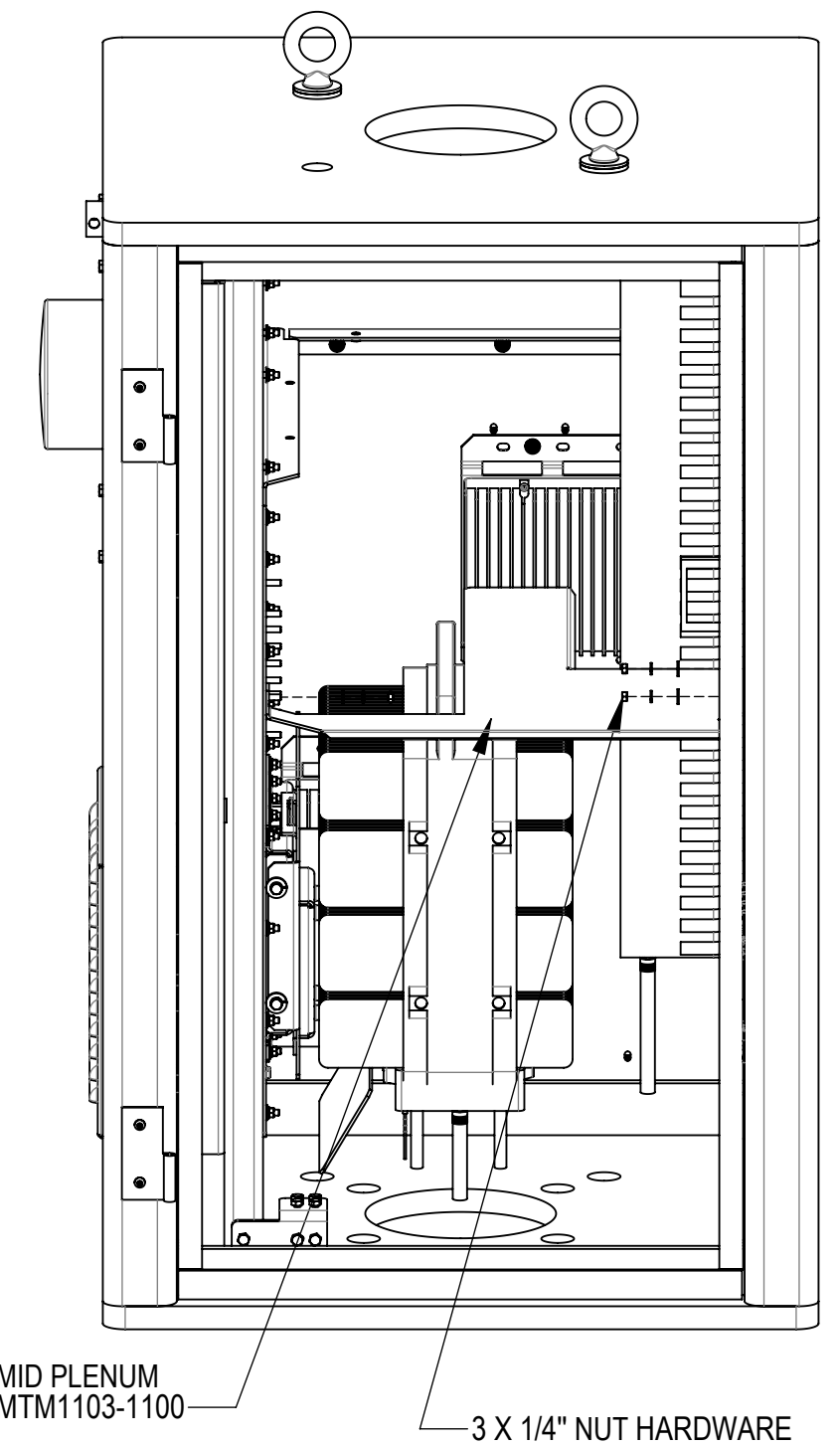


STEP 4:
4455 & DIPLEXER

A) USING A ROPE & LIFTING EYE AT TOP OF FRAME TO ASSIST RRU INTO PLACE.

B) HANG 4455 WITH BRACKET ON SIDE WALL USING 2 SETS OF 1/4" BOLT, LOCK WASHER AND FLAT WASHER

C) INSTALL DIPLEXER WITH BRACKET TO THE EQUIPMENT AND SECURE USING 4 SETS OF 1/4" NUT, LOCK WASHER AND FLAT WASHER



STEP 5:
MTM1103-1110

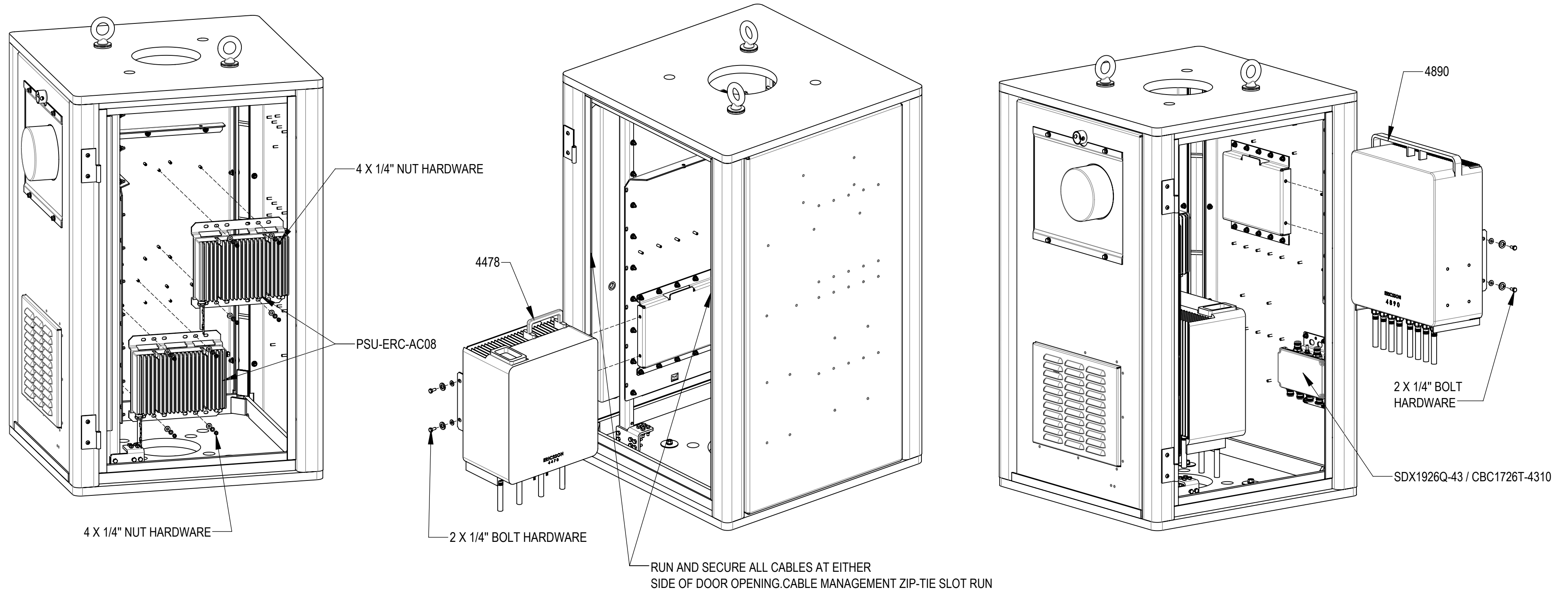
MUST !!

INSTALL MTM1103-1110 TO THE EQUIPMENT MOUNT BRACKETS AND SECURE USING 3 SETS OF 1/4" NUT, LOCK WASHER AND FLAT WASHER

COMMSCOPE, INC. OF NORTH CAROLINA				
TITLE PC30 RRU/PSU INSTALL INSTRUCTIONS				
SIZE C	SCALE 1:12	DOCUMENT NO. MTM1103-RRU-INSTALL		
		DRAWING		SHEET 8 OF 16
		VERSION 07	STATUS RE	

ERICSSON

CONFIGURATION 5 - 4478 & 4890 & 2XAC08 AND DIPLEXER SDX1926Q-43/CBC1726T-4310



STEP 1:
PSU-ERC-AC08-INSTALL ON BACK

INSTALL PSU AC08 TO THE EQUIPMENT AND SECURE USING 4 SETS OF 1/4" NUT, LOCK WASHER AND FLAT WASHER PER RADIO

STEP 2:
4478

- A) AFTER PSU'S AND SMALL PLENUM IS INSTALLED. INSTALL 4478 ON RIGHT SIDE FIRST USING A ROPE & LIFTING EYE AT TOP OF FRAME TO ASSIST RRU INTO PLACE
- B) HANG 4478 WITH BRACKET TO THE EQUIPMENT MOUNT BRACKETS AND SECURE USING 2 SETS OF 1/4" BOLT, LOCK WASHER AND FLAT WASHER

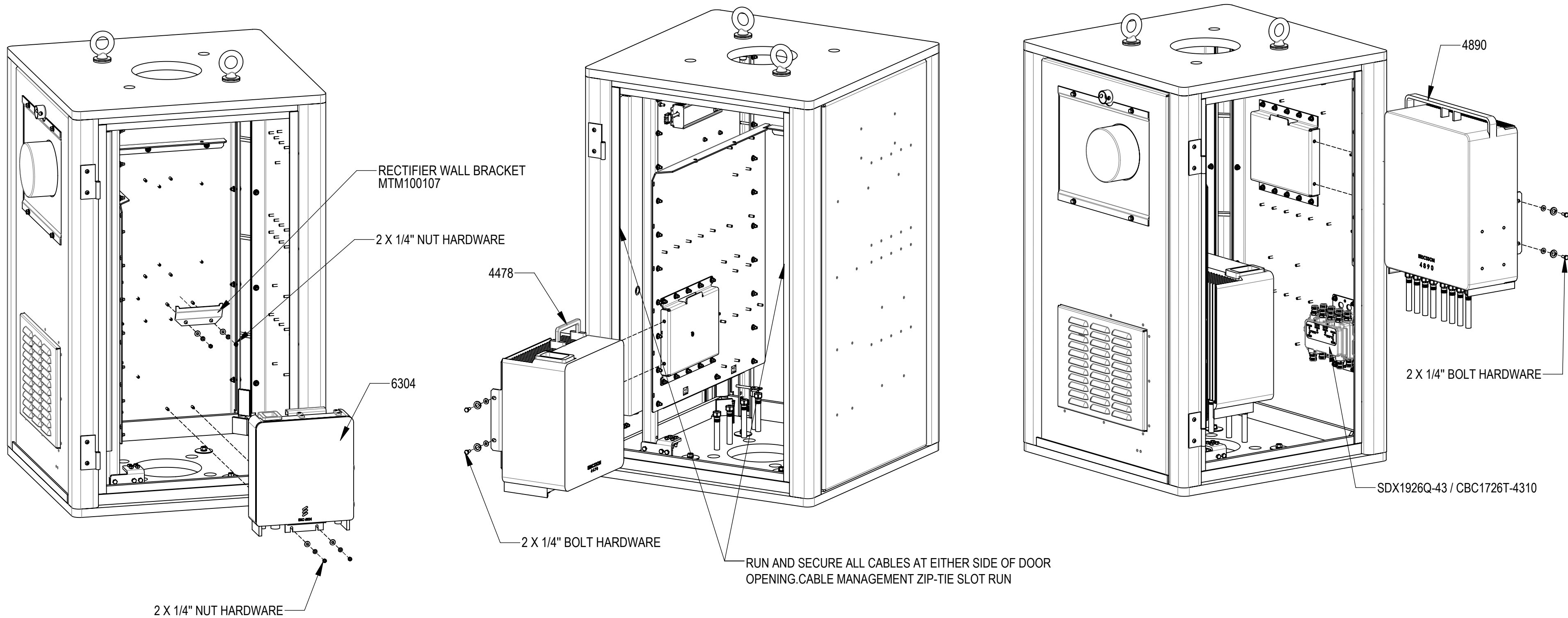
STEP 3:
4890 & DIPLEXER

- A) USING A ROPE & LIFTING EYE AT TOP OF FRAME TO ASSIST RRU INTO PLACE
- B) HANG 4890 WITH BRACKET ON SIDE WALL USING 2 SETS OF 1/4" BOLT, LOCK WASHER AND FLAT WASHER
- C) INSTALL DIPLEXER WITH BRACKET TO THE EQUIPMENT AND SECURE USING 4 SETS OF 1/4" NUT, LOCK WASHER AND FLAT WASHER

COMMSCOPE, INC. OF NORTH CAROLINA				
TITLE PC30 RRU/PSU INSTALL INSTRUCTIONS				
SIZE C	SCALE 1:12	DOCUMENT NO. MTM1103-RRU-INSTALL		
DRAWING		VERSION	STATUS	REVISION
		07	RE	E
				SHEET 9 OF 16

ERICSSON

CONFIGURATION 6 - 4478 & 4890 & 6304 AND DIPLEXER SDX1926Q-43/CBC1726T-4310



STEP 1:
6304

- A) INSTALL MTM100107 TO THE EQUIPMENT AND SECURE USING 2 SETS OF 1/4" NUT, LOCK WASHER AND FLAT WASHER
- B) HANG 6304 ON THE MTM100107 AND SECURE IT TO THE EQUIPMENT USING 2 SETS OF 1/4" NUT, LOCK WASHER AND FLAT WASHER

STEP 2:
4478

- A) AFTER PSU'S AND SMALL PLENUM IS INSTALLED. INSTALL 4478 ON RIGHT SIDE FIRST USING A ROPE & LIFTING EYE AT TOP OF FRAME TO ASSIST RRU INTO PLACE
- B) HANG 4478 WITH BRACKET TO THE EQUIPMENT MOUNT BRACKETS AND SECURE USING 2 SETS OF 1/4" BOLT, LOCK WASHER AND FLAT WASHER

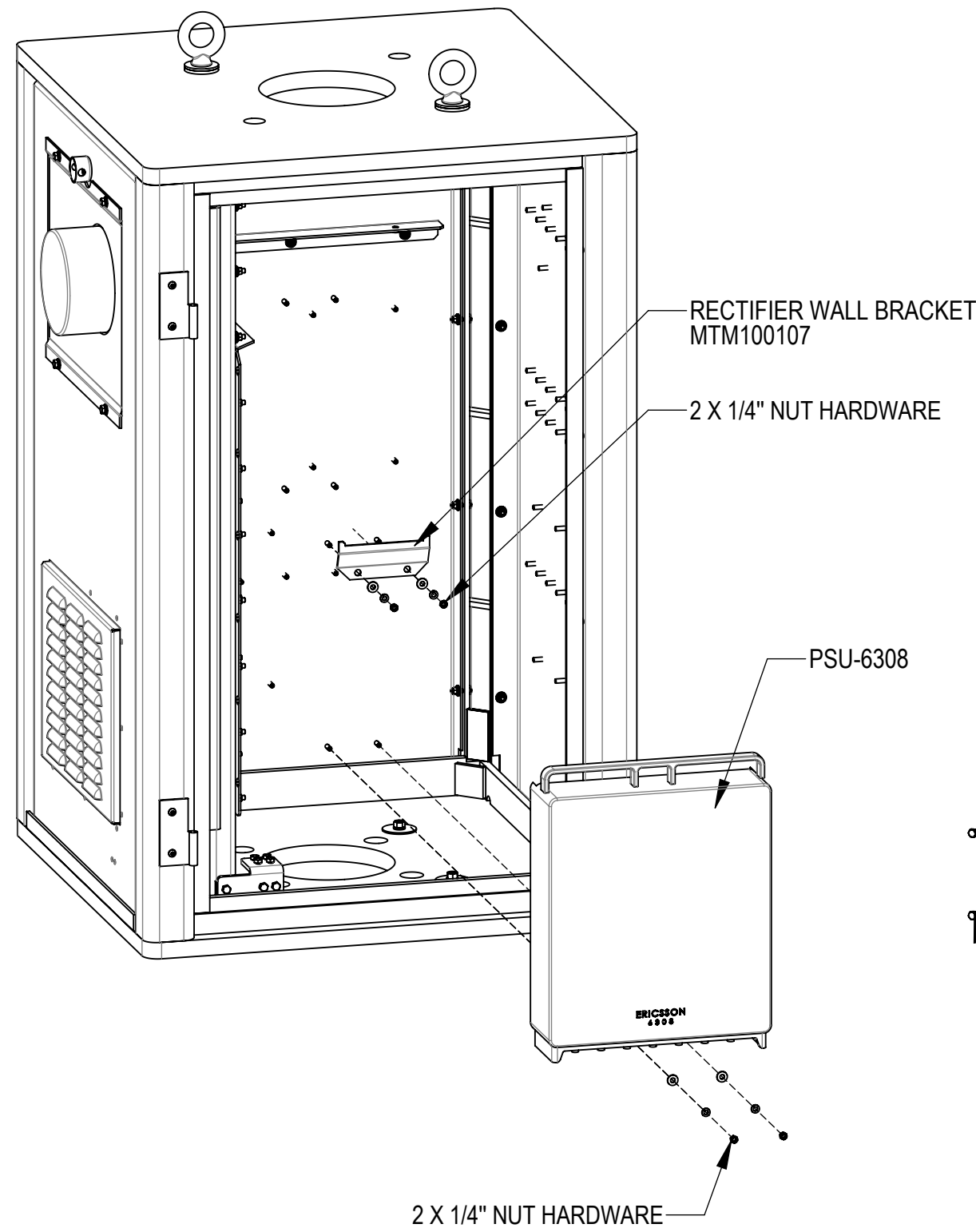
STEP 3:
4890 & DIPLEXER

- A) USING A ROPE & LIFTING EYE AT TOP OF FRAME TO ASSIST RRU INTO PLACE
- B) HANG 4890 WITH BRACKET ON SIDE WALL USING 2 SETS OF 1/4" BOLT, LOCK WASHER AND FLAT WASHER
- C) INSTALL DIPLEXER WITH BRACKET TO THE EQUIPMENT AND SECURE USING 4 SETS OF 1/4" NUT, LOCK WASHER AND FLAT WASHER

COMMSCOPE, INC. OF NORTH CAROLINA				
TITLE PC30 RRU/PSU INSTALL INSTRUCTIONS				
SIZE C	SCALE 1:12	DOCUMENT NO. MTM1103-RRU-INSTALL		
DRAWING		VERSION	STATUS	REVISION
		07	RE	E
				SHEET 10 OF 16

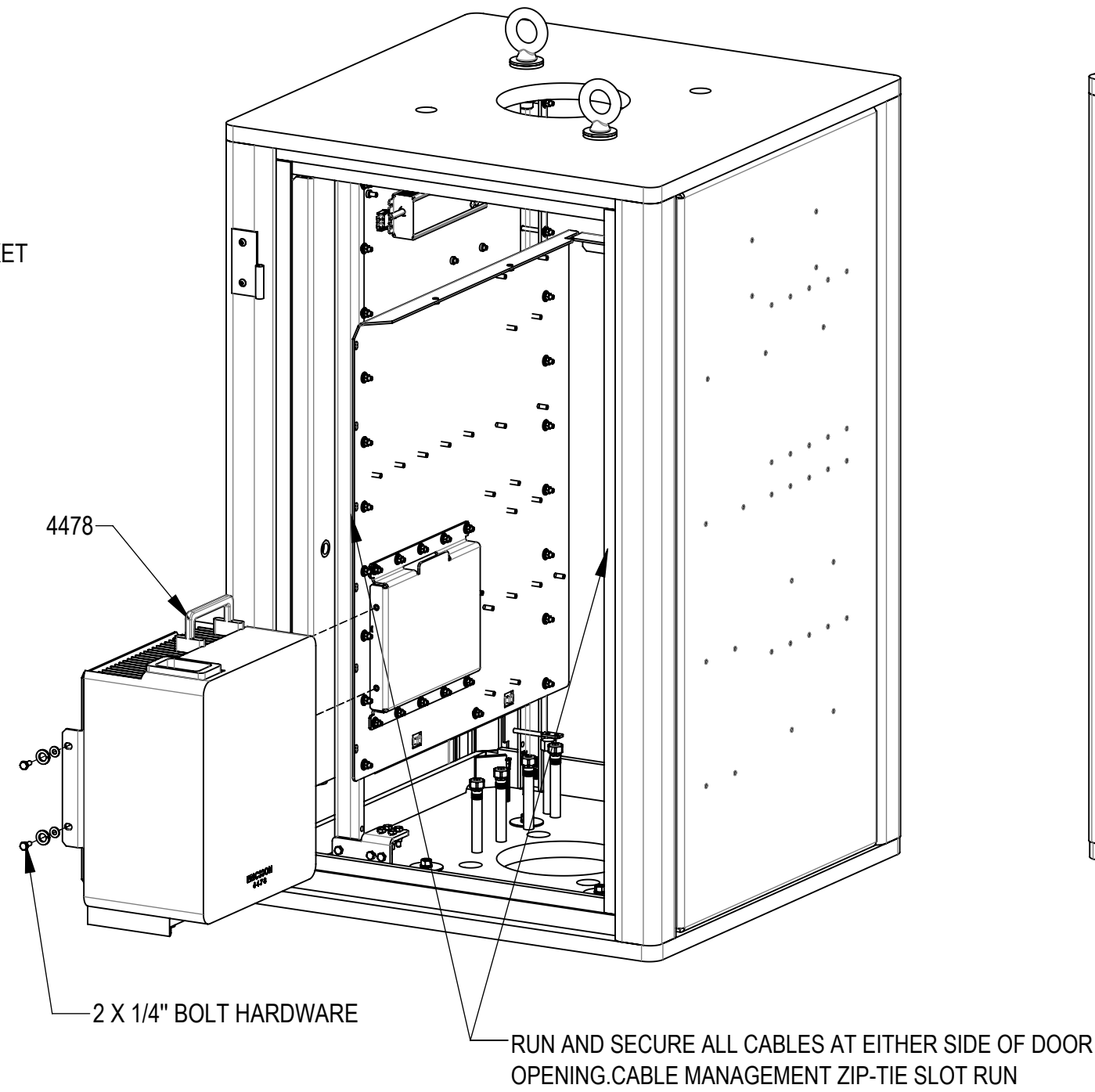
ERICSSON

CONFIGURATION 7 - 4478 & 4890 & 6308 AND DIPLEXER SDX1926Q-43/CBC1726T-4310



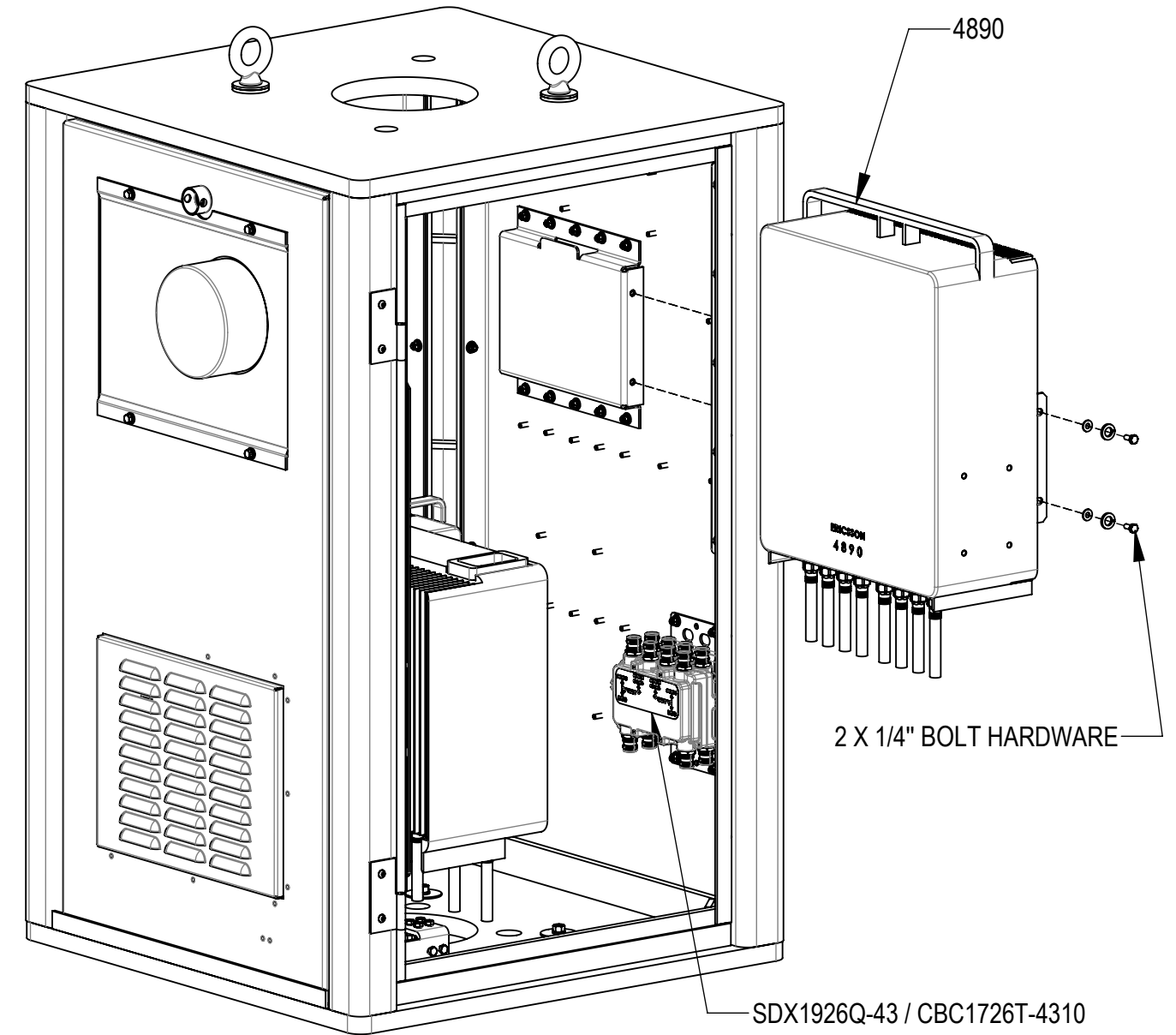
STEP 1:
PSU-6308-INSTALL ON BACK

- A) INSTALL MTM100107 TO THE EQUIPMENT AND SECURE USING 2 SETS OF 1/4" NUT, LOCK WASHER AND FLAT WASHER
- B) HANG PSU 6308 ON THE MTM100107 AND SECURE IT TO THE EQUIPMENT USING 2 SETS OF 1/4" NUT, LOCK WASHER AND FLAT WASHER



STEP 2:
4478

- A) AFTER PSU'S AND SMALL PLENUM IS INSTALLED. INSTALL 4478 ON RIGHT SIDE FIRST USING A ROPE & LIFTING EYE AT TOP OF FRAME TO ASSIST RRU INTO PLACE
- B) HANG 4478 WITH BRACKET TO THE EQUIPMENT MOUNT BRACKETS AND SECURE USING 2 SETS OF 1/4" BOLT, LOCK WASHER AND FLAT WASHER



STEP 3:
4890 & DIPLEXER

- A) USING A ROPE & LIFTING EYE AT TOP OF FRAME TO ASSIST RRU INTO PLACE
- B) HANG 4890 WITH BRACKET ON SIDE WALL USING 2 SETS OF 1/4" BOLT, LOCK WASHER AND FLAT WASHER
- C) INSTALL DIPLEXER WITH BRACKET TO THE EQUIPMENT AND SECURE USING 4 SETS OF 1/4" NUT, LOCK WASHER AND FLAT WASHER

COMMSCOPE, INC. OF NORTH CAROLINA				
TITLE PC30 RRU/PSU INSTALL INSTRUCTIONS				
SIZE C	SCALE 1:24	DOCUMENT NO. MTM1103-RRU-INSTALL		
DRAWING		VERSION	STATUS	REVISION
		07	RE	E
				SHEET 11 OF 16

4

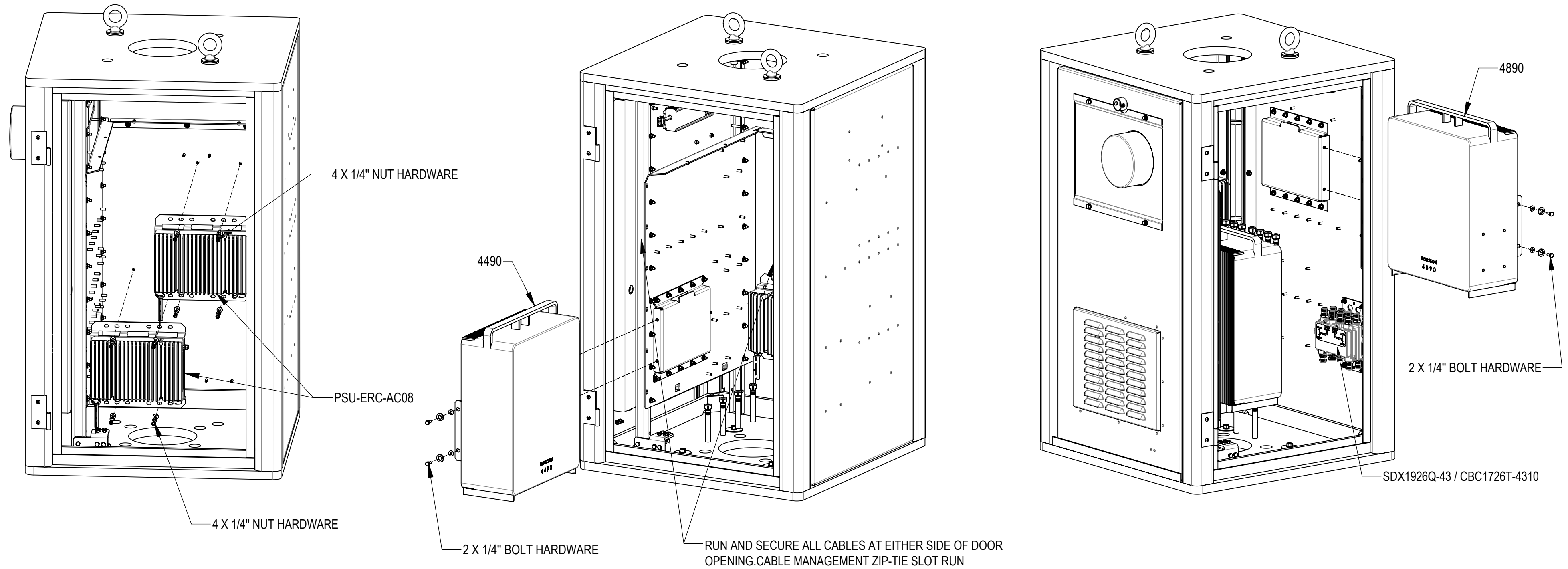
3

2

1

ERICSSON

CONFIGURATION 8 - 4490 & 4890 & 2X AC08 AND DIPLEXER SDX1926Q-43/CBC1726T-4310



STEP 1:
PSU-ERC-AC08-INSTALL ON BACK

INSTALL PSU AC08 TO THE EQUIPMENT AND SECURE USING 4 SETS OF 1/4" NUT, LOCK WASHER AND FLAT WASHER PER RADIO

STEP 2:
4490

A) AFTER PSU'S AND SMALL PLENUM IS INSTALLED. INSTALL 4490 ON RIGHT SIDE FIRST USING A ROPE & LIFTING EYE AT TOP OF FRAME TO ASSIST RRU INTO PLACE

B) HANG 4490 WITH BRACKET TO THE EQUIPMENT MOUNT BRACKETS AND SECURE USING 2 SETS OF 1/4" BOLT, LOCK WASHER AND FLAT WASHER

STEP 3:
4890 & DIPLEXER


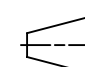
A) USING A ROPE & LIFTING EYE AT TOP OF FRAME TO ASSIST RRU INTO PLACE

B) HANG 4890 WITH BRACKET ON SIDE WALL USING 2 SETS OF 1/4" BOLT, LOCK WASHER AND FLAT WASHER

C) INSTALL DIPLEXER WITH BRACKET TO THE EQUIPMENT AND SECURE USING 4 SETS OF 1/4" NUT, LOCK WASHER AND FLAT WASHER

COMMSCOPE, INC. OF NORTH CAROLINA

TITLE
PC30 RRU/PSU INSTALL INSTRUCTIONS

SIZE C	SCALE 1:24	DOCUMENT NO. MTM1103-RRU-INSTALL			
 		DRAWING			SHEET 12 OF 16
		VERSION 07	STATUS RE	REVISION E	

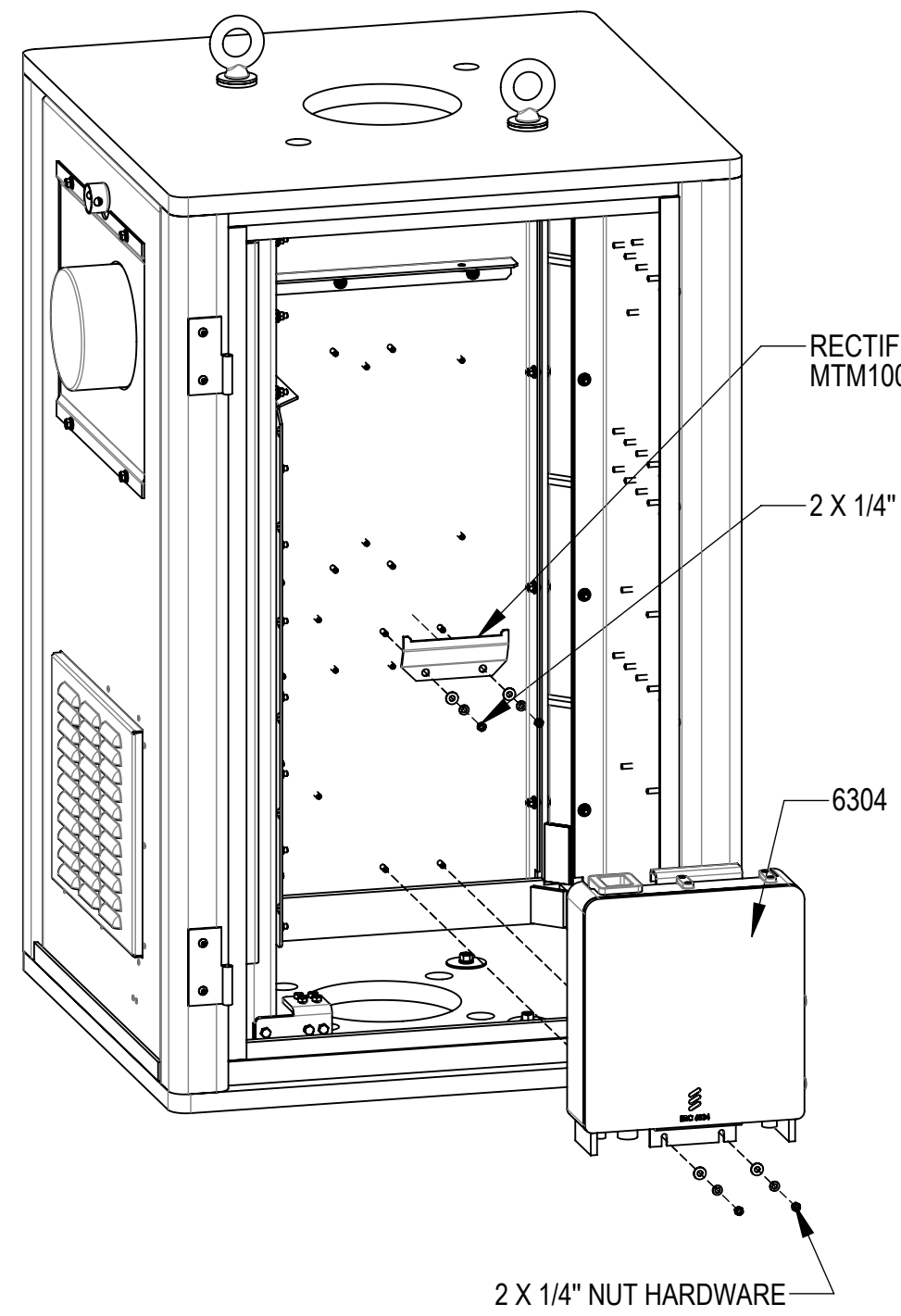
4

3

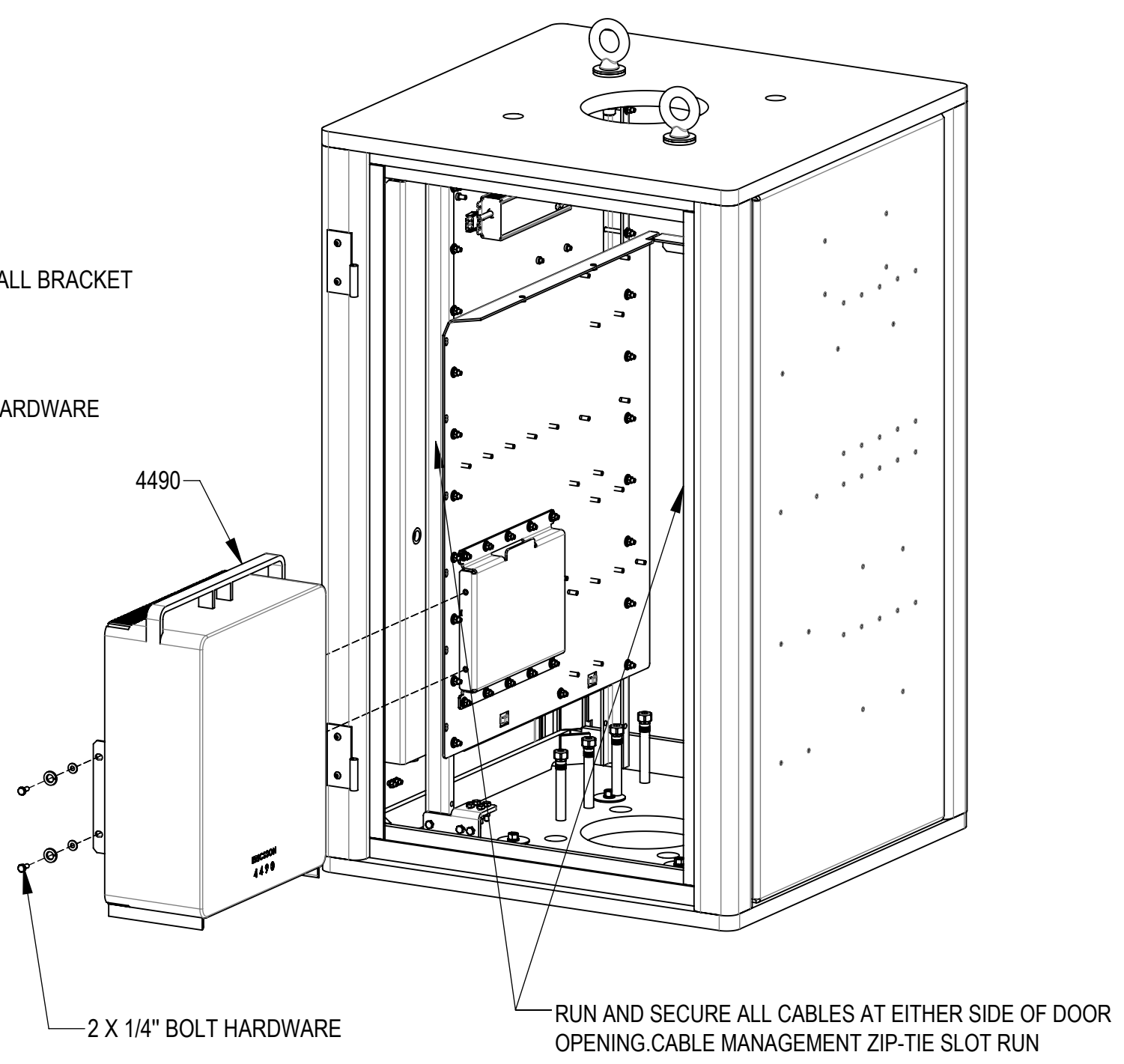
2

1

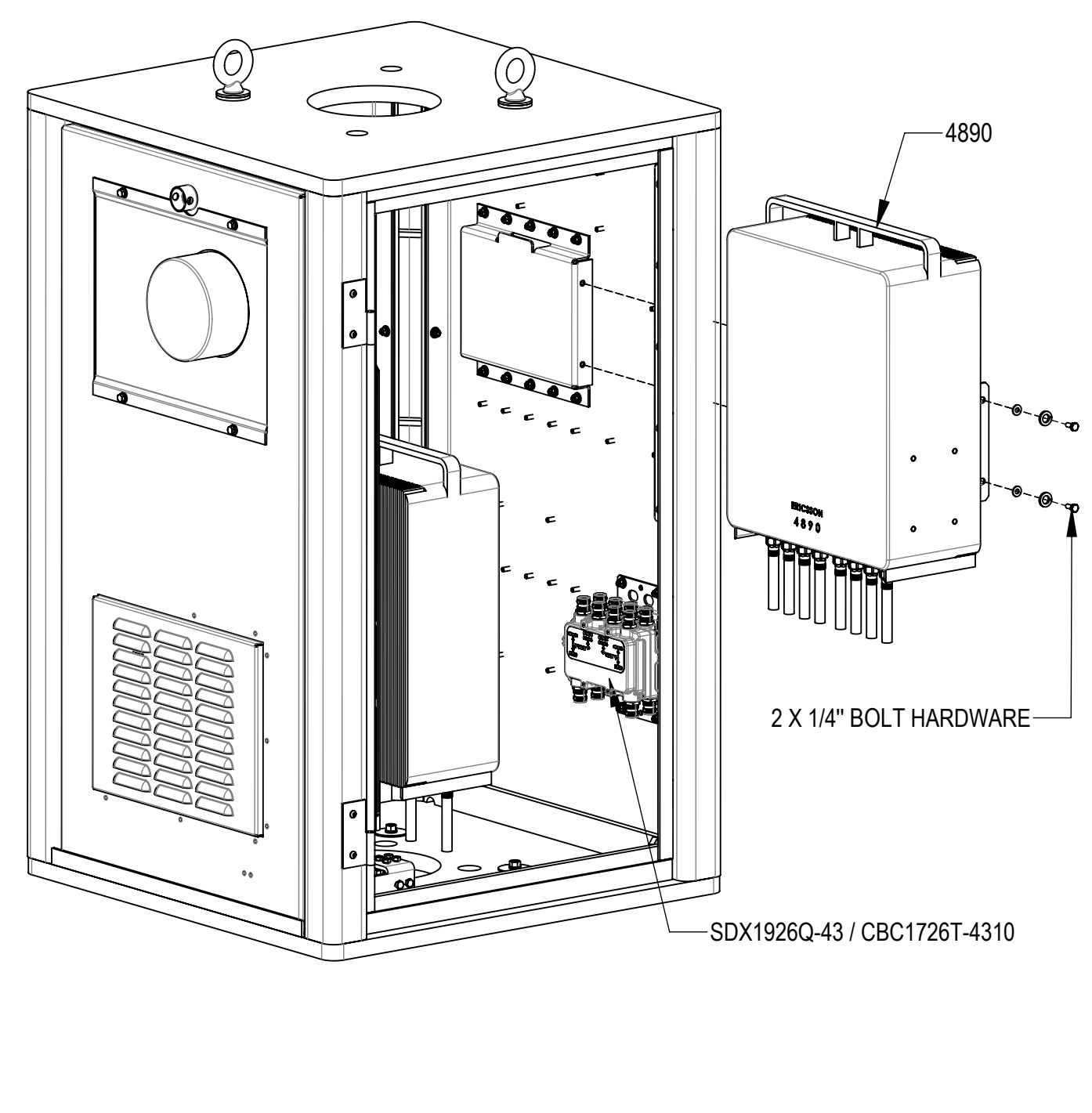
ERICSSON
CONFIGURATION 9 - 4490 & 4890 & 6304 AND DIPLEXER SDX1926Q-43/CBC1726T-4310



STEP 1:
6304
 INSTALL 6304 TO THE EQUIPMENT AND SECURE USING 4 SETS OF 1/4" NUT, LOCK WASHER AND FLAT WASHER PER RADIO



STEP 2:
4490
 A) AFTER PSU'S AND SMALL PLENUM IS INSTALLED. INSTALL 4490 ON RIGHT SIDE FIRST USING A ROPE & LIFTING EYE AT TOP OF FRAME TO ASSIST RRU INTO PLACE
 B) HANG 4490 WITH BRACKET TO THE EQUIPMENT MOUNT BRACKETS AND SECURE USING 2 SETS OF 1/4" BOLT, LOCK WASHER AND FLAT WASHER

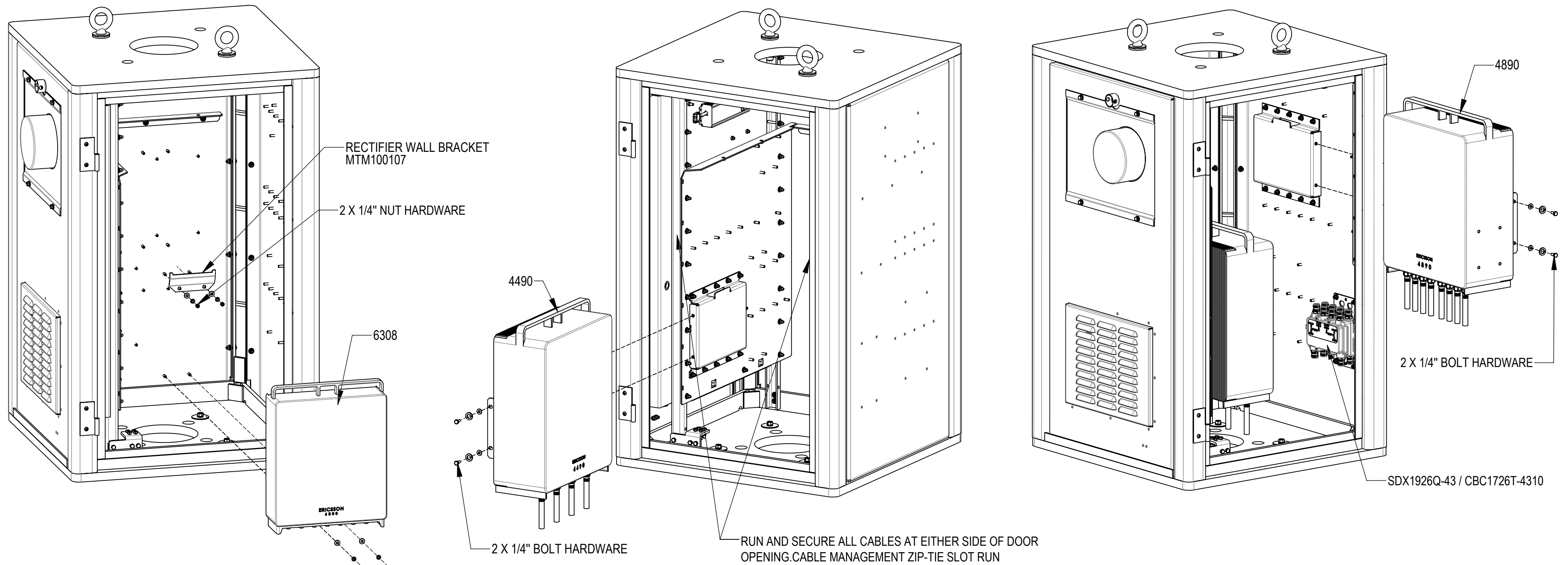


STEP 3:
4890 & DIPLEXER
 A) USING A ROPE & LIFTING EYE AT TOP OF FRAME TO ASSIST RRU INTO PLACE
 B) HANG 4890 WITH BRACKET ON SIDE WALL USING 2 SETS OF 1/4" BOLT, LOCK WASHER AND FLAT WASHER
 C) INSTALL DIPLEXER WITH BRACKET TO THE EQUIPMENT AND SECURE USING 4 SETS OF 1/4" NUT, LOCK WASHER AND FLAT WASHER

COMMSCOPE, INC. OF NORTH CAROLINA				
TITLE PC30 RRU/PSU INSTALL INSTRUCTIONS				
SIZE C	SCALE 1:24	DOCUMENT NO. MTM1103-RRU-INSTALL		
		DRAWING		SHEET
		VERSION 07	STATUS RE	REVISION E
				13 OF 16

ERICSSON

CONFIGURATION 10 - 4490 & 4890 & 6308 AND DIPLEXER SDX1926Q-43/CBC1726T-4310



STEP 1:
6308

INSTALL 6308 TO THE EQUIPMENT AND SECURE USING 4 SETS OF 1/4" NUT, LOCK WASHER AND FLAT WASHER PER RADIO

STEP 2:
4490

- A) AFTER PSU'S AND SMALL PLENUM IS INSTALLED. INSTALL 4490 ON RIGHT SIDE FIRST USING A ROPE & LIFTING EYE AT TOP OF FRAME TO ASSIST RRU INTO PLACE
- B) HANG 4490 WITH BRACKET TO THE EQUIPMENT MOUNT BRACKETS AND SECURE USING 2 SETS OF 1/4" BOLT, LOCK WASHER AND FLAT WASHER

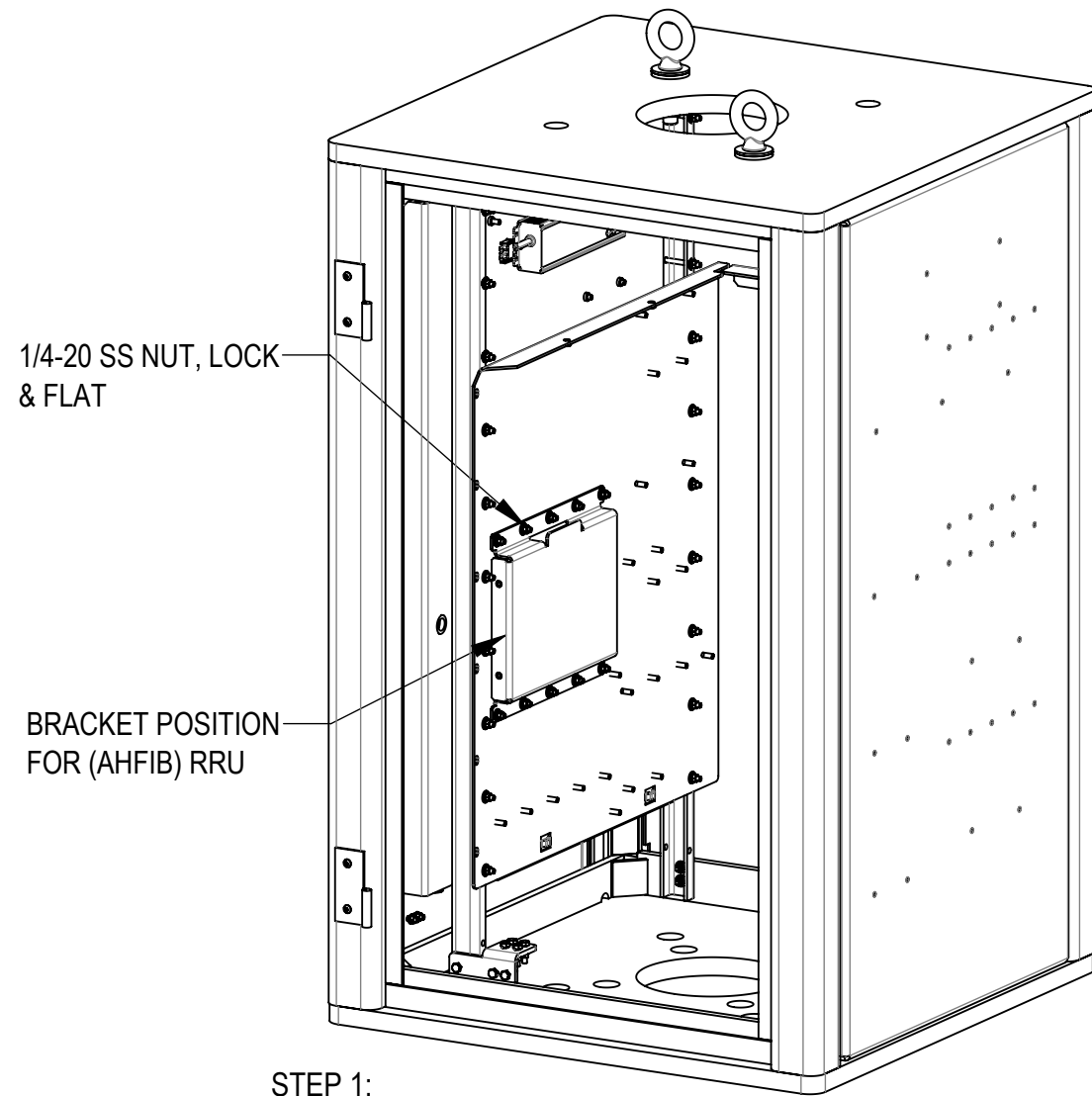
STEP 3:
4890 & DIPLEXER

- A) USING A ROPE & LIFTING EYE AT TOP OF FRAME TO ASSIST RRU INTO PLACE
- B) HANG 4890 WITH BRACKET ON SIDE WALL USING 2 SETS OF 1/4" BOLT, LOCK WASHER AND FLAT WASHER
- C) INSTALL DIPLEXER WITH BRACKET TO THE EQUIPMENT AND SECURE USING 4 SETS OF 1/4" NUT, LOCK WASHER AND FLAT WASHER

COMMSCOPE, INC. OF NORTH CAROLINA				
TITLE PC30 RRU/PSU INSTALL INSTRUCTIONS				
SIZE C	SCALE 1:24	DOCUMENT NO. MTM1103-RRU-INSTALL		
DRAWING		VERSION	STATUS	REVISION
		07	RE	E
				SHEET 14 OF 16

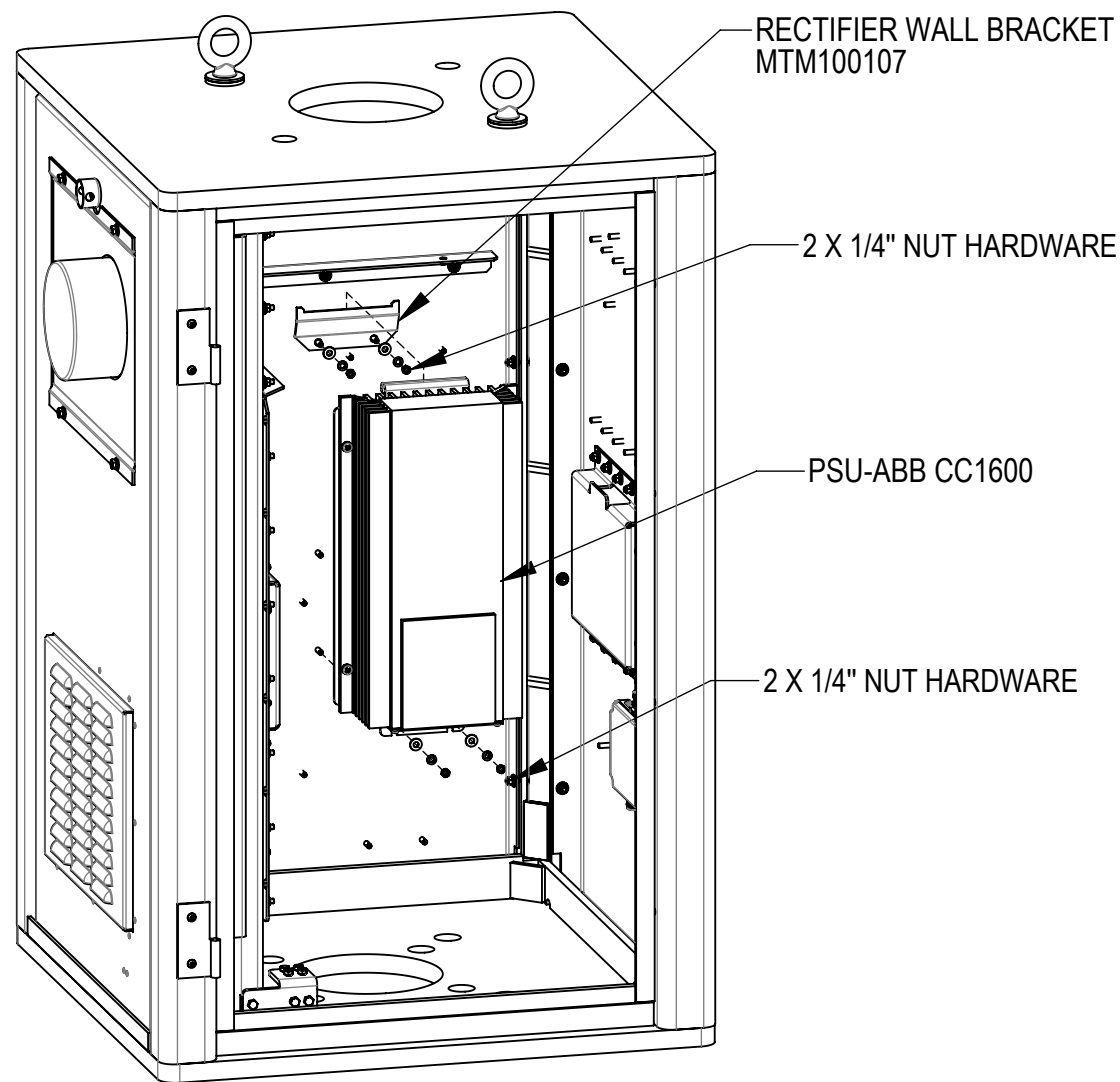
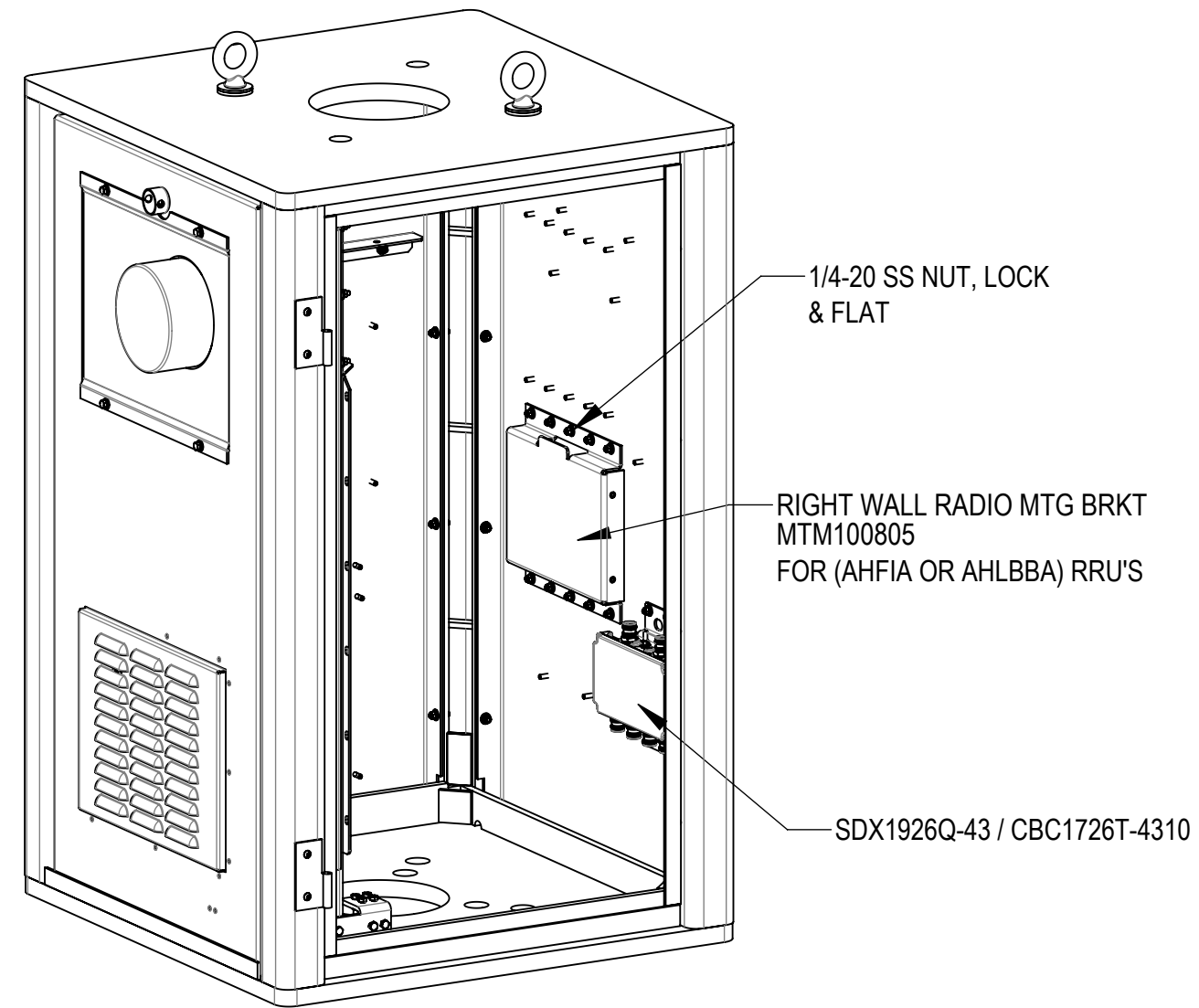
NOKIA

CONFIGURATION 2 - AHFIB/AHFIA/AHLBBA & 2X ABB CC1600 AND DIPLEXER SDX1926Q-43/CBC1726T-4310



STEP 1:
MTM100805

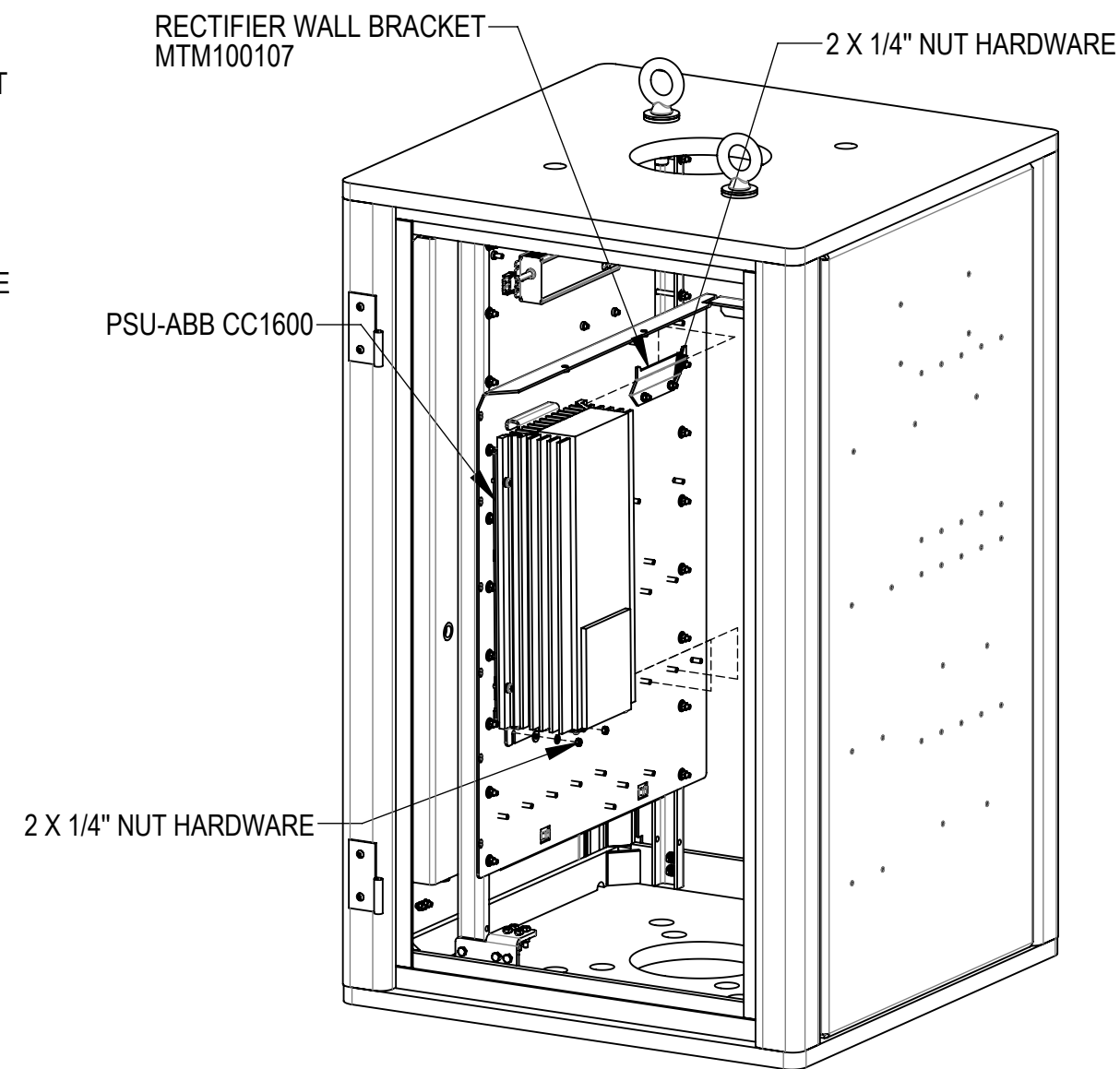
MOVE MTM100805 TO THIS POSITIONS SHOWN



STEP 2:
PSU-ABB CC1600-INSTALL ON BACK

A) INSTALL MTM100107 TO THE EQUIPMENT MOUNT BRACKETS AND SECURE USING 2 SETS OF 1/4"NUT, LOCK WASHER AND FLAT WASHER

B) HANG ABB CC1600 ON THE MTM100107 AND SECURE IT TO THE EQUIPMENT MOUNT BRACKETS USING 2 SETS OF 1/4"NUT, LOCK WASHER AND FLAT WASHER



STEP 3:
PSU-ABB CC1600-INSTALL ON LEFT SIDE

A) INSTALL MTM100107 TO THE EQUIPMENT MOUNT BRACKETS AND SECURE USING 2 SETS OF 1/4"NUT, LOCK WASHER AND FLAT WASHER

B) HANG ABB CC1600 ON THE MTM100107 AND SECURE IT TO THE EQUIPMENT MOUNT BRACKETS USING 2 SETS OF 1/4"NUT, LOCK WASHER AND FLAT WASHER

STEP 4:
RRU INSTALLATION

AFTER PSU'S AND SMALL PLENUM IS INSTALLED. CONNECT ALL POWER AND CABLE CONNECTIONS THAT YOU CAN TO PSU'S. INSTALL AHFIA /AHFIB REFERENCE STEP 4 AND 5 ON CONFIGURATION 1.

COMMSCOPE, INC. OF NORTH CAROLINA				
TITLE PC30 RRU/PSU INSTALL INSTRUCTIONS				
SIZE C	SCALE 1:12	DOCUMENT NO. MTM1103-RRU-INSTALL		
DRAWING		REVISION		SHEET
VERSION 07	STATUS RE	REVISION E	16 OF 16	