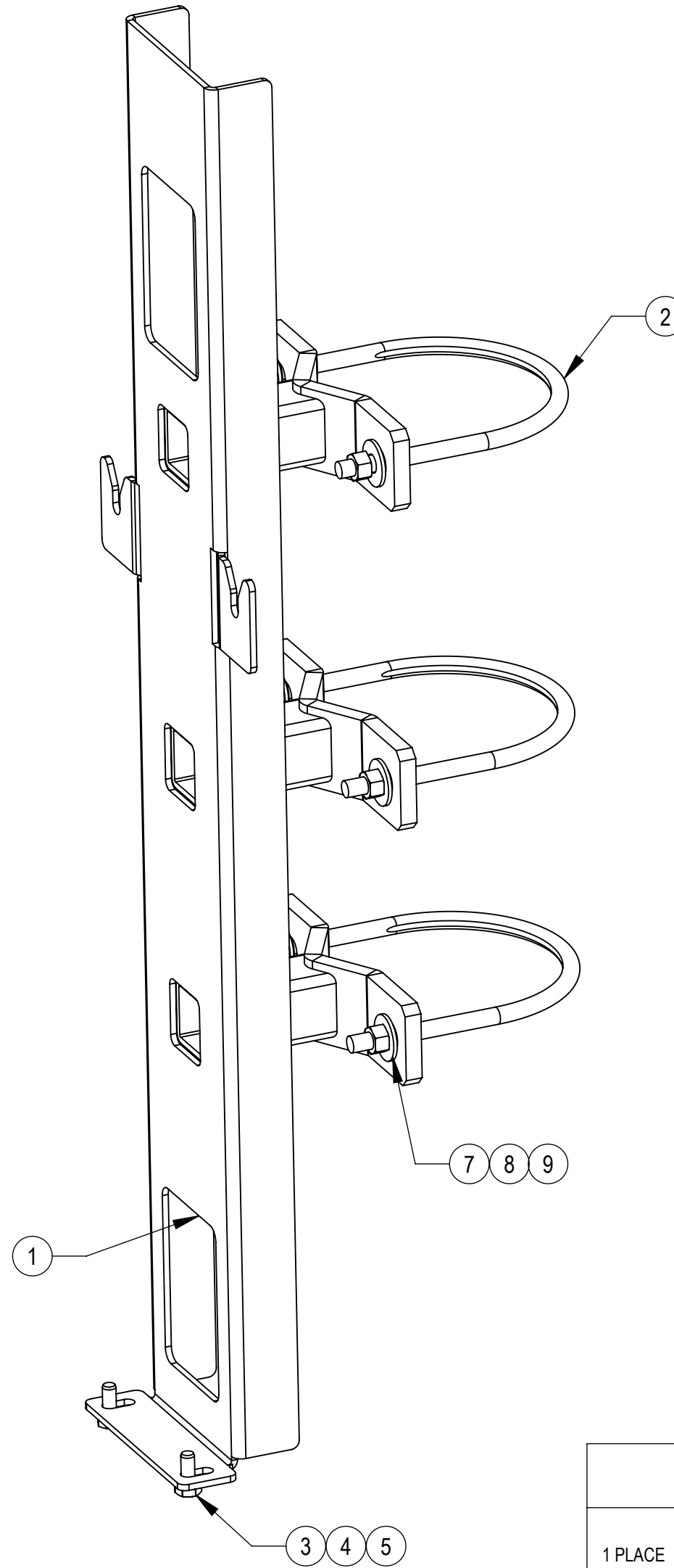


- 1. GENERAL NOTES
 - 1.1 ALL METRIC DIMENSIONS ARE IN BRACKETS
 - 1.2 FEATURES CRITICAL TO QUALITY ARE INDICATED IN ROUNDED BOX (XX)
- 2. DESIGN NOTES
- 3. MANUFACTURING/SPECIAL REQUIREMENT
 - 3.1 "ANTI-SEIZE" SHALL BE USED ON ALL STAINLESS TO STAINLESS HARDWARE CONNECTIONS
 - 3.2 "NO-OX" SHALL BE USED ON ALL CHASSIS TO GROUND CABLE CONNECTIONS
 - 3.3 INSTALL POLE MOUNT BRACKET ON BACK OF ENCLOSURE USING HARDWARE PROVIDED WITH THE ENCLOSURE
- 4. TEST
- 5. PACKAGING
 - 5.1 PACKAGING SHALL MEET COMMSCOPE REQUIREMENTS PER DOCUMENT IS-PL-3005
 - 5.2 PLACE ITEMS 2,3,4,5,7,8 AND 9 IN POLYBAG FOR CUSTOMER INSTALLATION
 - 5.3 PRINTED DOCUMENT TO BE PLACED IN ENCLOSURE FOR CUSTOMER REFERENC
 - 5.4 REFERENCE DOCUMENT PACK-860661823ST-XX FOR PACKAGIN REQ.

REVISIONS			
REV.	DESCRIPTION	DATE	APPROVED
A	INITIAL RELEASE	CA1022 25MAR22	AK1101 40138941CMO
B	ITEM NO.7 REPLACED FROM SWF-04 TO SWL-04 AND SHEET 4 THE MODEL REPLACED TO MV2	LL1090 01FEB23	SH1132 40164198CMO

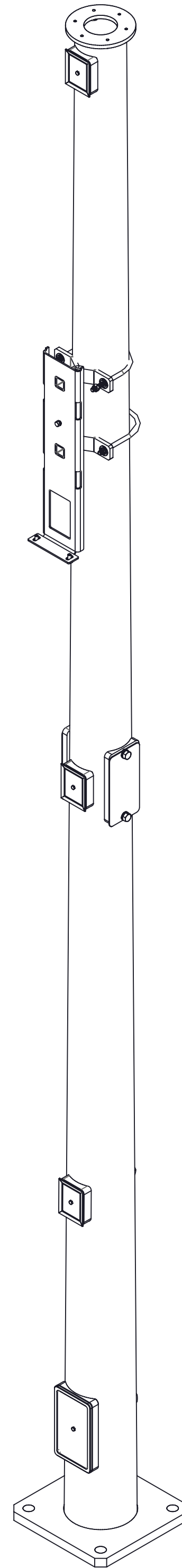
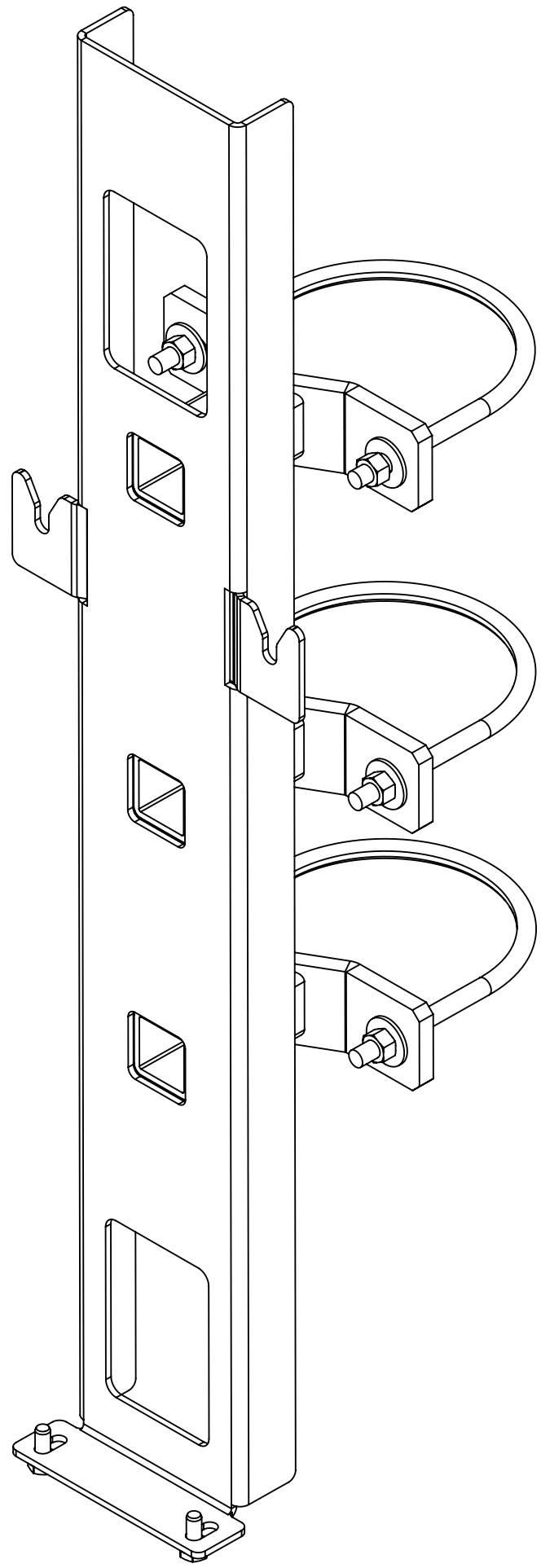



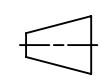
COMPONENT PART NUMBERS PROVIDED FOR ASSEMBLY PURPOSES;
INDIVIDUAL COMPONENTS MAY BE SHIPPED AS PARTS WITHIN AN INCLUDED KIT.

ITEM NO.	PART NUMBER	DESCRIPTION	QTY.	NOTE
1	MTM1149-0200-XX	5IN-STAND, TAPERED POLE BKT, WELD	1	
2	GUB-4668	1/2" X 6-3/4" X 8" GALV U-BOLT	3	5.2
3	100521-109	WSHR, FLAT, M10, 10.5X20X1.20, SST, PASS	2	5.2
4	MTC9416	M10 X 25mm HEX BOLT SS	2	5.2
5	100522-37	WSHR, LK, SPLT, M10, SST, PASS	2	5.2
7	GWL-04	1/2" SS LOCK WASHER	6	5.2
8	GWV-04	GALV FLAT WASHER, 1/2" (EA)	6	5.2
9	GN-04	1/2" GALV NUT	6	5.2
9000	860661823ST-XX	MV2-XX"-STNDOFF, TAPERED POLE BKT KIT	1	5.3

DENSITY	39.716	lbs/in ³
MASS	456.367	lbs
VOLUME	6679.526	in ³
SURFACE AREA		in ²
HEIGHT	43.8[1111.56]	
LENGTH	14.0[355.60]	
WIDTH	10.4[265.2]	

COMMSCOPE, INC. OF NORTH CAROLINA									
TOLERANCES					SAP MATERIAL MASTER				
1 PLACE .X[X] ± 0.25[6]			3 PLACE .XXX[.XX] ± 0.060[1.50]		860661823ST-XX				
2 PLACE .XX[X] ± 0.12[3.0]			ANGLES ± 2°						
FINISH					MATERIAL				
UNLESS OTHERWISE SPECIFIED DIMENSIONS ARE IN INCHES INTERPRET PER ANSI Y 14.5M-1994	CE	NAME	DATE	MV2-XX"-STNDOFF, TAPERED POLE BKT KIT					
	RW	CA1022	01/05/2022						
	AD	LL1090	02/23/2023	SCALE		DOCUMENT NO.			
	RE			1:3		860661823ST-XX			
	ECN	40164198CMO							
SIZE	Auth Group	INSL	MODEL			DRAWING			SHEET 1 OF 4
C			VERSION	STATUS	REVISION	VERSION	STATUS	REVISION	
			01	RE	B	01	RE	B	



COMMSCOPE, INC. OF NORTH CAROLINA				
TITLE MV2-5"-STNDOFF, TAPERED POLE BKT KIT				
SIZE C	SCALE 1:8	DOCUMENT NO. 860661823ST-XX		
 		DRAWING		SHEET
		VERSION 01	STATUS RE	REVISION B

© 2023 CommScope, Inc. Confidential

4

3

2

1

D

D

C

C

B

B

A

A

4

3

2

1

4

3

2

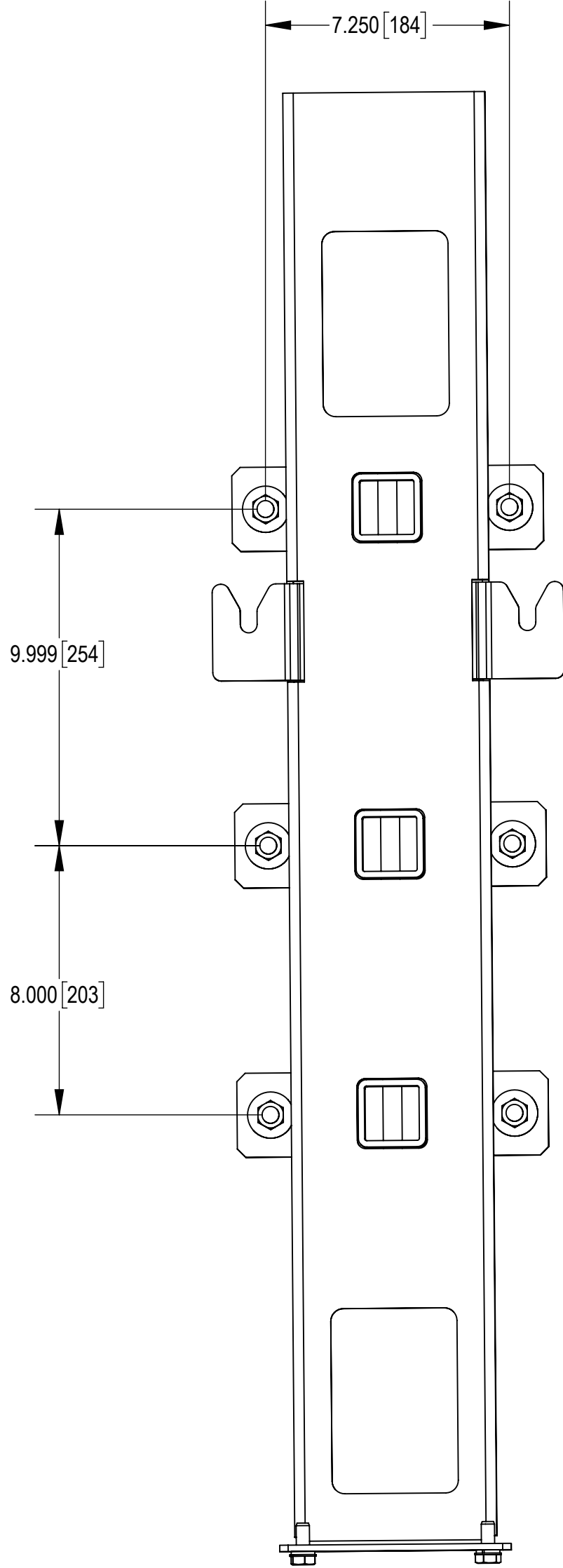
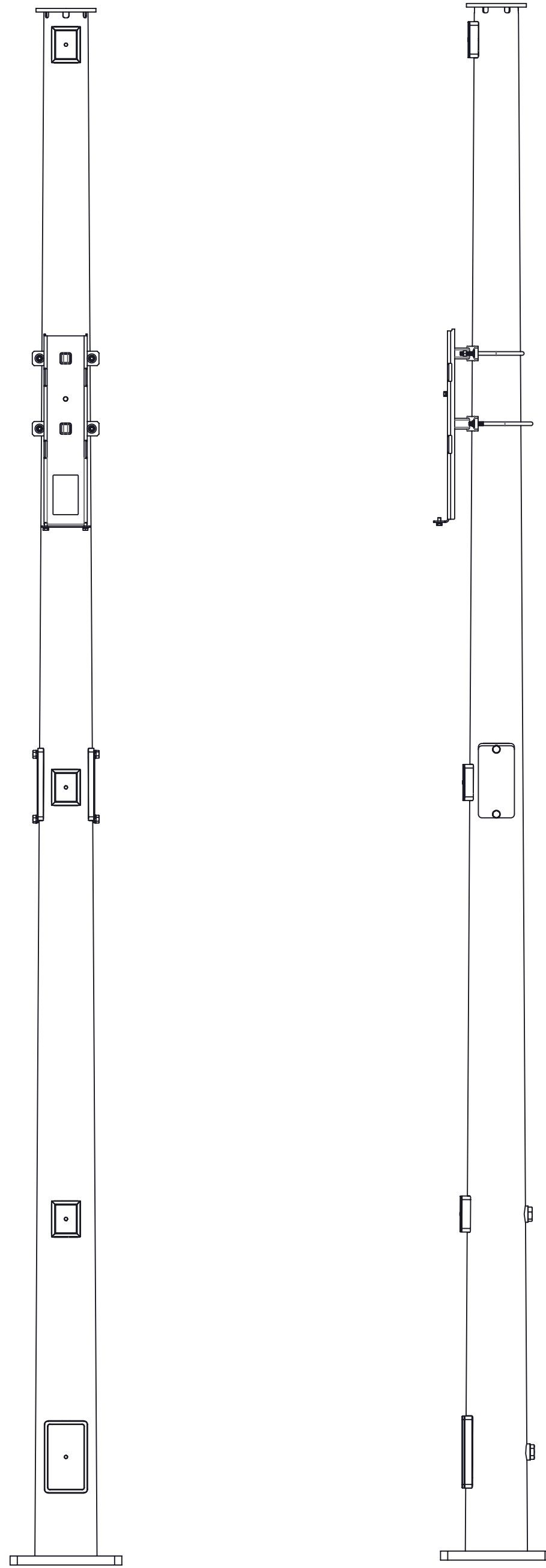
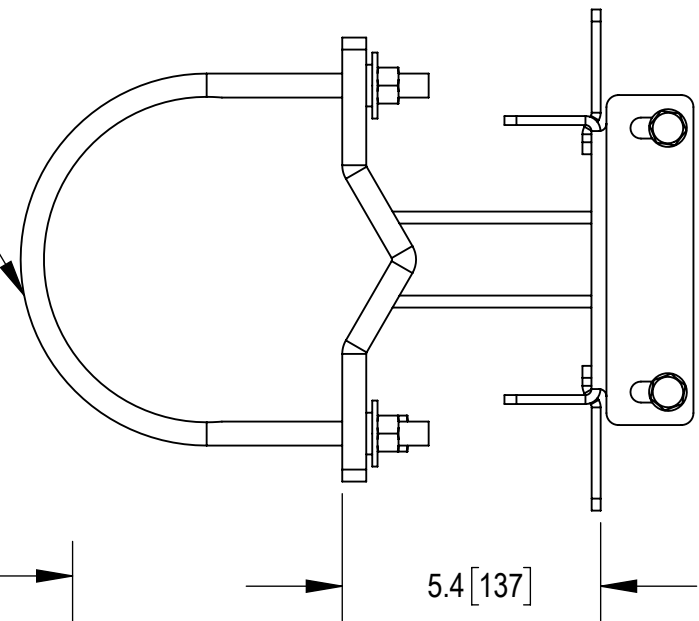
1

NOTES:

3.1 ALL HARDWARE MUST BE PROPERLY TORQUE.

RECOMMENED TORQUE: 1/2-13 U-BOLTS [40 - 70 FT/LBS].
3/8-16 BOLT [31 FT/LBS]

MIN. POLE DIAMETER = 4.25"
MAX. POLE DIAMETER = 6.75"



COMMSCOPE, INC. OF NORTH CAROLINA				
TITLE MV2-5"-STNDOFF, TAPERED POLE BKT KIT				
SIZE C	SCALE 1:32	DOCUMENT NO. 860661823ST-XX		
		DRAWING		SHEET
		VERSION 01	STATUS RE	REVISION B

4

3

2

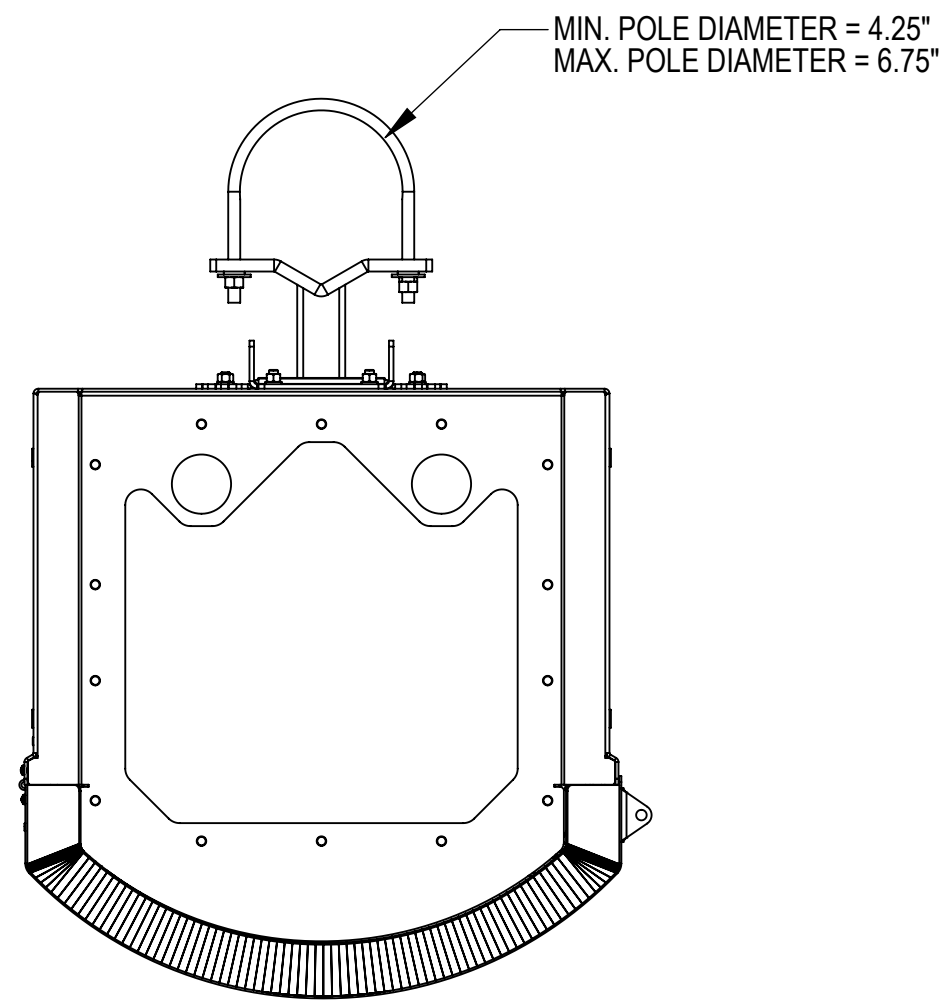
1

4

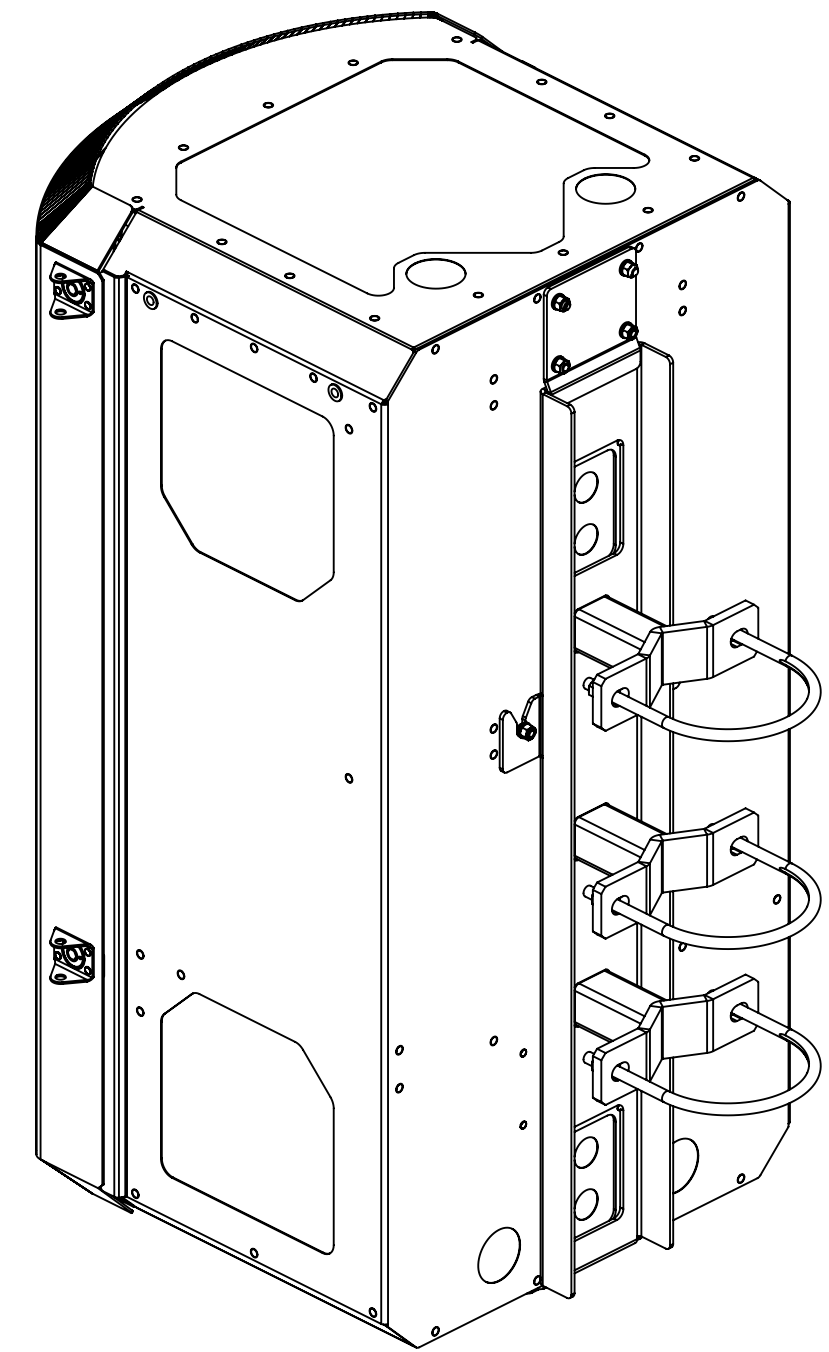
3

2

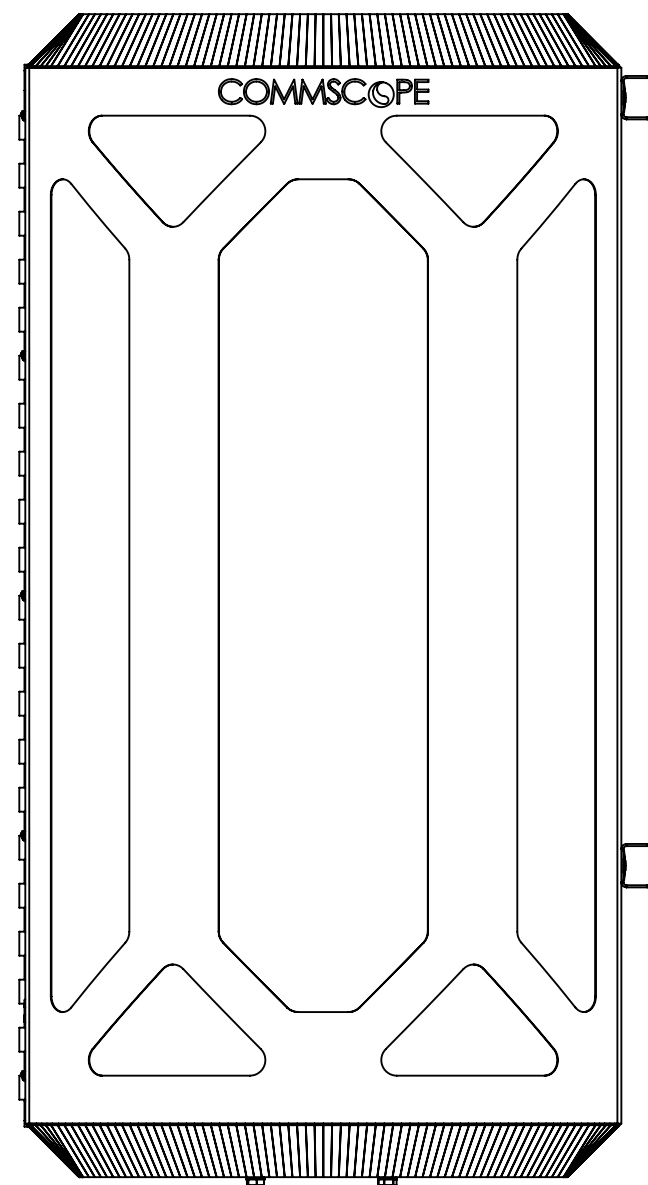
1



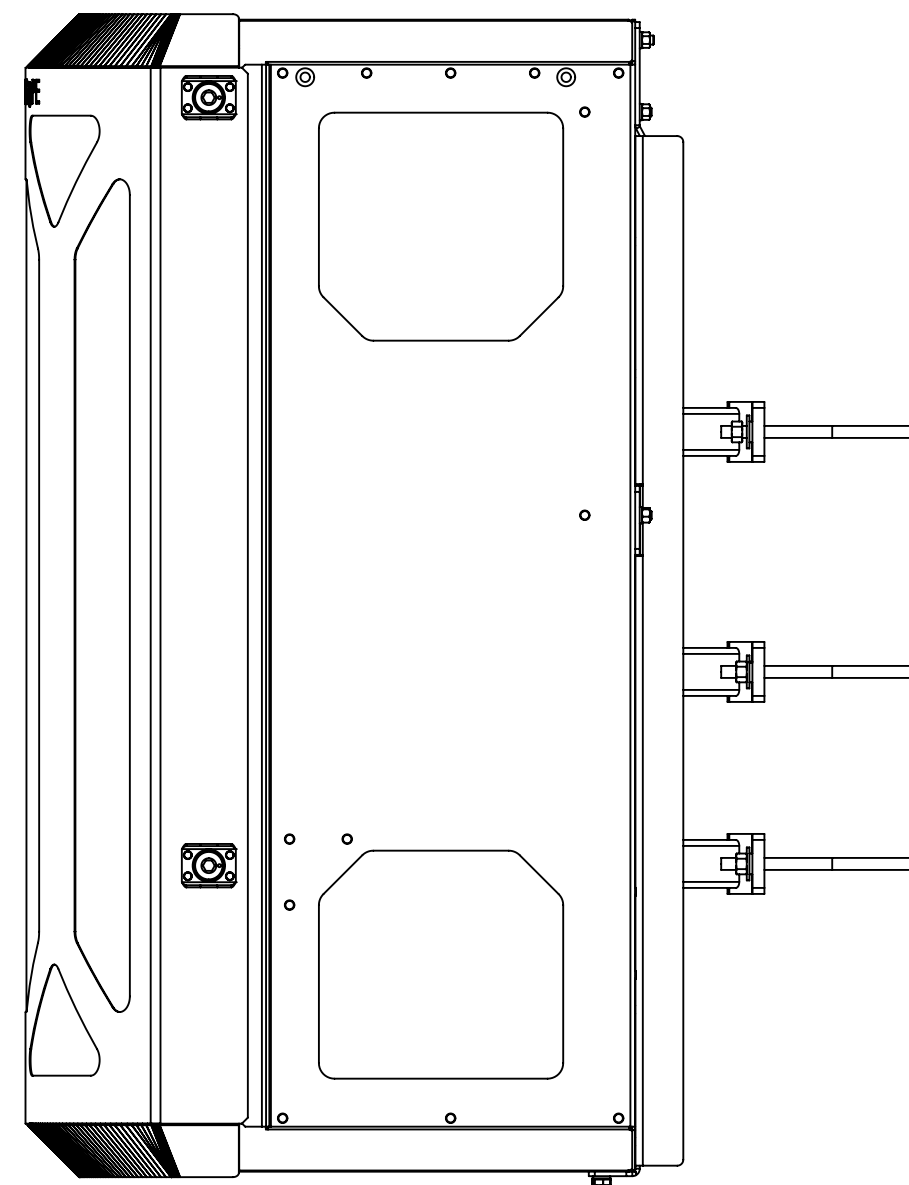
TOP VIEW




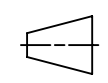
REAR ISOMETRIC VIEW



FRONT VIEW



RIGHT VIEW

COMMSCOPE, INC. OF NORTH CAROLINA				
TITLE MV2-5"-STNDOFF, TAPERED POLE BKT KIT				
SIZE C	SCALE 1:12	DOCUMENT NO. 860661823ST-XX		
 		DRAWING		SHEET 4 OF 4
		VERSION 01	STATUS RE	

4

3

2

1

D

D

C

C

B

B

A

A