

4

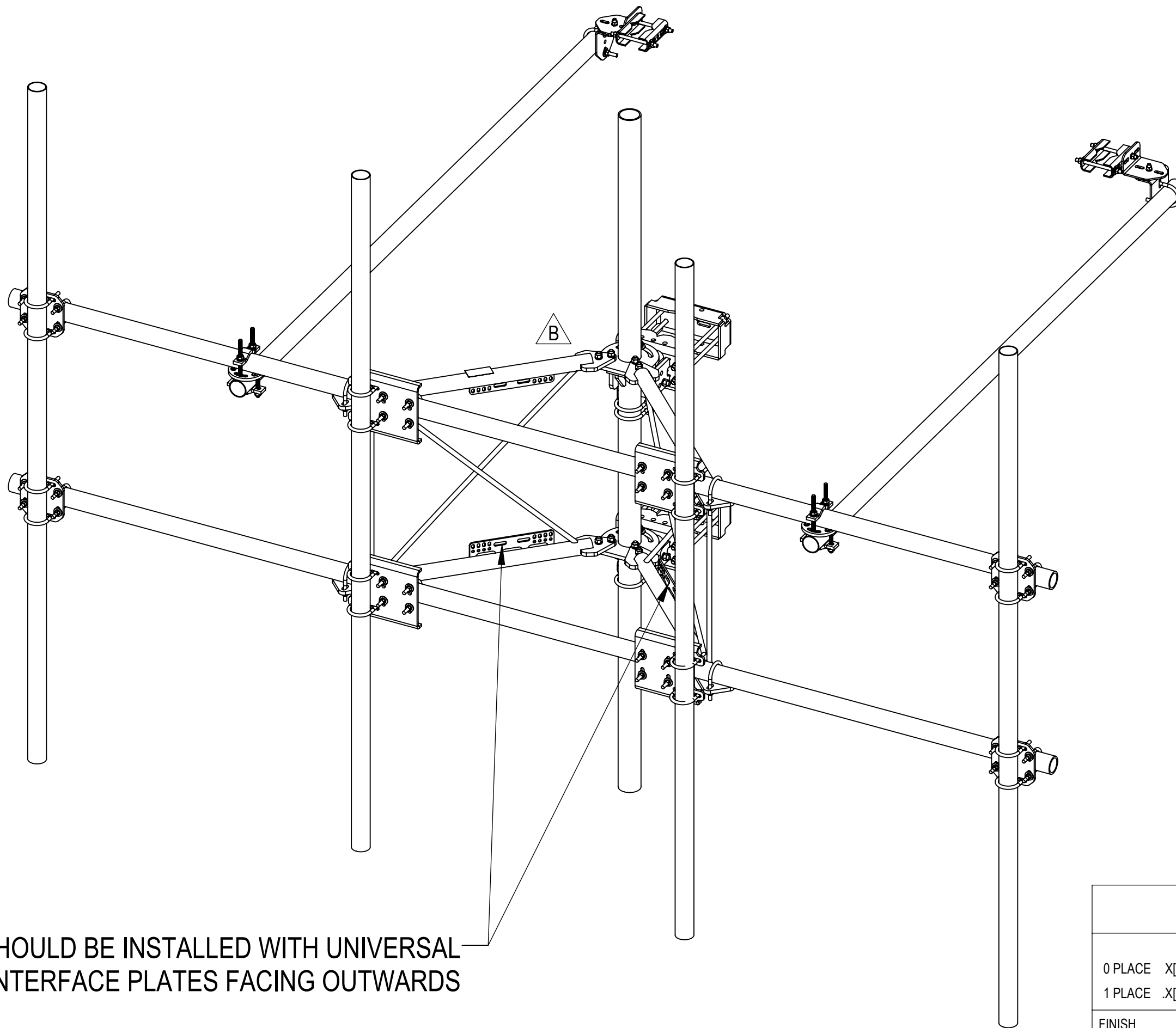
3

2

1

- 1.0 GENERAL NOTES
 - 1.1 ALL METRIC DIMENSIONS ARE IN BRACKETS [X.XX]
 - 1.2 FOR PATENT INFO: <https://www.cs-pat.com>
- 2.0 DESIGN NOTES
 - 2.1 ANY HAZARDS OR OBSTRUCTIONS TO THE CLIMBING FACILITY AND SAFETY CLIMB MUST BE IDENTIFIED PRIOR TO INSTALLING THE APPURTENANCE. ADDITIONAL PRODUCTS MAY BE REQUIRED TO MAINTAIN THE INTEGRITY OF THE SAFETY CLIMB. DURING INSTALLATION, TEMPORARY AND/OR PERMANENT PRECAUTIONARY MEASURES SHOULD BE TAKEN TO PRESERVE THE CLIMBING FACILITY AND/OR SAFETY CLIMB.
 - 2.2 UP TO 5.0° TAPER AVAILABLE ON MODELS THAT SUPPORT ADJUSTMENT.
- 3.0 MANUFACTURING/SPECIAL REQUIREMENTS
 - 3.1 TIGHTEN ALL BOLTS SECURING FLAT PLATES BY THE TURN-OF-NUT METHOD. TIGHTEN ALL U-BOLTS USING TURN-OF-NUT METHOD WITH ATTENTION TO LEAVE EQUAL DISTANCE AND EQUAL FORCE ON EACH LEG OF THE U-BOLT.
- 4.0 TEST
- 5.0 PACKAGING
 - 5.1 PACKAGING SHALL MEET COMMSCOPE REQUIREMENTS PER DOCUMENT IS-PL-3005.
 - 5.2 PRINTED DOCUMENT TO BE PLACED INSIDE POLYBAG AND THEN IN SHIPPING CONTAINER.
 - 5.3 EXTRA HARDWARE MAY BE SUPPLIED, BAGGED AND SHIPPED.

REVISIONS			
REV.	DESCRIPTION	DATE	APPROVED
A	INITIAL RELEASE	JL1183 24MAY24	CB1094 40196505CMO
B	V-ARM SFG2292-00 (ITEM 2) WAS SFG2278; SHEET6: ADDED V-ARM DETAIL VIEW	JL1183 12JUL24	CB1094 40200155CMO



SHOULD BE INSTALLED WITH UNIVERSAL
INTERFACE PLATES FACING OUTWARDS

COMMSCOPE, INC. OF NORTH CAROLINA									
TOLERANCES		SAP MATERIAL MASTER							
0 PLACE	X[X] ± 0.25[6.3]	2 PLACE	.XX[X] ± 0.06[1.5]						
1 PLACE	.X[X] ± 0.12[3.0]	ANGLES	± 2°						
FINISH		MATERIAL							
		SFG22RHDX-15-4-120							
UNLESS OTHERWISE SPECIFIED DIMENSIONS ARE IN INCHES INTERPRET PER ANSI Y 14.5M-1994	NAME	DATE	TITLE						
	CE JL1183	24MAY24	PG,SF,15'FP,(4)120"AP						
	RW JL1183	07/15/2024							
	AD CB1094	07/18/2024	SCALE	DOCUMENT NO.					
	RE YMENG	08/05/2024	1:16	SFG22RHDX-15-4-120					
ECN 40200155CMO									
SIZE	Auth Group	INSL	MODEL						
C			VERSION	STATUS	REVISION	VERSION	STATUS	REVISION	SHEET
			01	RE	B	01	RE	B	1 OF 7

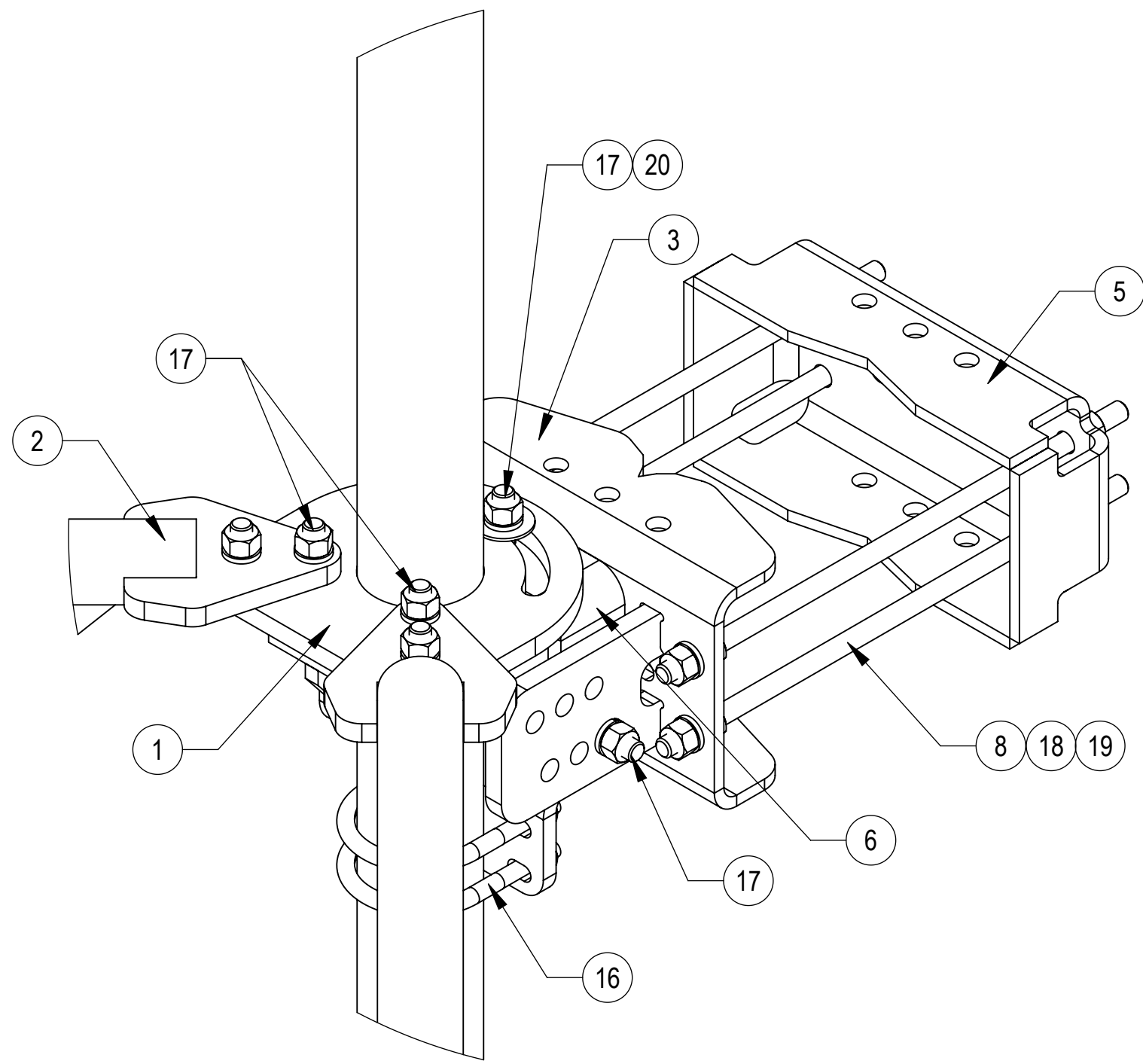
DENSITY		lbs/in ³
MASS	895.89	lbs
VOLUME	3161.65	in ³
SURFACE AREA	31145.39	in ²
HEIGHT	120"	
LENGTH	180"	
WIDTH	120"	

4

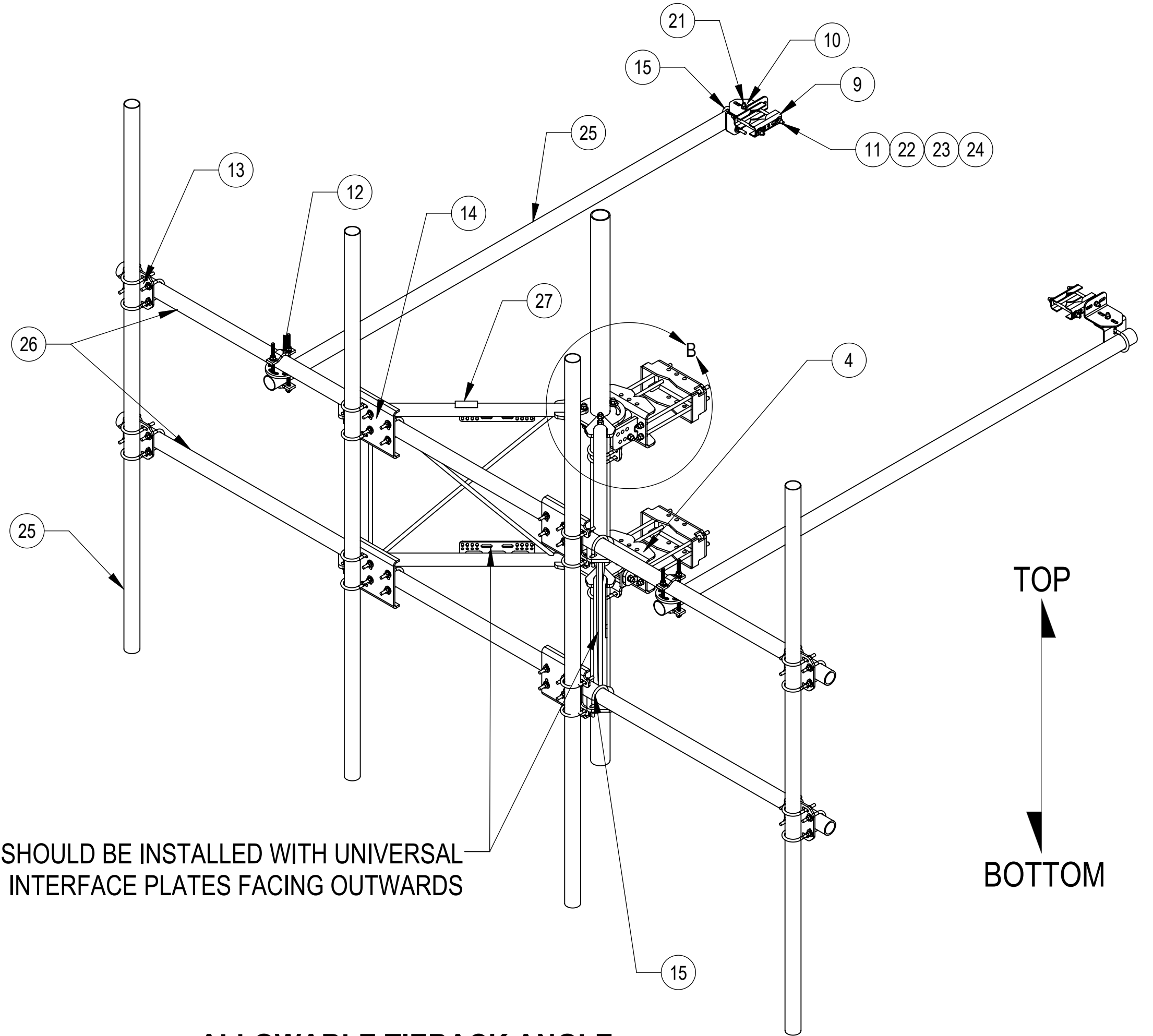
3

2

1

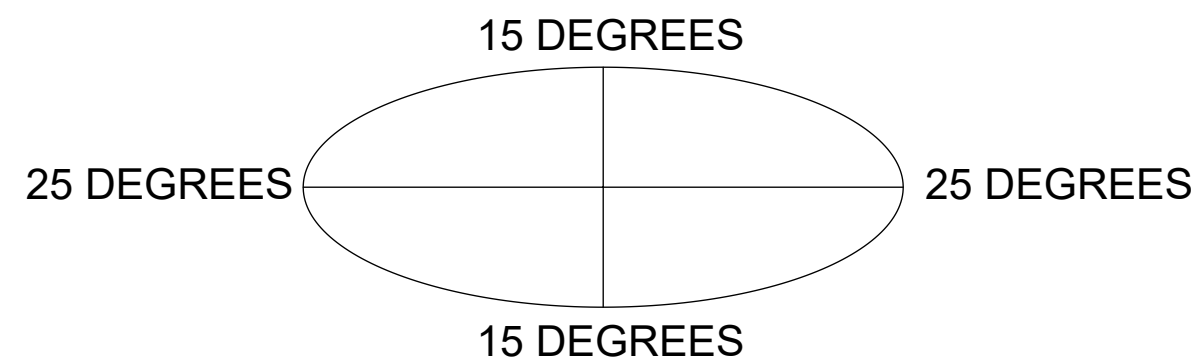


DETAIL B
SCALE 1 : 4



SHOULD BE INSTALLED WITH UNIVERSAL
INTERFACE PLATES FACING OUTWARDS

ALLOWABLE TIEBACK ANGLE
+15 DEGREES VERTICAL
±25 DEGREES HORIZONTAL



COMPONENT PART NUMBERS PROVIDED FOR ASSEMBLY PURPOSES;
INDIVIDUAL COMPONENTS MAY BE SHIPPED AS PARTS WITHIN AN INCLUDED KIT.

ITEM	PART NO.	DESCRIPTION	QTY.	WEIGHT	NOTE NO.
1	SFG2204	WELDMNT, BACK VERTICAL ARM MOUNT	1	97.29 LBS	
2	SFG2292-00	WELDMNT, V-ARM, SECTOR FRAME 22	2	49.69 LBS	
3	SFG2380	WELDMNT, HD, TOP TAPER BRACKET	1	22.78 LBS	
4	SFG2381	WELDMNT, HD, LOWER TOWER LEG BRACKET	1	17.42 LBS	
5	SFG2289	G2 RRU BACK CLAMP, HD	2	18.65 LBS	
6	SFG2386	WELDMNT, SFG2 AZIMUTH BRACKET	1	10.07 LBS	
7	SFG2397-00	WELDMNT, G23 AZIMUTH BRACKET	1	7.94 LBS	
8	MT-382-18	5/8" X 18" THREADED ROD	8	1.43 LBS	
9	SAB01	FORMED CLAMP	4	1.35 LBS	
10	XAU01	ANGLE, CROSSOVER, 1.9-3.5" X 1.9-3.5" OD	4	2.98 LBS	
11	MT-379-8	1/2" X 8" GALV THREADED ROD	4	0.45 LBS	
12	XP-R	CROSSOVER PLATE, ROUND, UP TO 3.5" OD	2	6.20 LBS	
13	XP-2525	CROSSOVER PLATE KIT, 2-7/8 OD X 2-7/8 OD	4	8.37 LBS	
14	XP-2525-OFF	OFFSET CO PLATE KIT, 2-7/8ODX2-7/8OD	4	16.64 LBS	
15	GUB-4352	1/2" X 3" X 5-1/4" GALV U-BOLT	6	0.71 LBS	
16	GUB-4355	1/2" X 3-5/8" X 5" GALV U-BOLT	3	0.71 LBS	
17	GB-05225	5/8" X 2-1/4" GALV BOLT KIT	14	0.28 LBS	
18	GN-05	5/8" GALV HEX NUT	24	0.08 LBS	
19	GWL-05	5/8" GALV LOCK WASHER	16	0.03 LBS	
20	GWF-05	5/8" GALV FLAT WASHER, 1.7OD	2	0.06 LBS	
21	GB-04145	1/2" X 1-1/2" GALV BOLT KIT	2	0.13 LBS	
22	GN-04	1/2" GALV HEX NUT	10	0.04 LBS	
23	GWL-04	1/2" GALV LOCK WASHER	10	0.01 LBS	
24	GWF-04	1/2" GALV FLAT WASHER	8	0.04 LBS	
25	MT546120120	PIPE, 2.875"OD X 120"	6	35.44 LBS	
26	MT546180276	PIPE, 2.875"OD X 180"	2	115.33 LBS	
27	SFG2295	LABEL, SFG22RHDX	1	0.04 LBS	

COMMSCOPE, INC. OF NORTH CAROLINA				
TITLE PG,SF,15'FP,(4)120"AP				
SIZE C	SCALE 1:16	DOCUMENT NO. SFG22RHDX-15-4-120		
DRAWING		VERSION	STATUS	REVISION
		01	RE	B
				SHEET 2 OF 7

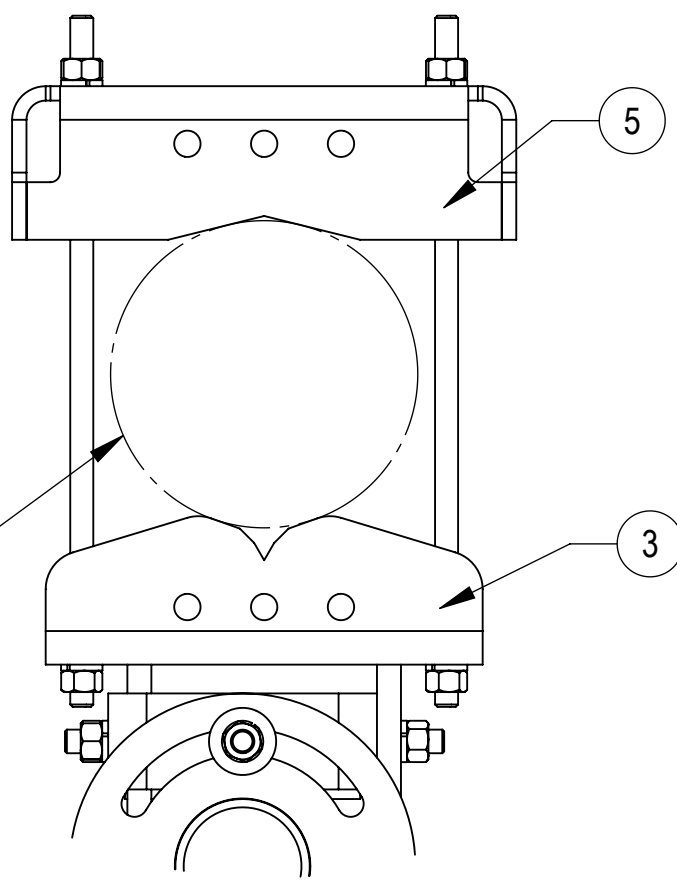
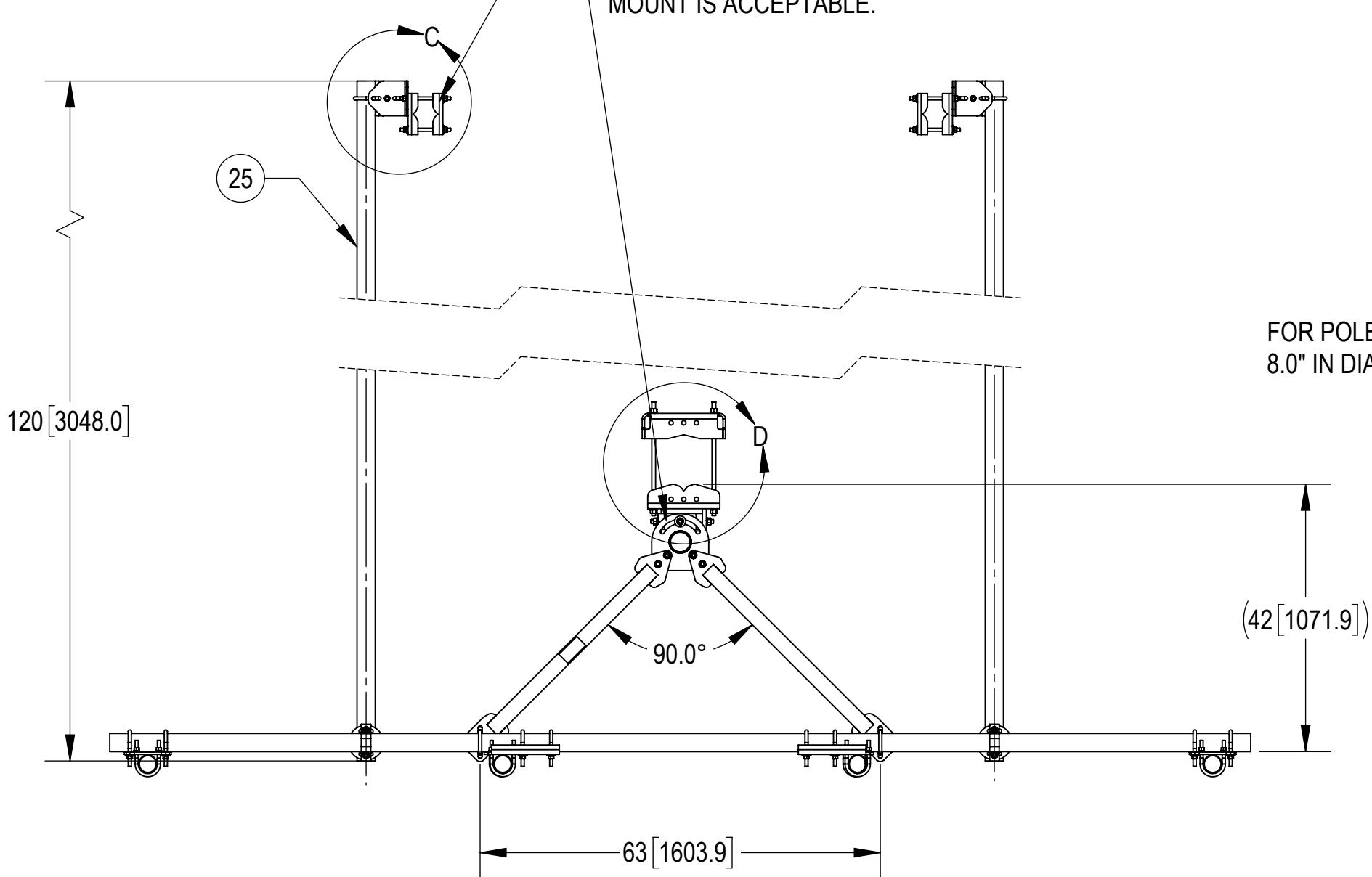
4

3

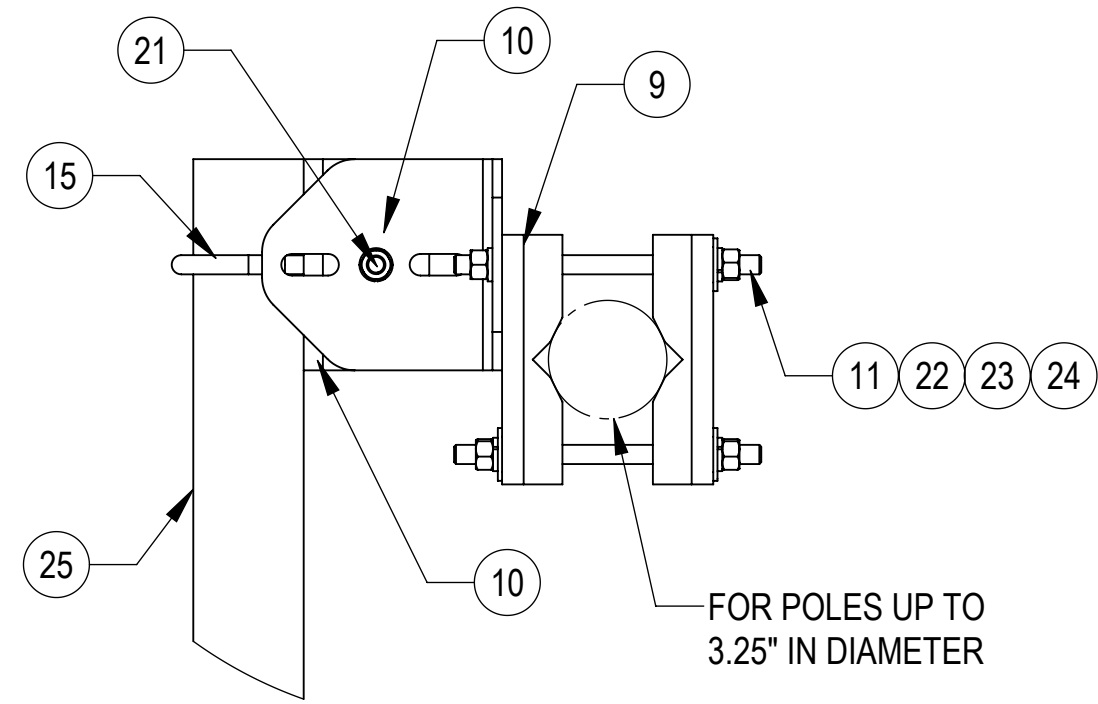
2

1

TIEBACK MUST BE CONNECTED TO A RIGID MEMBER THAT PROVIDES ADEQUATE SUPPORT WITHIN THE LIMITS NOTED IN THE TIEBACK ANGLE RANGE DETAIL. UNLESS APPROVED BY ENGINEER OF RECORD. SPINE STEM OF NEIGHBORING MOUNT IS ACCEPTABLE.

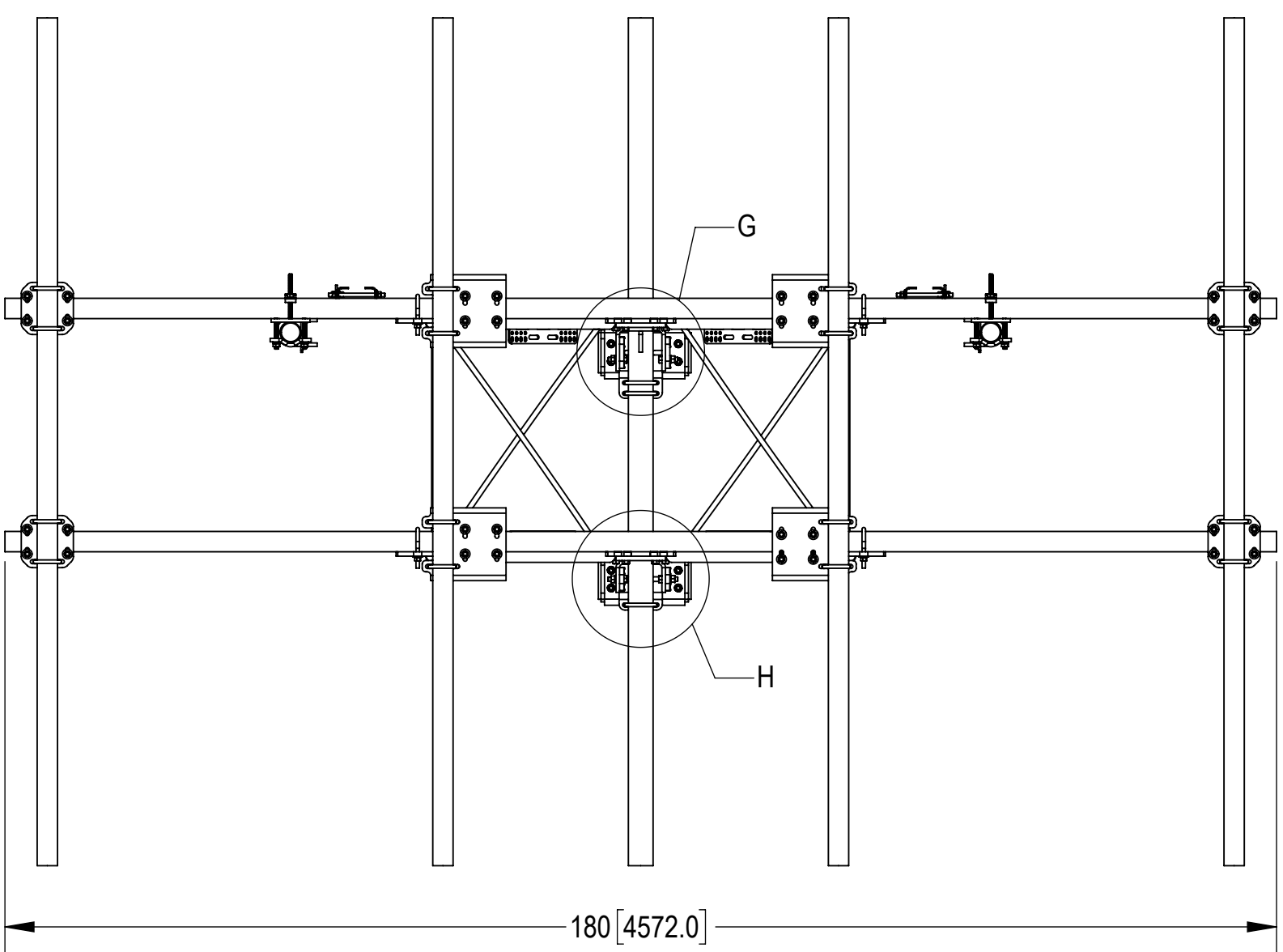
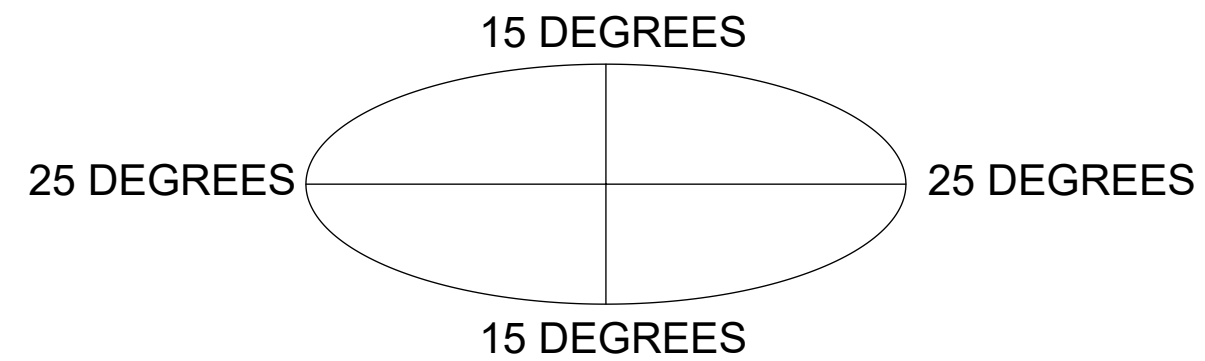


DETAIL D
SCALE 1:5



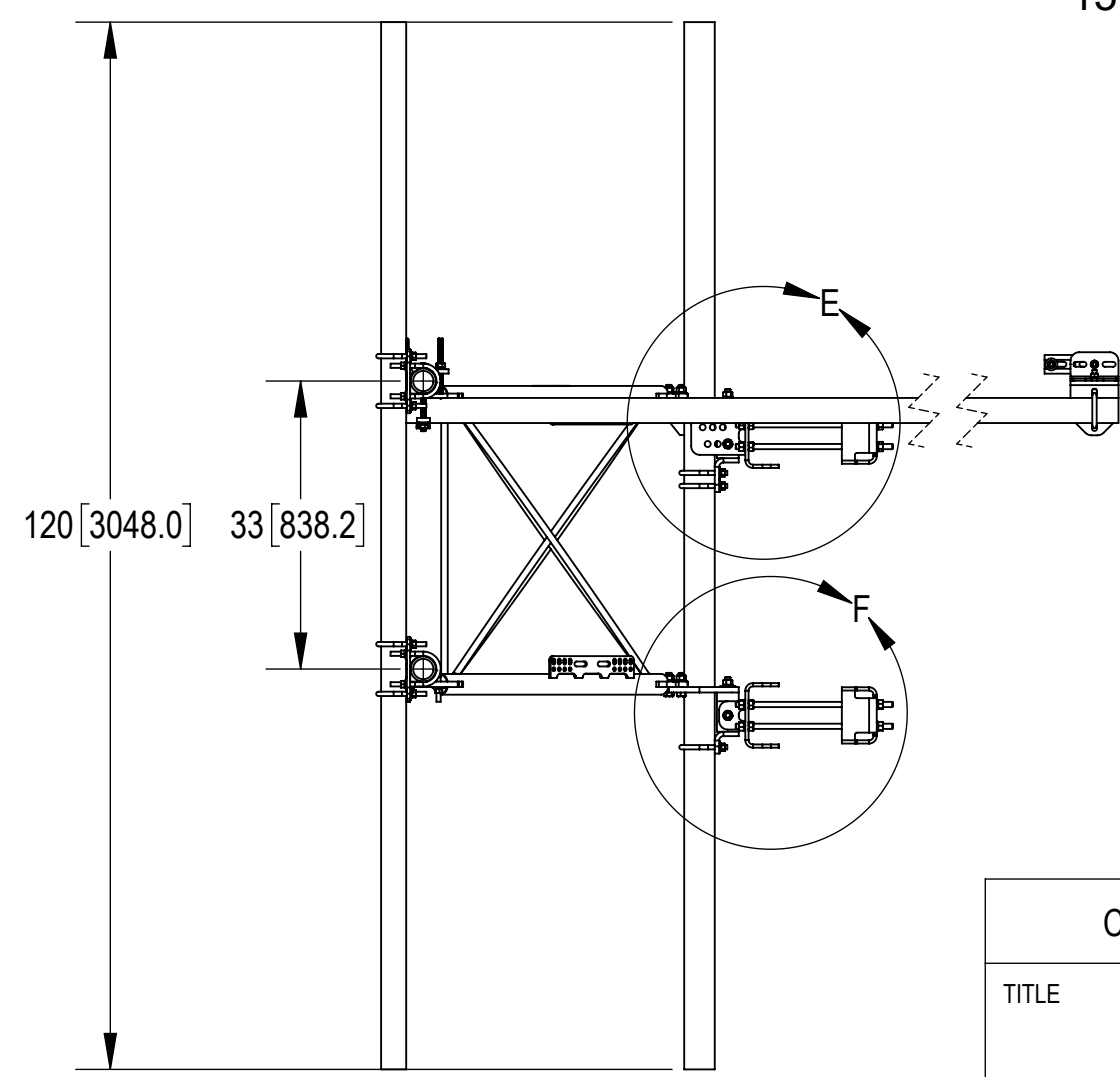
DETAIL C
SCALE 1:5

ALLOWABLE TIEBACK ANGLE
± 15 DEGREES VERTICAL
± 25 DEGREES HORIZONTAL



180 [4572.0]

TOP
↑
↓
BOTTOM



COMMSCOPE, INC. OF NORTH CAROLINA

TITLE
PG,SF,15'FP,(4)120"AP

SIZE C	SCALE 1:20	DOCUMENT NO. SFG22RHDX-15-4-120
------------------	----------------------	------------------------------------

DRAWING			SHEET 3 OF 7
VERSION	STATUS	REVISION	
01	RE	B	

© 2024 CommScope, Inc. Confidential

4

3

2

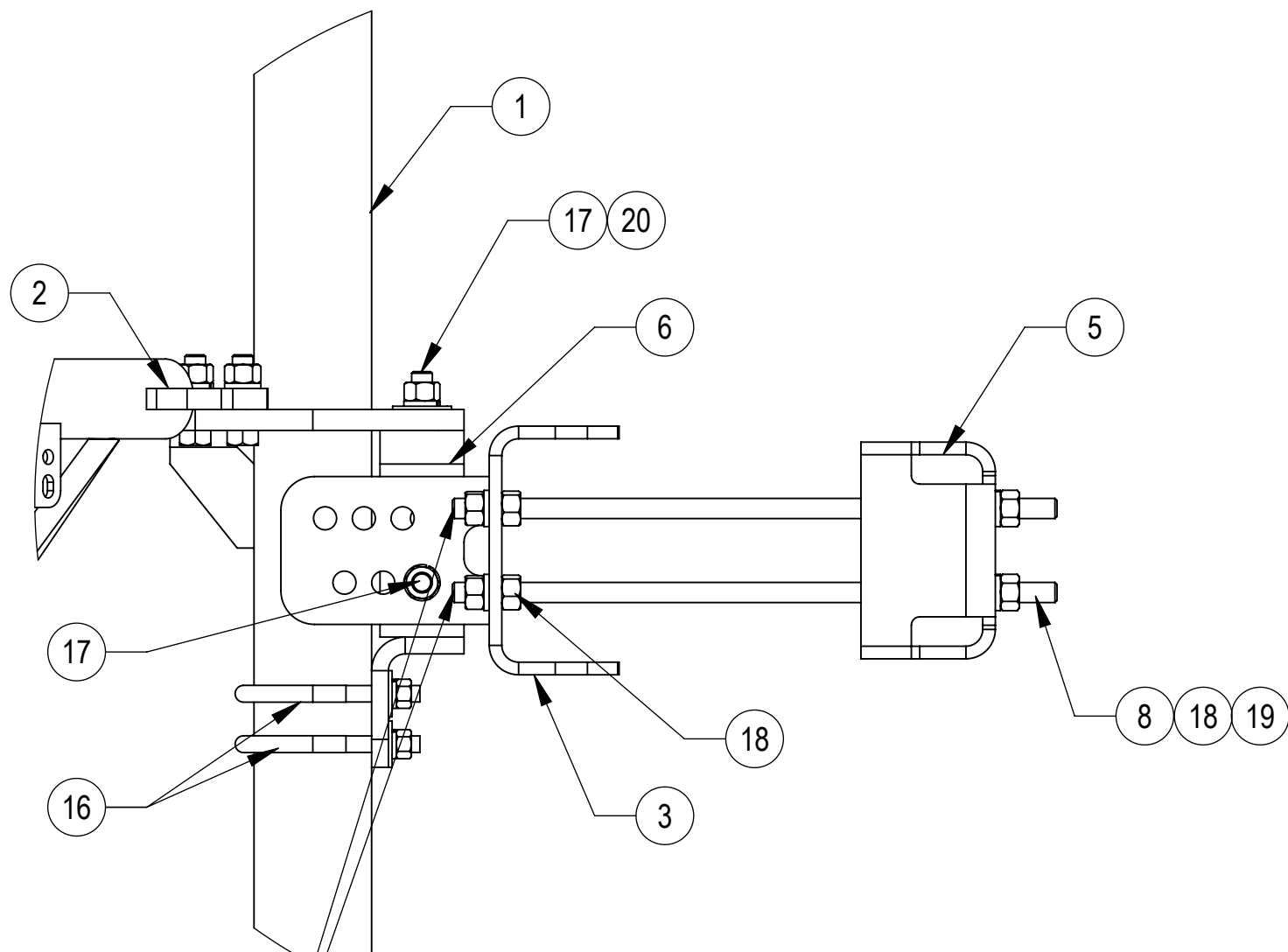
1

4

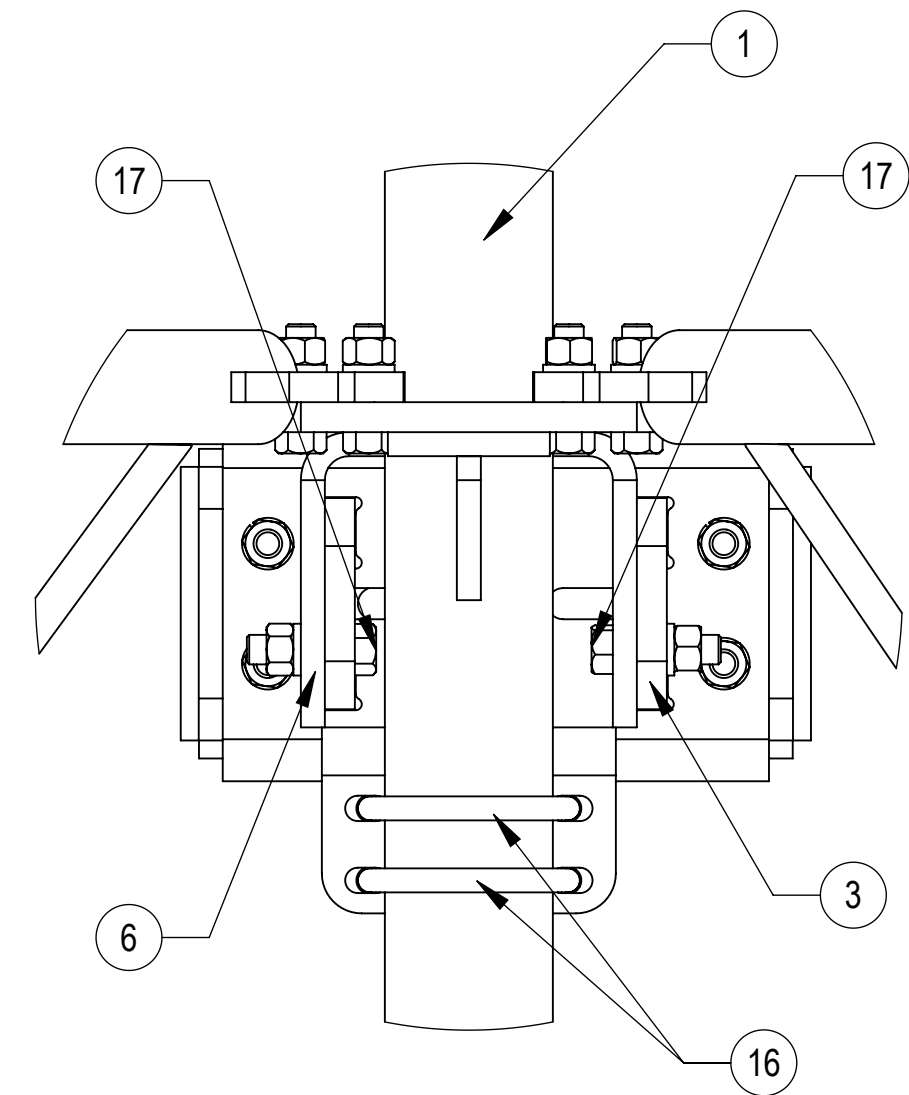
3

2

1

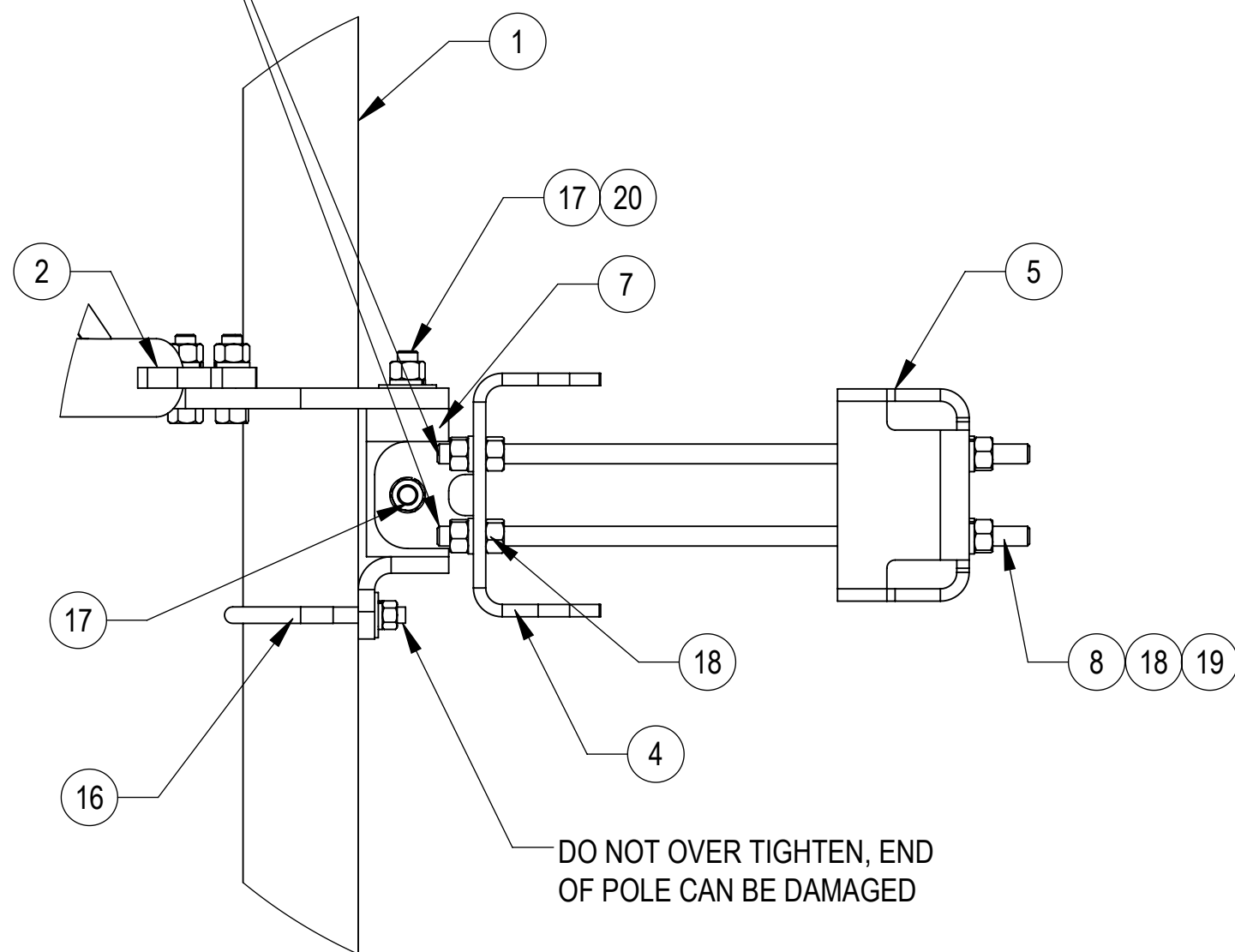


DETAIL E
SCALE 1 : 5



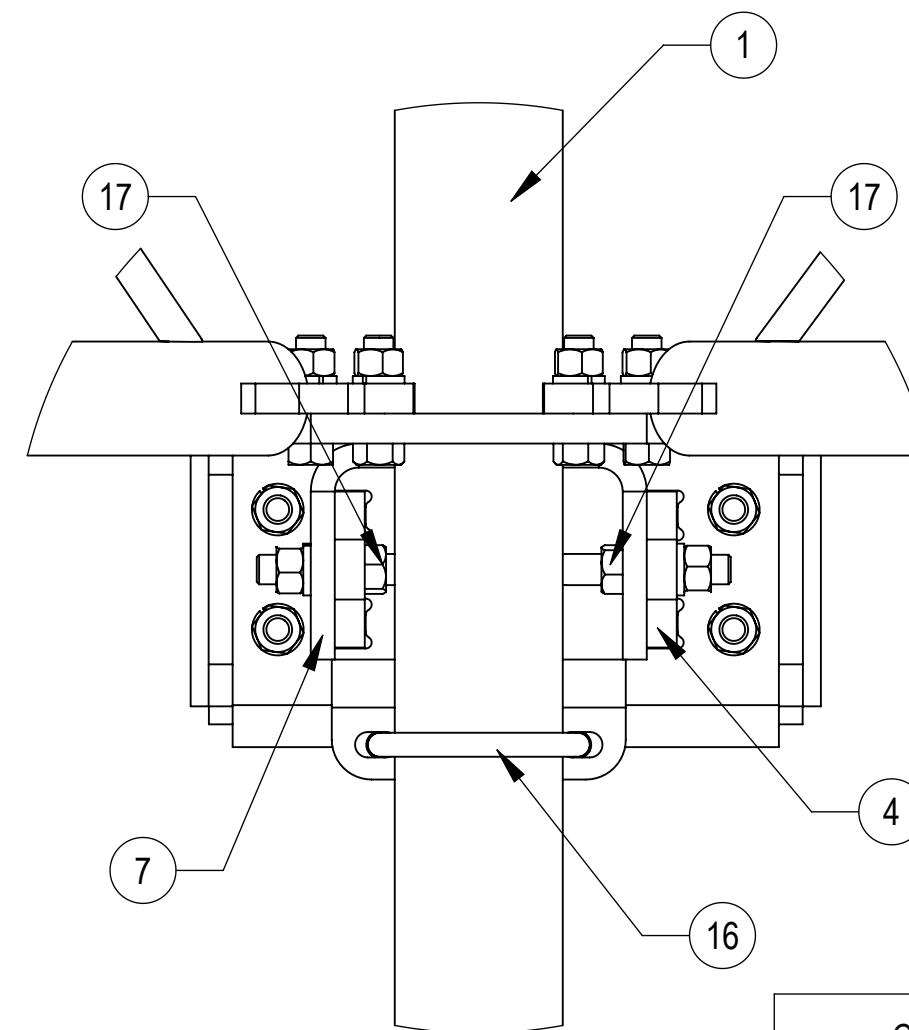
DETAIL G
SCALE 1 : 4

THE THREADED ROD CAN ONLY EXPOSE 4 TO 7 THREADS ON ONE SIDE OF THE BRACKET, WHICH IS TO PREVENT INTERFERENCE WITH THE SIDE BOLTS



DETAIL F
SCALE 1 : 5

DO NOT OVER TIGHTEN, END OF POLE CAN BE DAMAGED



DETAIL H
SCALE 1 : 4

COMMSCOPE, INC. OF NORTH CAROLINA				
TITLE PG,SF,15'FP,(4)120"AP				
SIZE C	SCALE 1:20	DOCUMENT NO. SFG22RHDX-15-4-120		
		DRAWING		SHEET
		VERSION	STATUS	REVISION
		01	RE	B
				4 OF 7

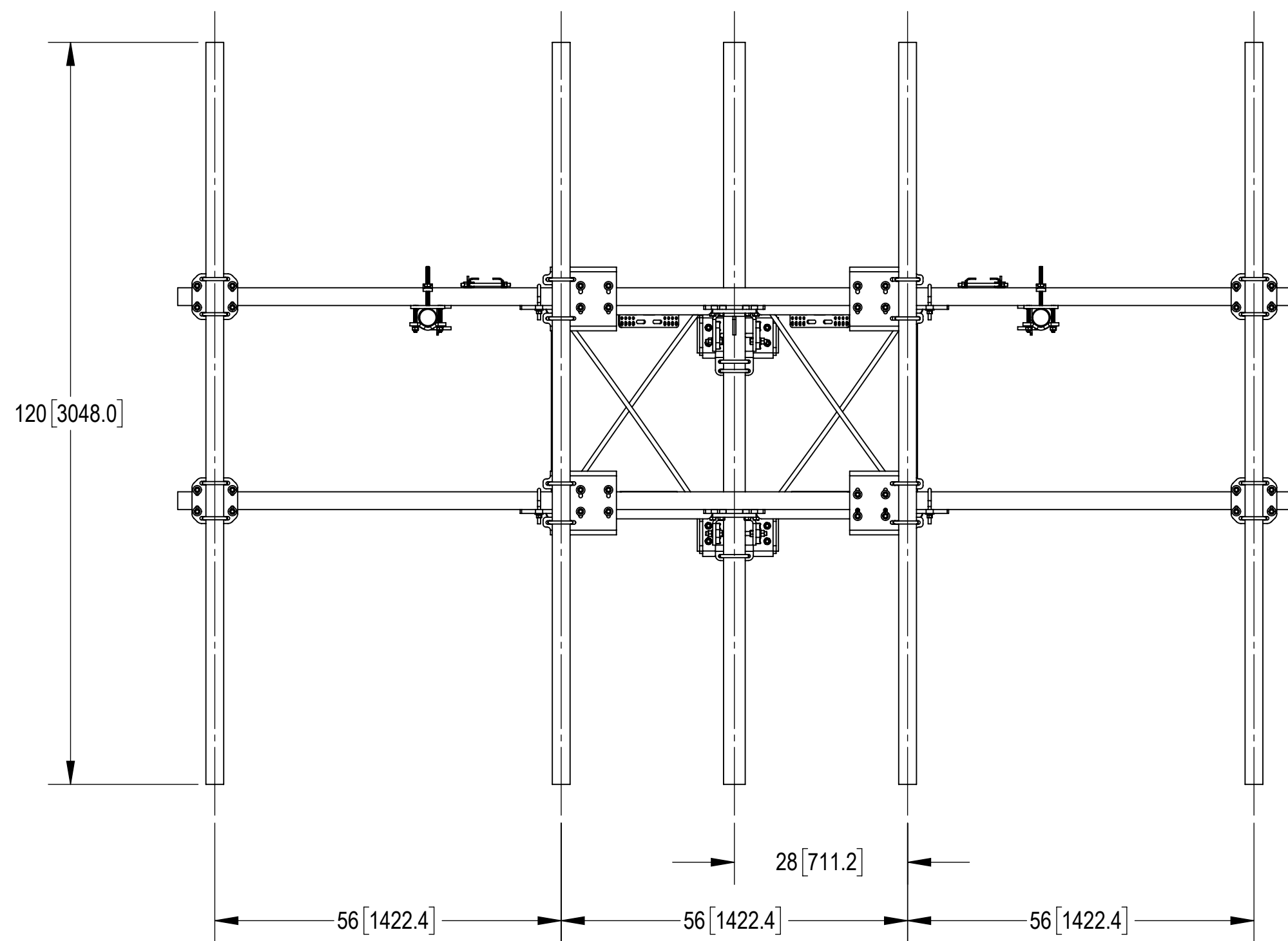
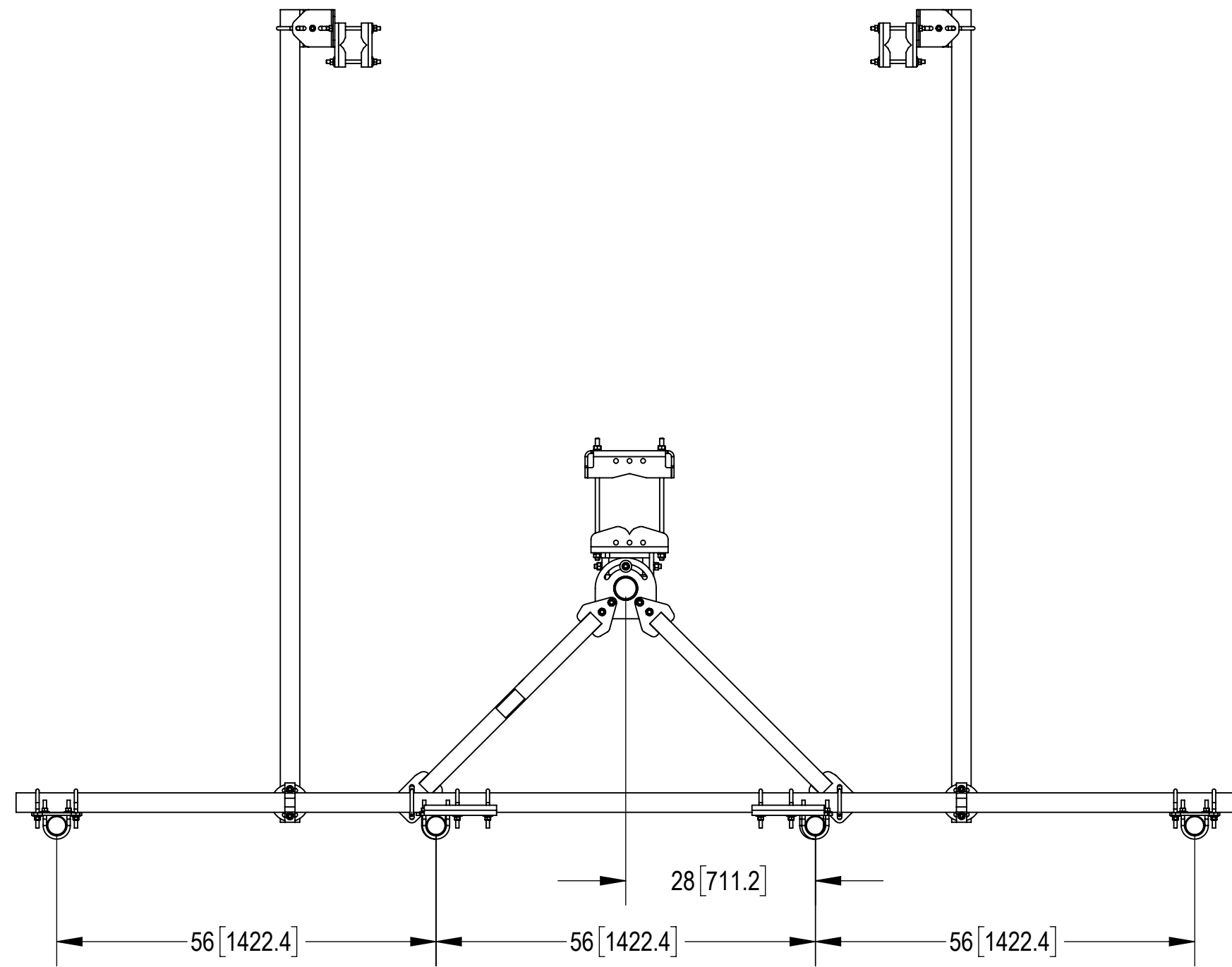
4

3

2

1

ANTENNA SPACING SHOWN



COMMSCOPE, INC. OF NORTH CAROLINA				
TITLE PG,SF,15'FP,(4)120"AP				
SIZE C	SCALE 1:22	DOCUMENT NO. SFG22RHDH-15-4-120		
		DRAWING		SHEET
		VERSION	STATUS	REVISION
		01	RE	B
				5 OF 7

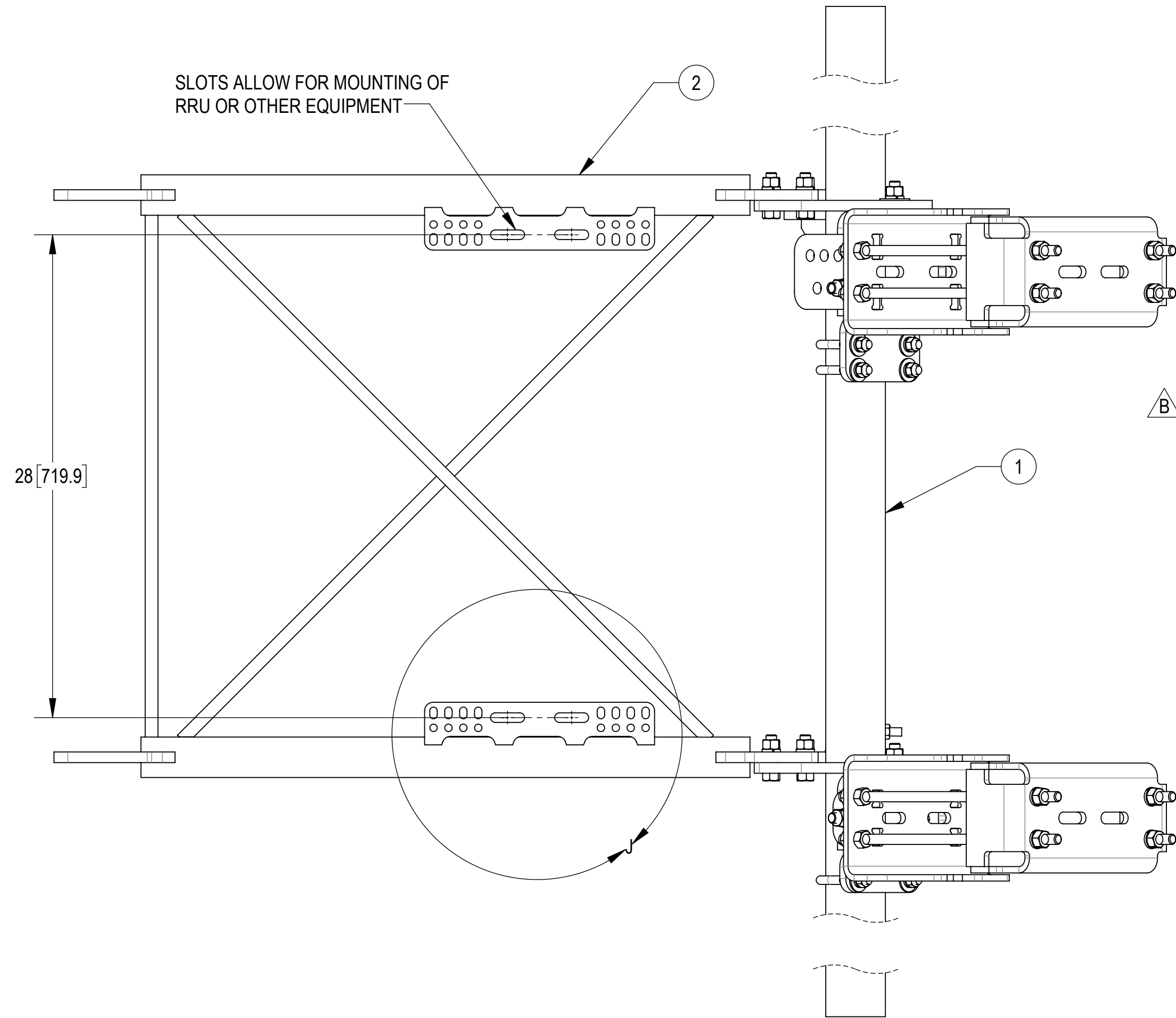
4

3

2

1

SLOTS ALLOW FOR MOUNTING OF RRU OR OTHER EQUIPMENT

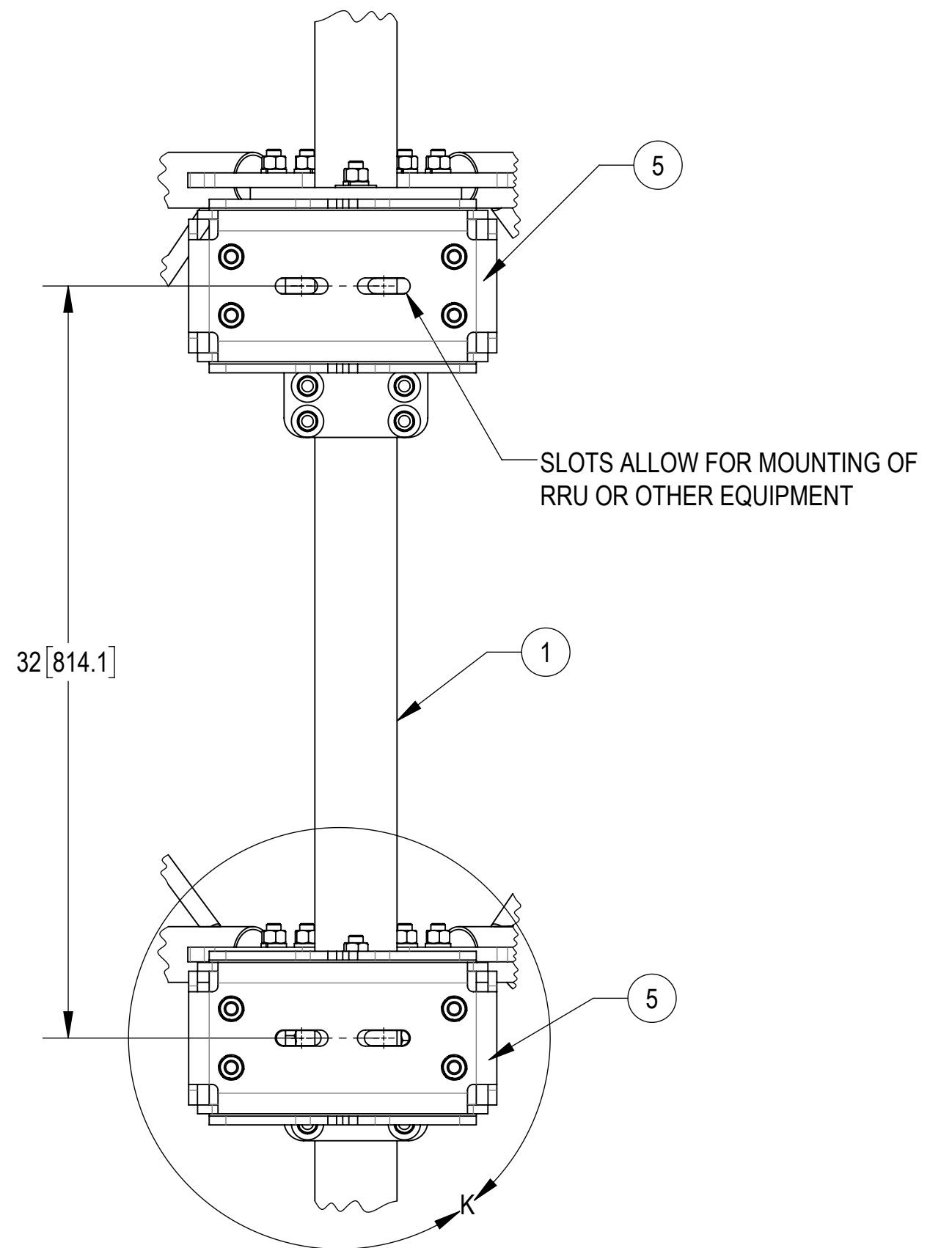


SIDE VIEW

28 [719.9]

32 [814.1]

SLOTS ALLOW FOR MOUNTING OF RRU OR OTHER EQUIPMENT



.88 [22.2]

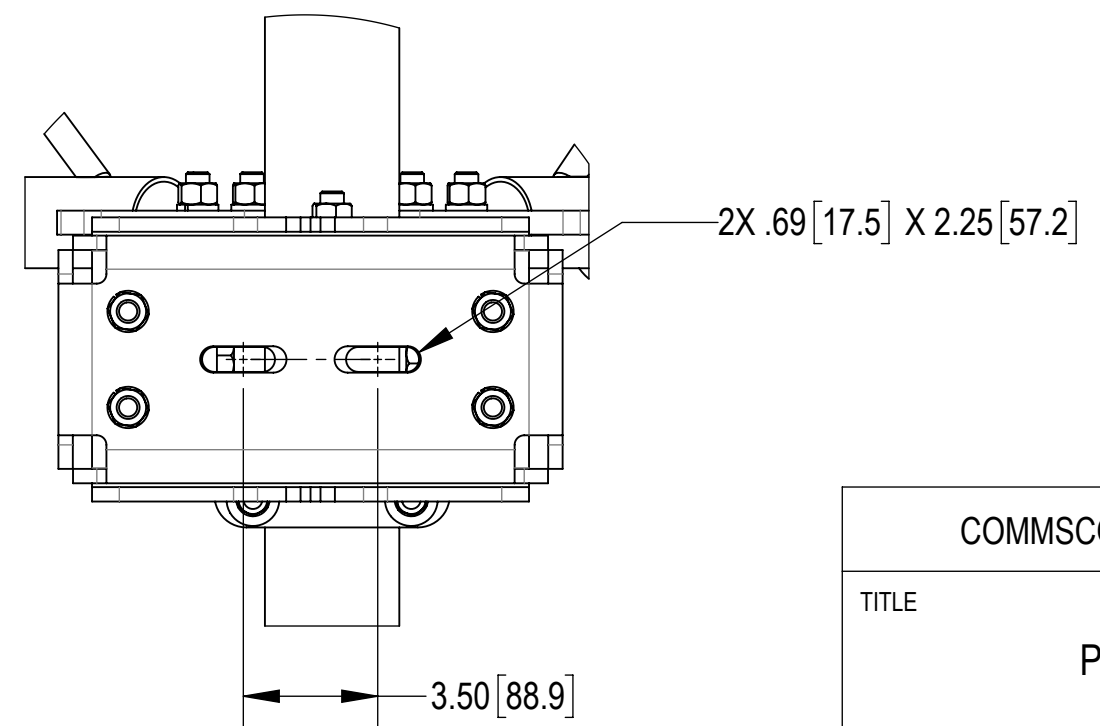
3.76 [95.6]

2X .56 [14.3] X 2.00 [50.8]

8X .44 [11.1] X .69 [17.5]

8X Ø .44 [11.1]

DETAIL J
SCALE 1 : 3
2 PLACES



DETAIL K
SCALE 1 : 5
2 PLACES

© 2024 CommScope, Inc. Confidential

COMMScope, INC. OF NORTH CAROLINA

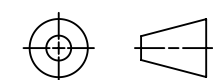
TITLE				
PG,SF,15'FP,(4)120"AP				
SIZE	SCALE	DOCUMENT NO.		
C	1:6	SFG22RHDX-15-4-120		
		DRAWING		
		VERSION	STATUS	REVISION
		01	RE	B
				SHEET
				6 OF 7

4

3

2

1



D

C

B

A

4

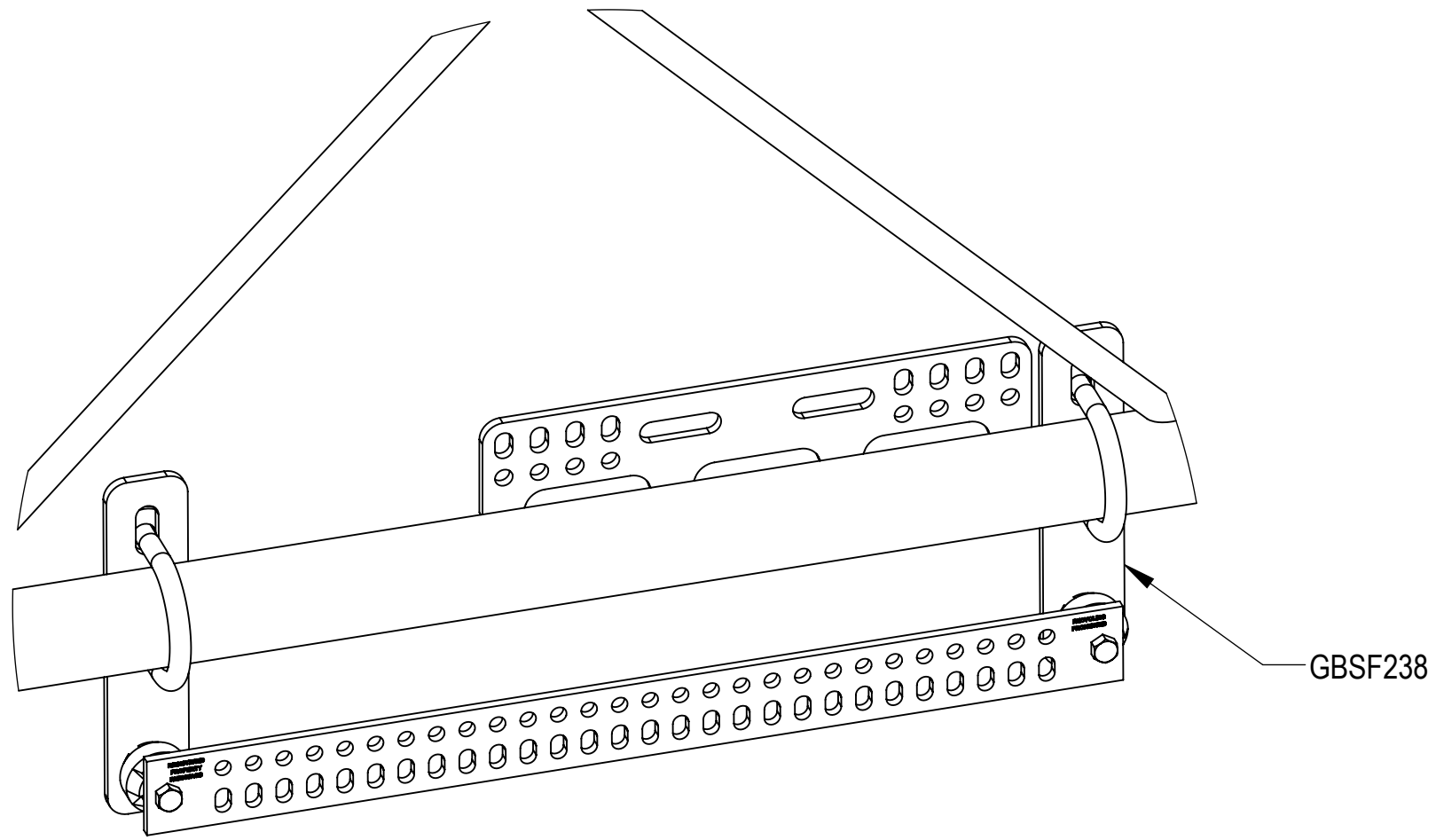
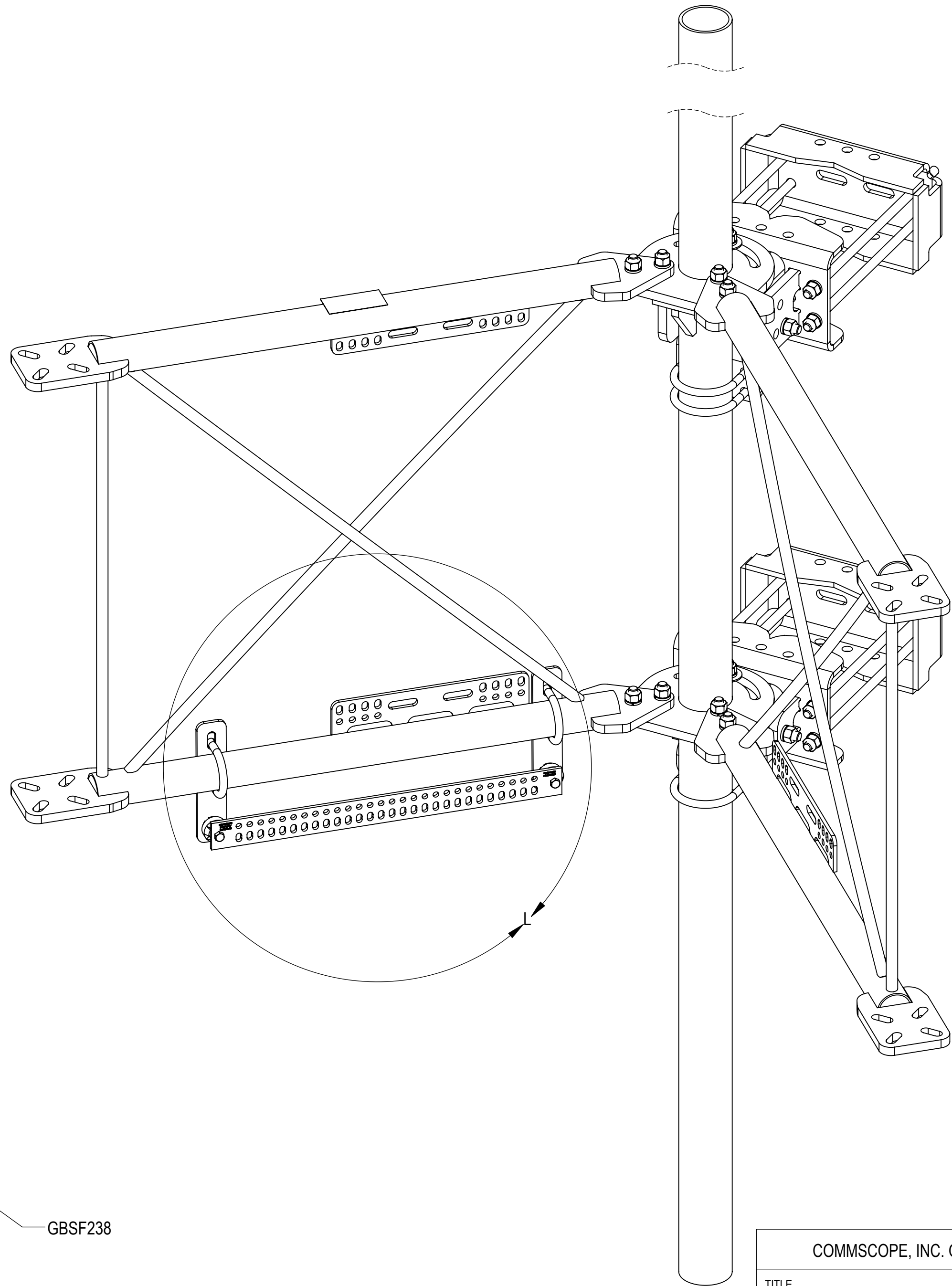
3

2

1

OPTIONAL ACCESSORIES:

BUS BAR MOUNT KIT GBSF238 IS WELL SUITED TO BE USED SHOULD THE NEED ARISE
NOTE THAT THIS KIT DOES NOT INCLUDE THE ISOLATORS OR BUS BAR




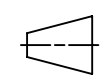
DETAIL L
SCALE 1 : 4

ISO VIEW

COMMSCOPE, INC. OF NORTH CAROLINA

TITLE
PG,SF,15'FP,(4)120"AP

SIZE C	SCALE 1:6	DOCUMENT NO. SFG22RHDX-15-4-120
------------------	---------------------	---

 	DRAWING			SHEET 7 OF 7
	VERSION 01	STATUS RE	REVISION B	

4

3

2

1