

4

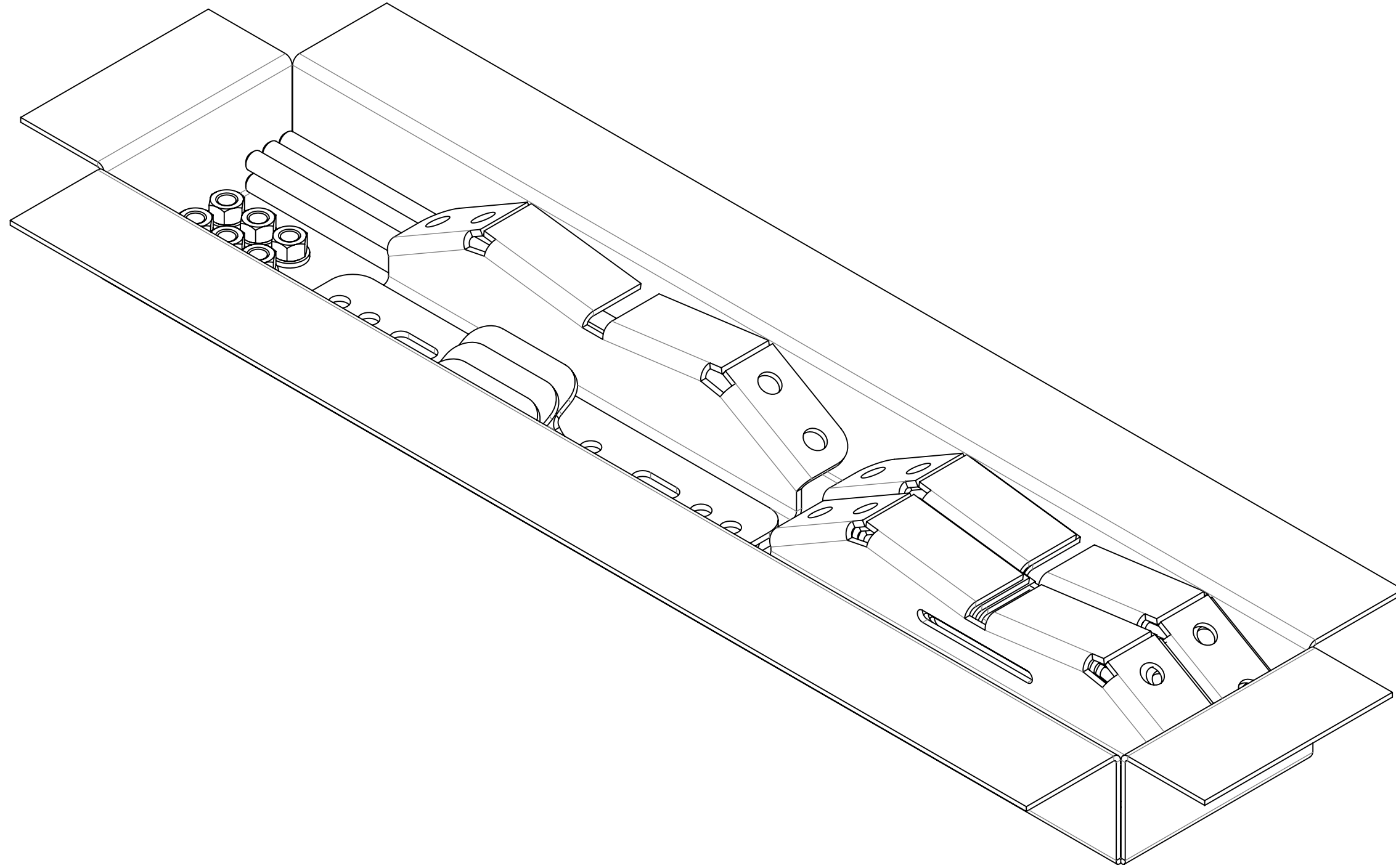
3

2

1

- 1.0 GENERAL NOTES
 - 1.1 ALL METRIC DIMENSIONS ARE IN BRACKETS [X.X]
- 2.0 DESIGN NOTES
 - 2.1 PLACE ALL LOOSE HARDWARE INTO POLYBAGS AS NEEDED
 - 2.2 ANTENNA PIM MAY BE AFFECTED WITH THE USE OF ALTERNATE ANTENNA BRACKETS
 - 2.3 FITS CONCEALMENT SHAFTS 4.5"OD - 13.0"OD
 - 2.4 FITS ANTENNAS COMMSCOPE SBNH, SBNHH
 - 2.5 MAY HAVE TO CUT THREADED ROD DEPENDING ON SHAFT SIZE
- 3.0 MANUFACTURING/SPECIAL REQUIREMENTS
- 4.0 TEST
- 5.0 PACKAGING
 - 5.1 PACKAGING SHALL MEET COMMSCOPE REQUIREMENTS PER DOCUMENT IS-PL-3005
 - 5.2 PACKAGING ITEMS MAY BE INTRODUCED TO PRODUCT AT DIFFERENT BOM/ASSEMBLY LEVELS
 - 5.3 PACKING ITEMS WILL BE RE-USED THROUGHOUT THE MANUFACTURING PROCESS
 - 5.4 LABELS SHALL BE ADDED TO DEFINE MATERIAL/ASSEMBLIES

REVISIONS			
REV.	DESCRIPTION	DATE	APPROVED
A	INITIAL RELEASE	MSM 29APR15	
B	ADD STANDOFF DIMS AND HOLE SPACING	MSM 23JUL15	
C	UDPATE ITEMS 2 AND 3	MSM 20OCT16	
D	UPDATED NOTES	DRR 04JUN17	
E	UPDATED NOTES	LL1090 19FEB24	JAHAINES 40189246CMO
F	ADDED VIEW IN SHEET2	LL1090 23JUL24	BA1025 40200191CMO



COMMSCOPE, INC. OF NORTH CAROLINA										
TOLERANCES					SAP MATERIAL MASTER					
0 PLACE X[X] ± 0.25[6.3]		2 PLACE .XX[X] ± 0.06[1.5]			MTC3713					
1 PLACE .X[X] ± 0.12[3.0]		ANGLES ± 2°								
FINISH					MATERIAL					
UNLESS OTHERWISE SPECIFIED DIMENSIONS ARE IN INCHES INTERPRET PER ANSI Y 14.5M-1994		NAME	DATE	TITLE						
	CE	MSM	29APR15	UNIVERSAL CONCEALMENT ANTENNA MOUNT						
	RW	LL1090	07/23/2024							
	AD	YMENG	07/24/2024	SCALE	DOCUMENT NO.					
	RE	YMENG	07/25/2024	1:2	MTC3713					
ECN 40200191CMO				MODEL			DRAWING			SHEET 1 OF 3
SIZE	Auth Group	INSL	VERSION	STATUS	REVISION	VERSION	STATUS	REVISION		
C			01	RE	D	02	RE	F		

DENSITY	lbs/in ³
MASS	lbs
VOLUME	in ³
SURFACE AREA	in ²
HEIGHT	
LENGTH	
WIDTH	

4

3

2

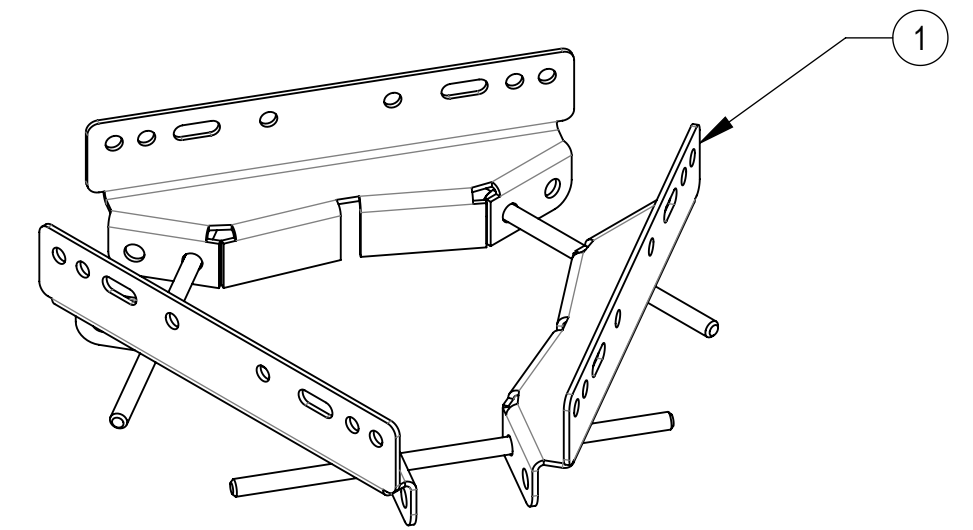
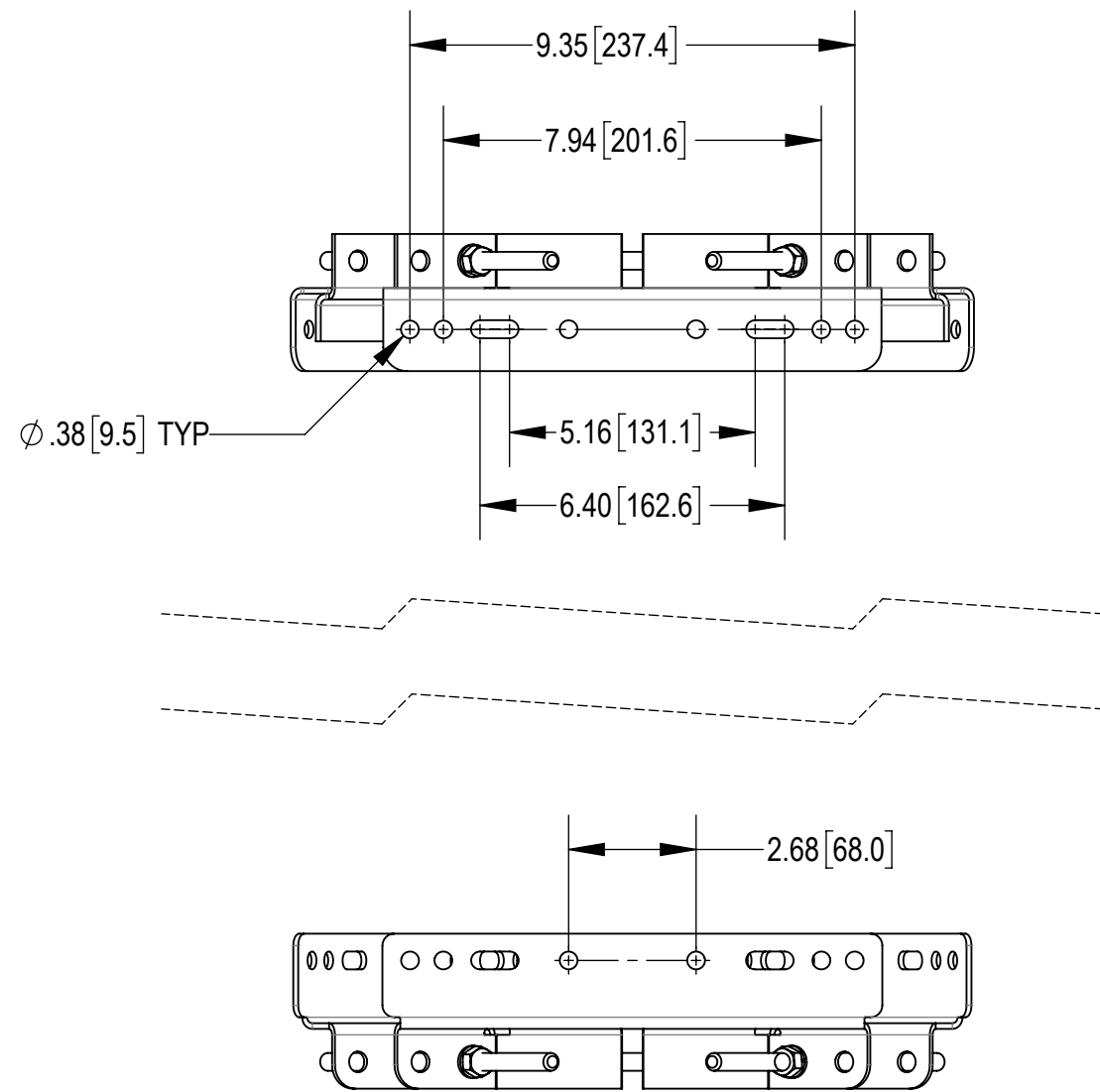
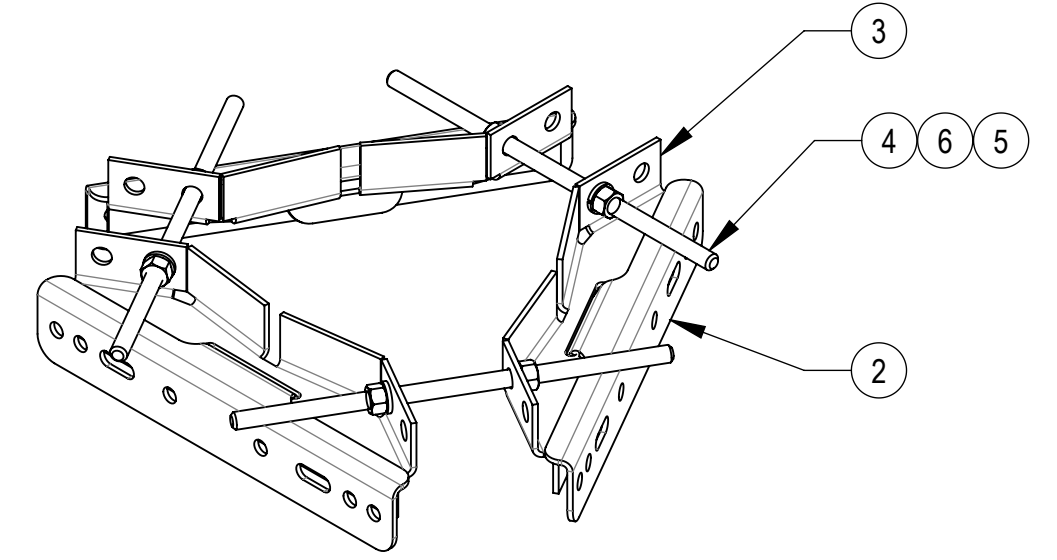
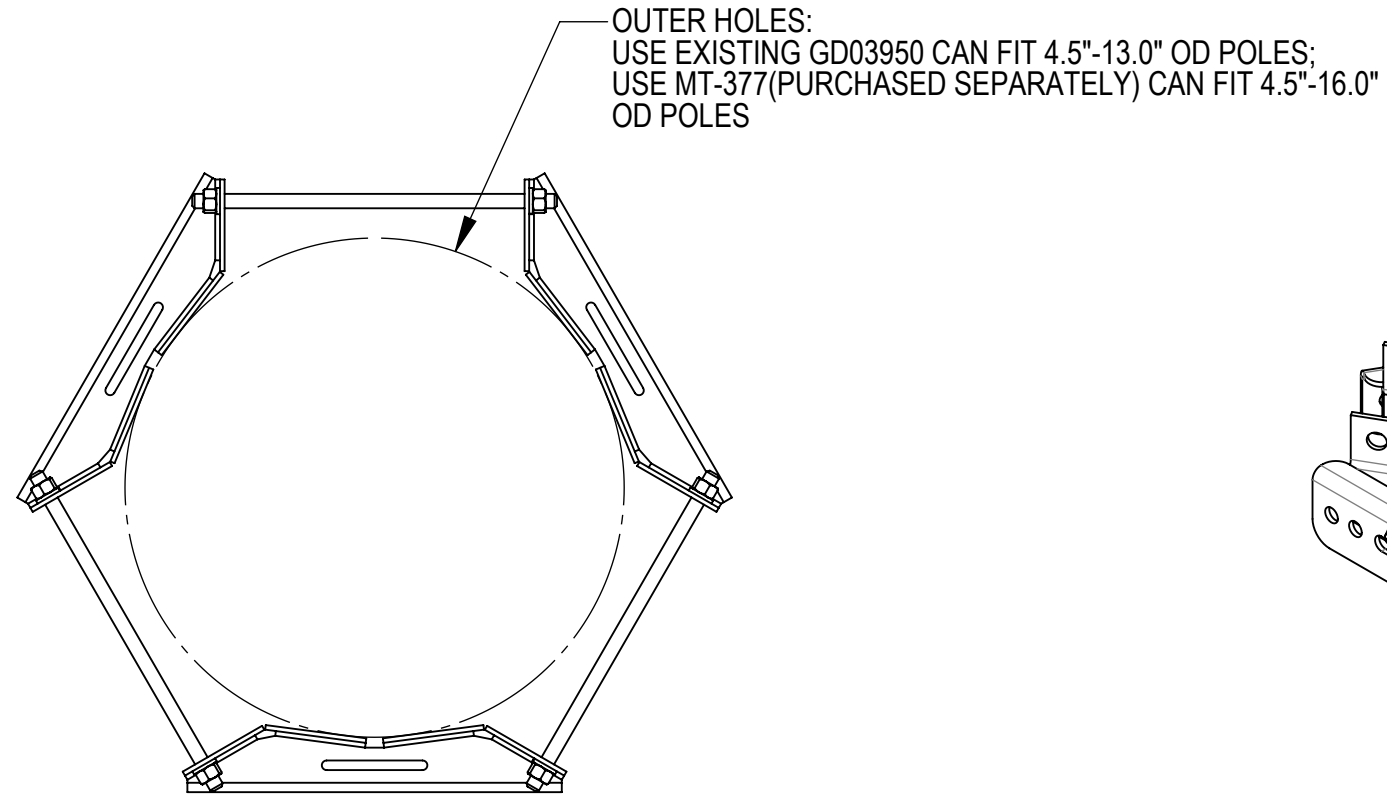
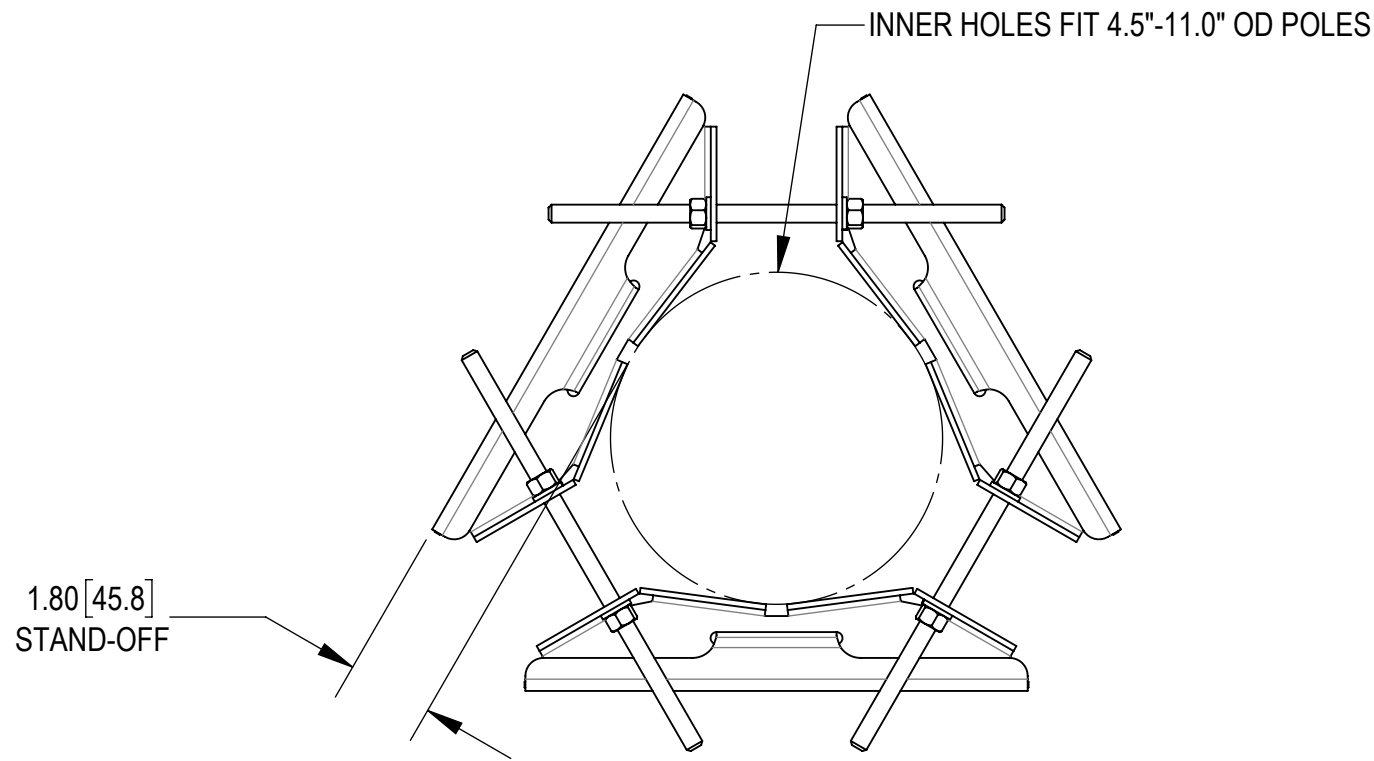
1

4

3


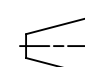
2

1



COMPONENT PART NUMBERS PROVIDED FOR ASSEMBLY PURPOSES;
INDIVIDUAL COMPONENTS MAY BE SHIPPED AS PARTS WITHIN AN INCLUDED KIT.

ITEM	PART NO.	DESCRIPTION	QTY.	WEIGHT	NOTE NO.
1	MTC371304	UNIVERSAL ANTENNA LWR CON MNT BRKT	3	1.52 LBS	
2	MTC371306	ANTENNA HANGING BRACKET	3	0.84 LBS	
3	MTC371305	UNIVERSAL ANTENNA UPPER CONCEALMENT MNT	3	1.07 LBS	
4	GD03950	3/8" X 9-1/2" GALV THREADED ROD	6	0.29 LBS	2.5
5	GWL-03	3/8" GALV LOCK WASHER	12	0.01 LBS	2.1
6	GN-03	3/8" GALV HEX NUT	12	0.00 LBS	2.1

COMMSCOPE, INC. OF NORTH CAROLINA				
TITLE UNIVERSAL CONCEALMENT ANTENNA MOUNT				
SIZE C	SCALE 1:1	DOCUMENT NO. MTC3713		
DRAWING		VERSION	STATUS	REVISION
 		02	RE	F
				SHEET 2 OF 3

© 2024 CommScope, Inc. Confidential

4

3

2

1

4

3

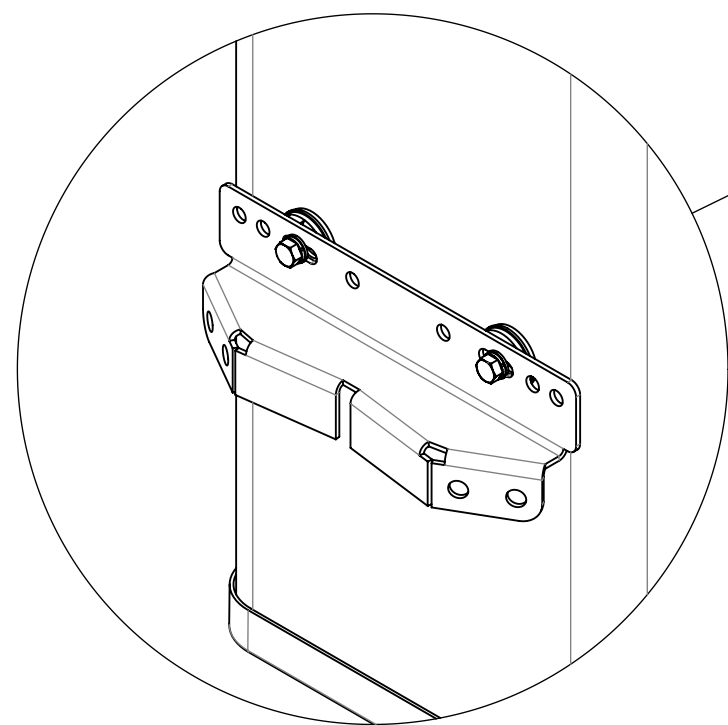
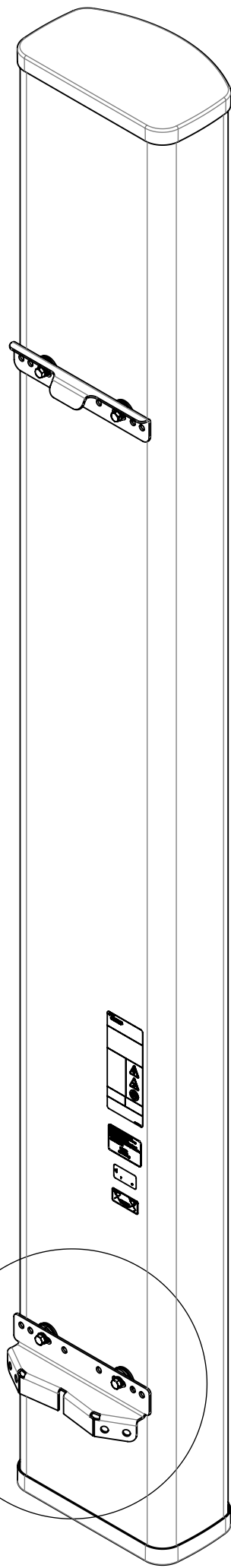
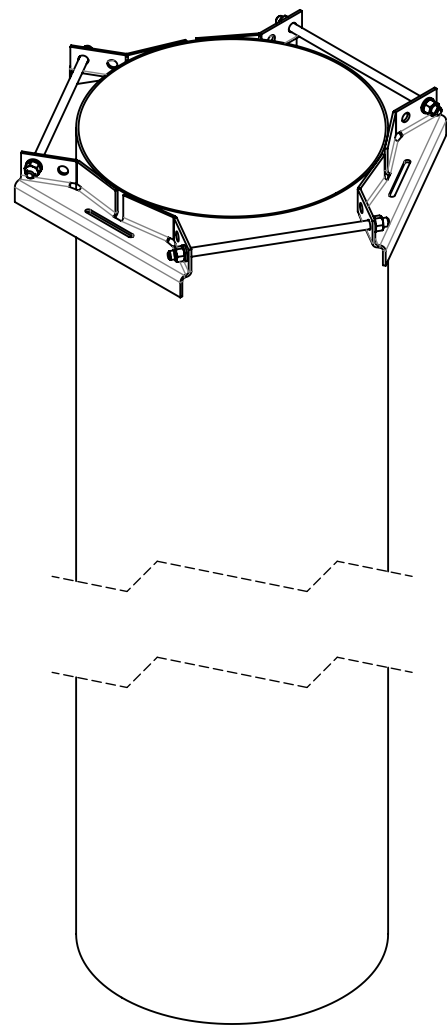
2

1

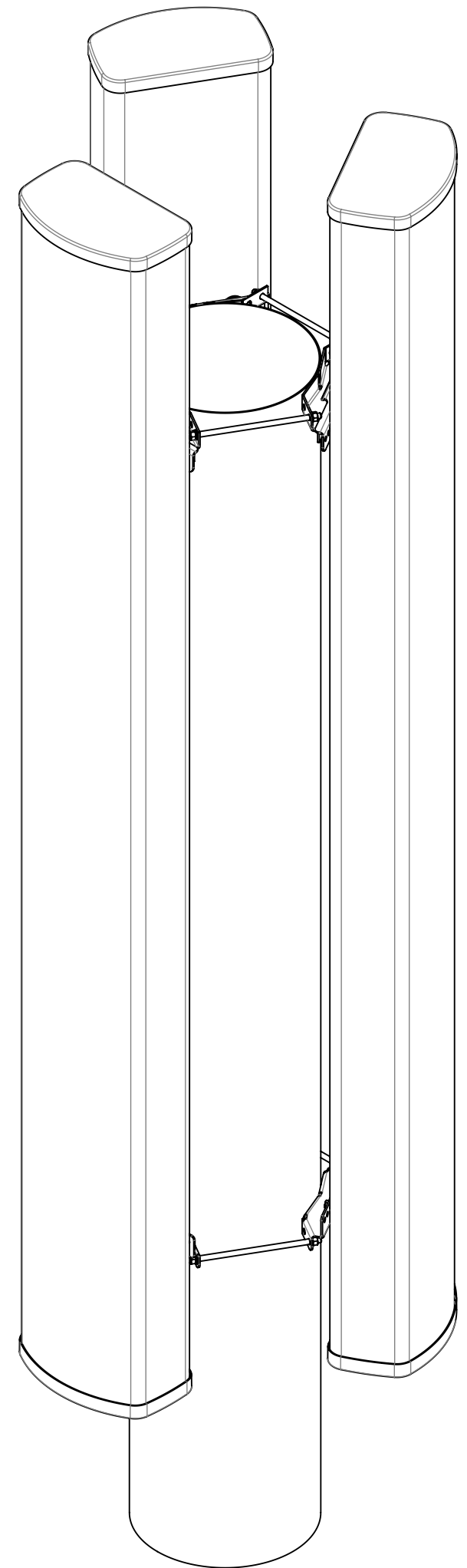
- 1.0 MOUNT TOP BRACKET THEN HANG ANTENNA.
- 2.0 CUSTOMER WILL USE EXISTING HARDWARE FROM ANTENNA FOR MOUNTING ANTENNA TO BRACKETS.
- 3.0 ANTENNA PIM MAY BE AFFECTED WITH THE USE OF ALTERNATE ANTENNA BRACKETS.


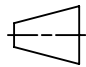
SEE NOTE 2.0

SEE NOTE 1.0



DETAIL A
SCALE 1 : 4



COMMSCOPE, INC. OF NORTH CAROLINA				
TITLE UNIVERSAL CONCEALMENT ANTENNA MOUNT				
SIZE C	SCALE 1:8	DOCUMENT NO. MTC3713		
 		DRAWING		SHEET 3 OF 3
		VERSION 02	STATUS RE	

4

3

2

1