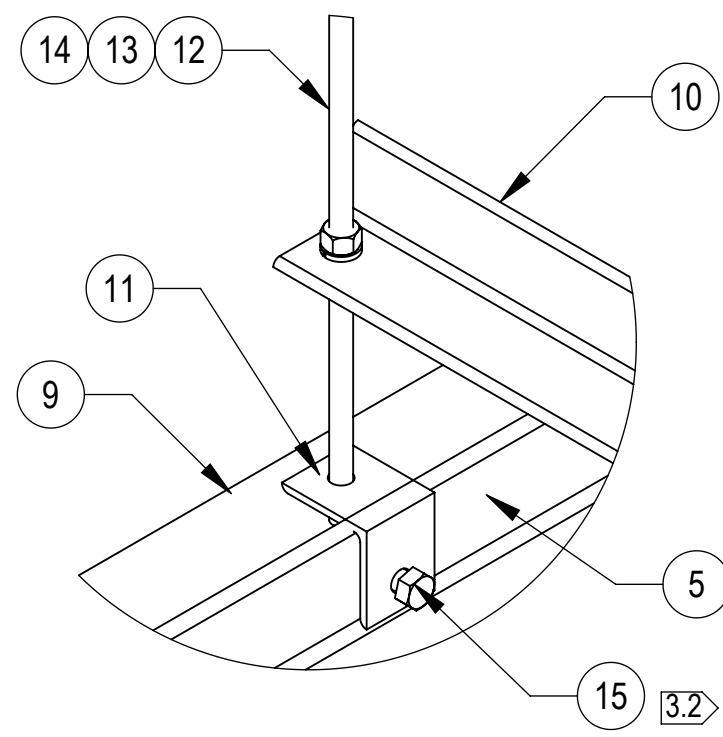
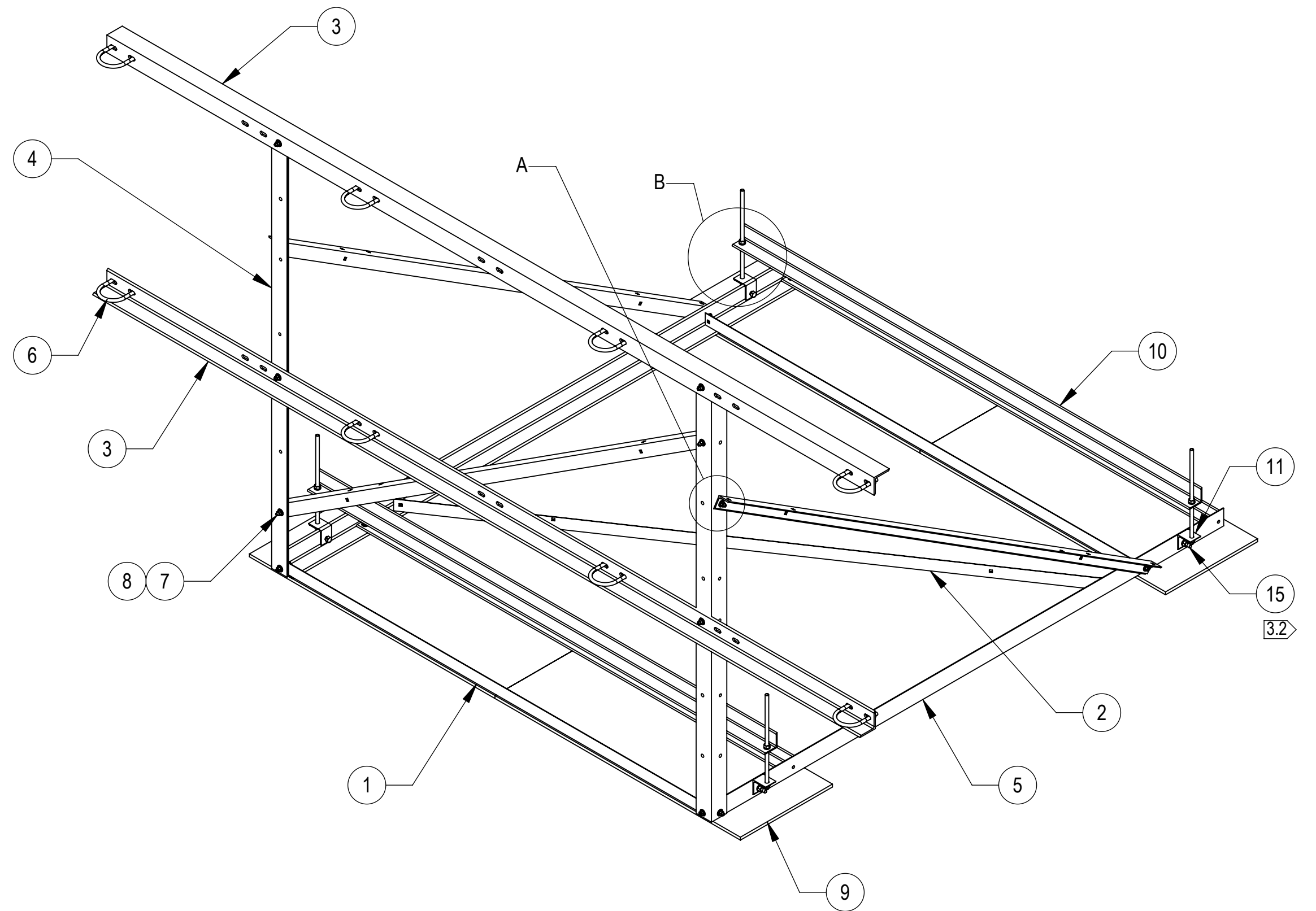


DETAIL A
SCALE 1:3


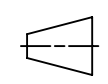


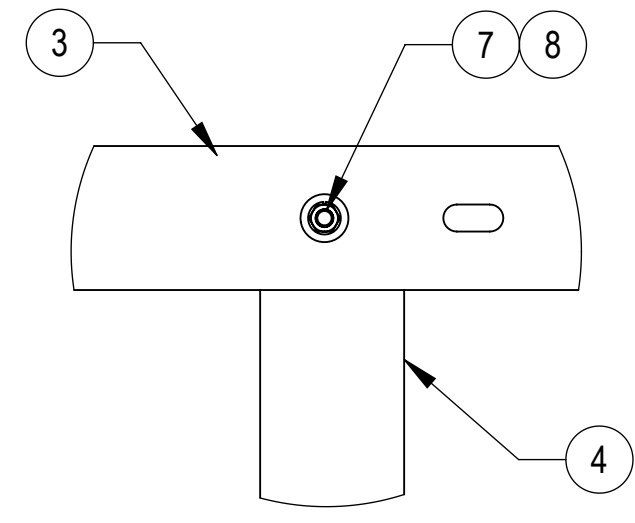
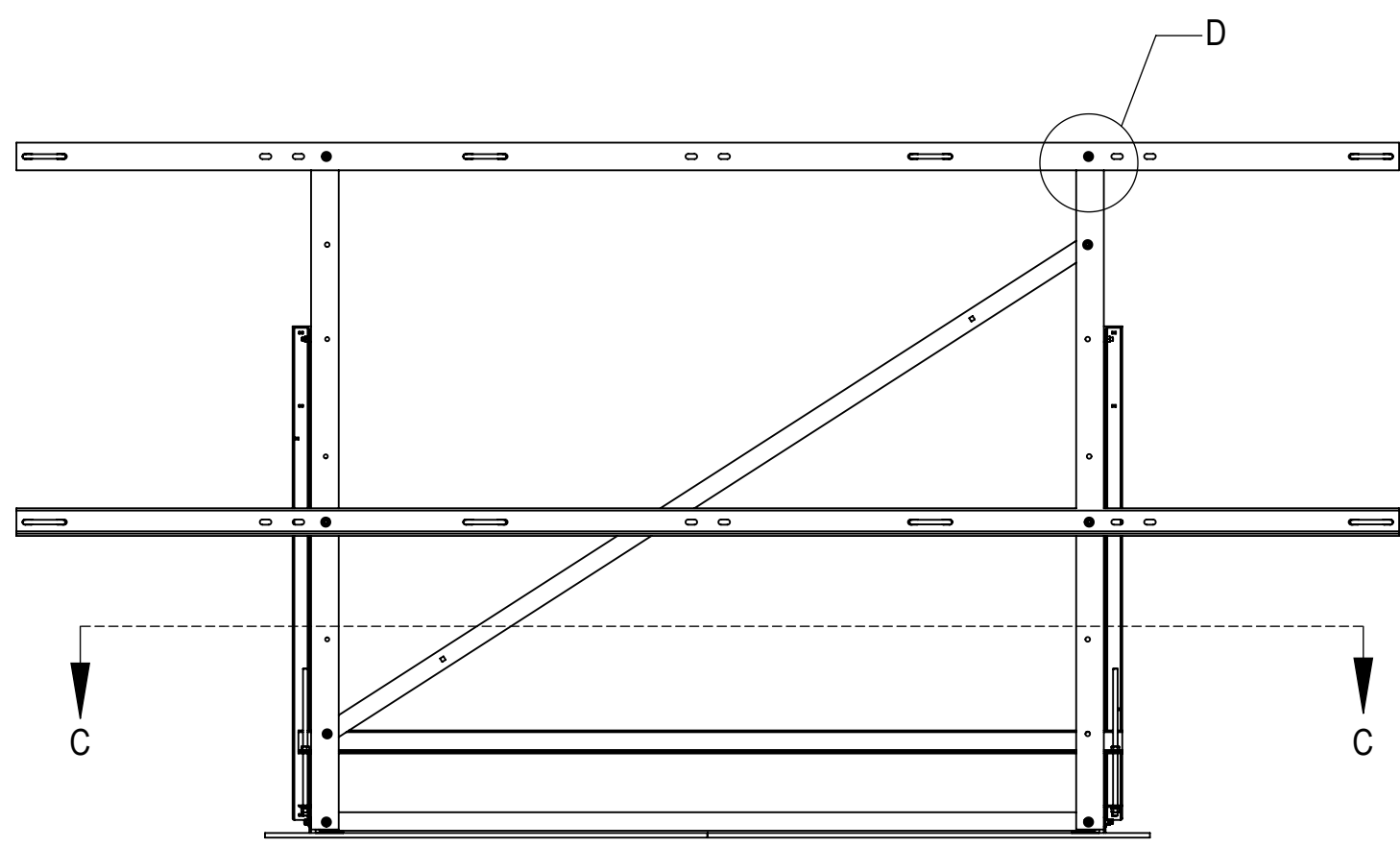
DETAIL B
SCALE 1:4



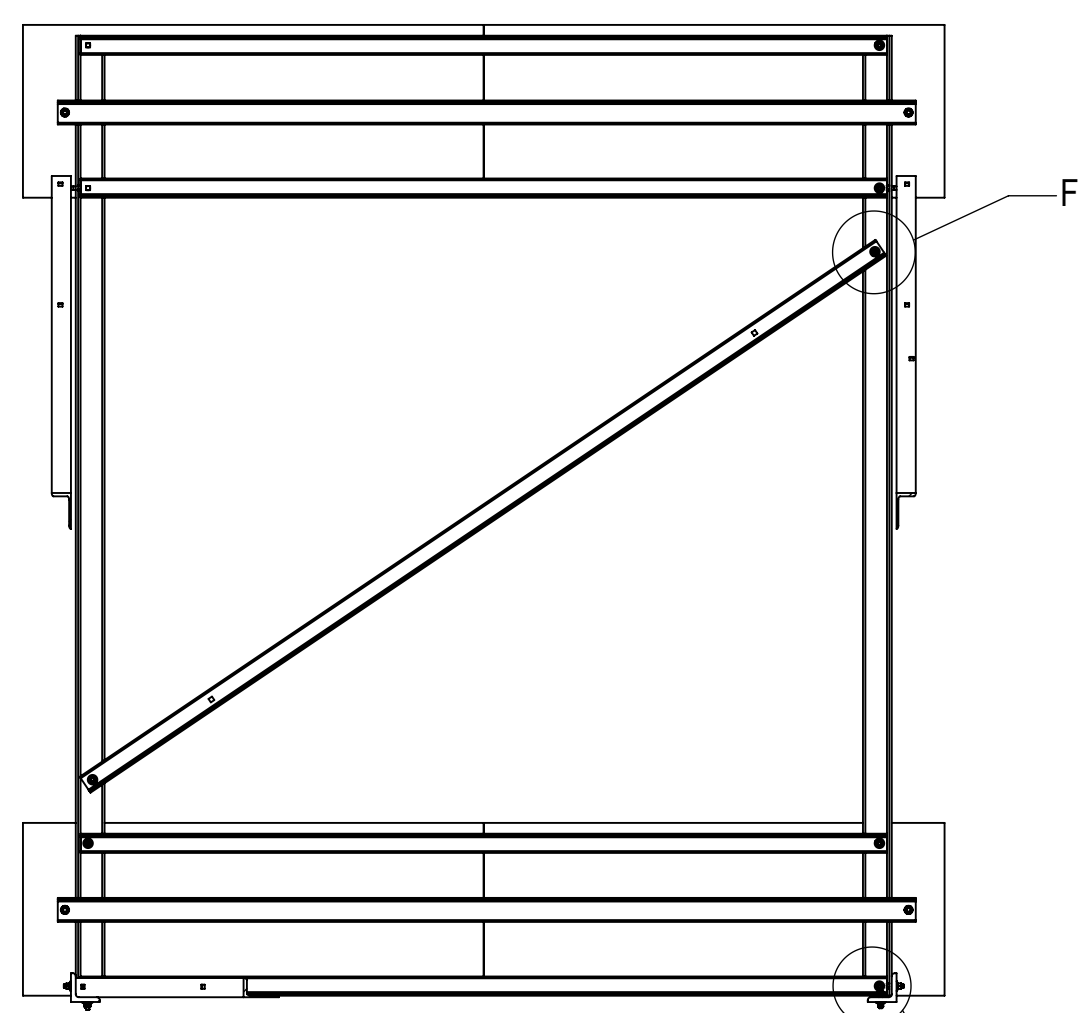
COMPONENT PART NUMBERS PROVIDED FOR ASSEMBLY PURPOSES;
INDIVIDUAL COMPONENTS MAY BE SHIPPED AS PARTS WITHIN AN INCLUDED KIT.

ITEM	PART NO.	DESCRIPTION	QTY.	WEIGHT	NOTE NO.
1	RFNB02	NON-PEN. ROOF MOUNT BASE ANGLE 2	4	16.70 LBS	
2	RFNB03	NON-PEN. ROOF MOUNT BASE ANGLE 3	4	19.84 LBS	
3	MTC9978HD1212	NON-PEN. ROOF MOUNT 12' FACE ANGLE	2	59.55 LBS	
4	RFNL01	NON-PEN. ROOF MOUNT VERTICAL ANGLE	2	56.34 LBS	
5	MTC997807	NON-PEN. ROOF MOUNT BASE ANGLE 7	2	40.03 LBS	
6	GUB-4355	1/2" X 3-5/8" X 5" GALV U-BOLT	8	0.71 LBS	
7	GB-03145	3/8" X 1-1/2" GALV BOLT KIT	22	0.07 LBS	
8	GWF-03	3/8" GALV FLAT WASHER	22	0.01 LBS	
9	MT-F1637	RUBBER MAT .5" X 18" X 48"	4	15.61 LBS	
10	MTC704901	ANTI- THEFT BAR	2	22.51 LBS	
11	MTC8326.01	CLIP ANGLE	4	0.48 LBS	
12	MT37916	1/2" X 16" GALV THREADED ROD	4	0.88 LBS	
13	GWL-04	1/2" GALV LOCK WASHER	8	0.01 LBS	
14	GN-04	1/2" GALV HEX NUT	8	0.04 LBS	
15	GB-0416A	1/2" X 1-3/4" GALV BOLT KIT (A325)	4	0.14 LBS	

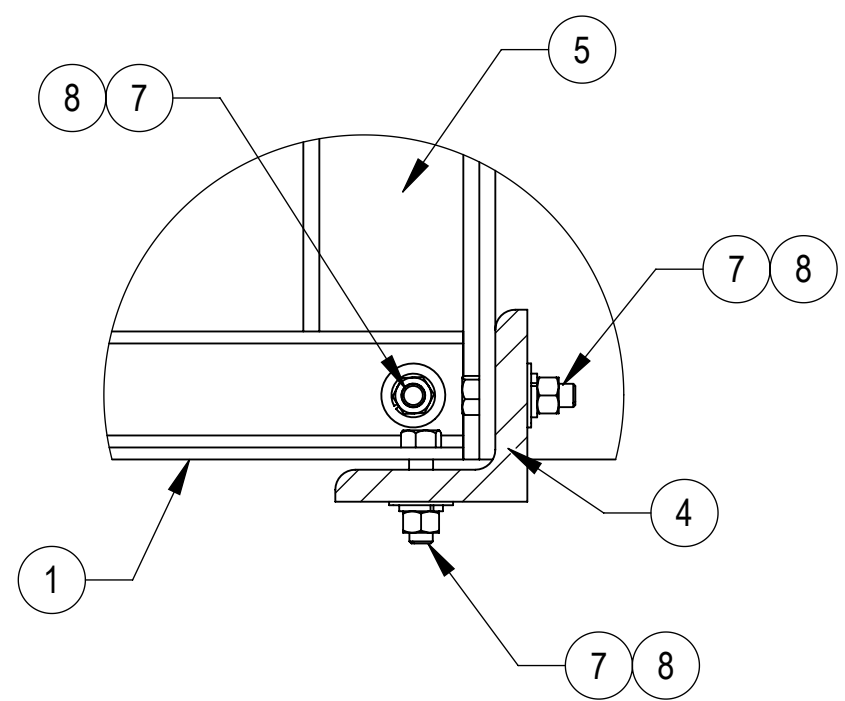
COMMSCOPE, INC. OF NORTH CAROLINA				
TITLE NON-PEN ROOF FRAME, 12'-6" FACE, NO PIPES				
SIZE C	SCALE 1:20	DOCUMENT NO. RF-NL12-B		
DRAWING		VERSION	STATUS	REVISION
 		00	RE	B
				SHEET 2 OF 4



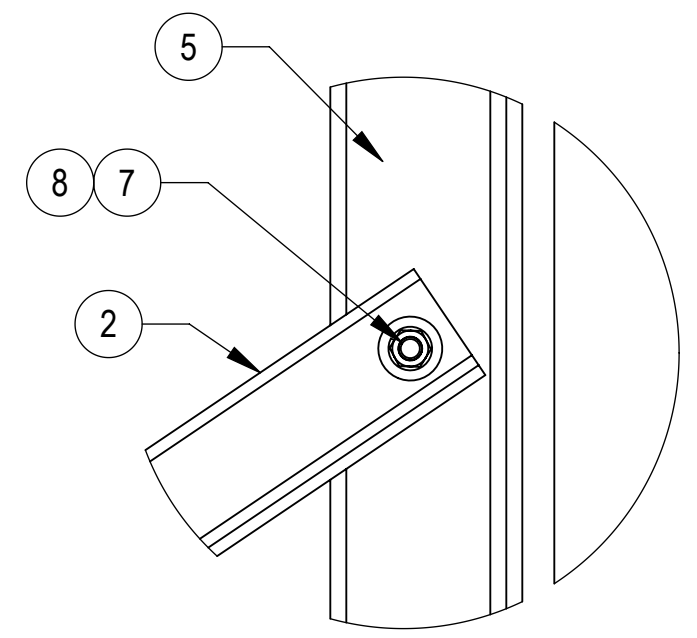
DETAIL D
SCALE 1 : 4



SECTION C-C
SCALE 1 : 20



DETAIL E
SCALE 1 : 3



DETAIL F
SCALE 1 : 3

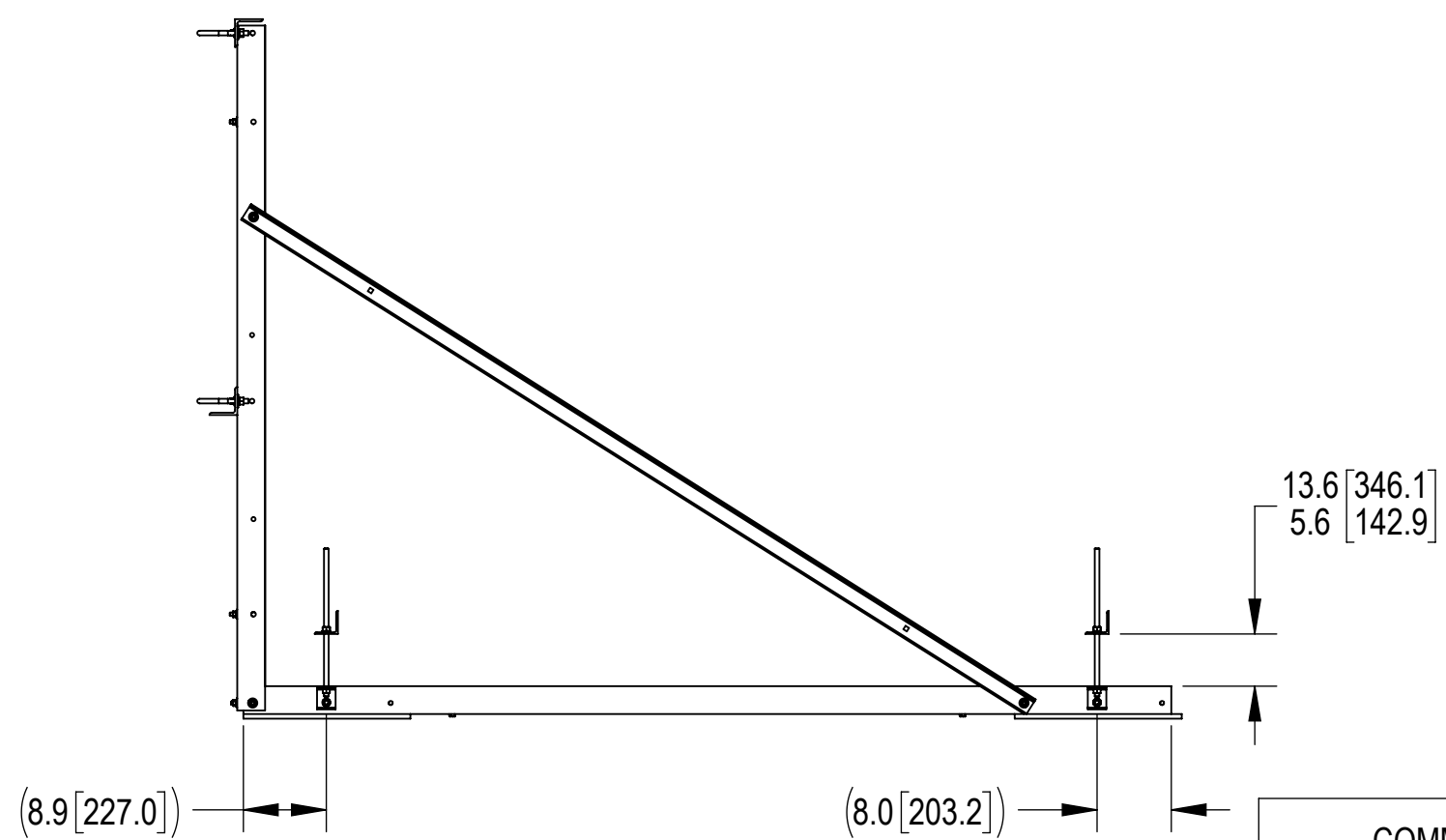
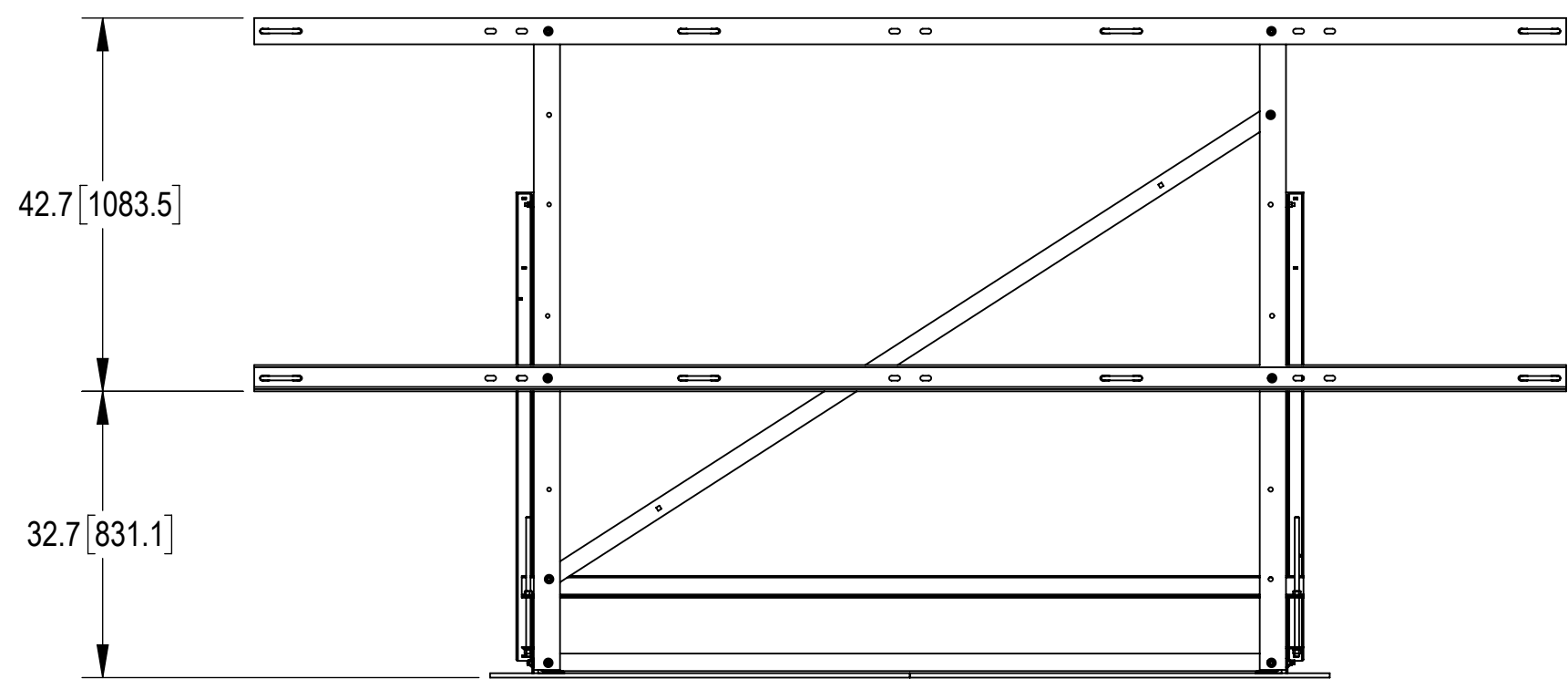
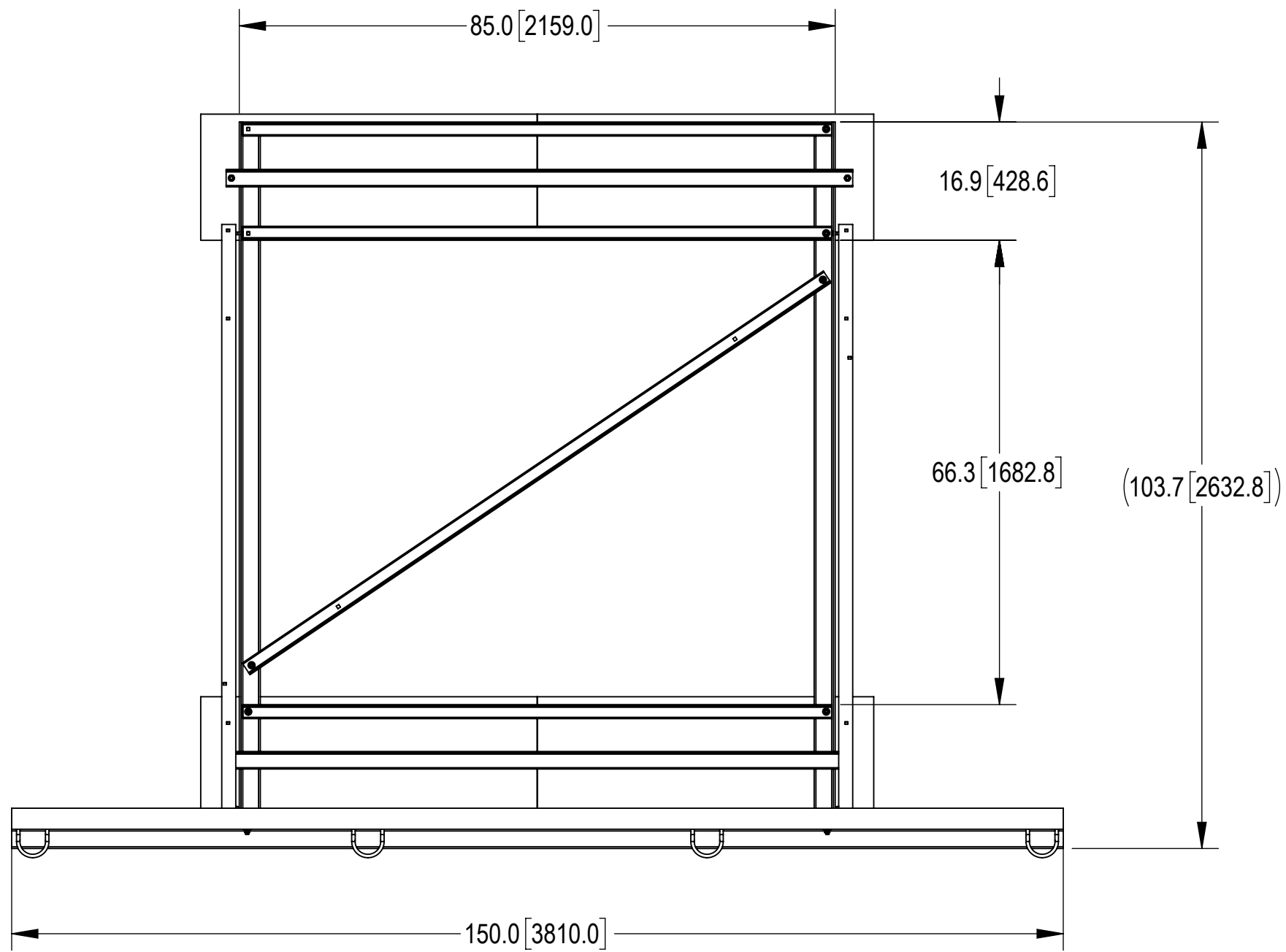
COMMSCOPE, INC. OF NORTH CAROLINA					
TITLE NON-PEN ROOF FRAME, 12'-6" FACE, NO PIPES					
SIZE C	SCALE 1:20	DOCUMENT NO. RF-NL12-B			
		DRAWING			SHEET
		VERSION	STATUS	REVISION	3 OF 4
		00	RE	B	

4

3

2

1



COMMSCOPE, INC. OF NORTH CAROLINA				
TITLE NON-PEN ROOF FRAME, 12'-6" FACE, NO PIPES				
SIZE C	SCALE 1:20	DOCUMENT NO. RF-NL12-B		
		DRAWING		SHEET
		VERSION	STATUS	REVISION
		00	RE	B
				4 OF 4

© 2024 CommScope, Inc. Confidential

4

3

2

1

D

D

C

C

B

B

A

A