

BUDI-2S

Base Product



BUDI™ Fiber Optic Wall mount Enclosure, extra small size (2S)

CommScope's BUDI™ portfolio of wall-mounted, indoor and outdoor fiber boxes is a modular and configurable platform for building entrance deployments. Available in a large variety of models to meet the needs of a wide range of MDU applications, it offers rugged environmental protection; is UL listed, UV resistant, and IP54 rated and is designed for easy installation and accessibility.

The CommScope BUDI™ family is ideal for small to medium size buildings. It provides a flexible fiber management system for transitioning outside plant cable to indoor cable via splicing or with connectorized cable assemblies. It incorporates proven fiber routing procedures, cable termination accessories and splice trays resulting in consistent, high-quality fiber management. Available add-on passive optical modules support the new G/EPON architecture. The BUDI™ portfolio offers the flexibility to address the needs of today's and tomorrow's fiber networks while maintaining commonality of components and operational practices.

Features and benefits:

- Indoor or indoor/outdoor (IP54) rugged termination point
- UL listed and UV resistant enclosure
- Wide range of cable size supported
- Splice only and splice and patch versions
- Pre-terminated versions available
- Splitter versions available
- Hardened terminal versions available

Product Classification

Regional Availability	Asia Australia/New Zealand EMEA Latin America North America
Portfolio	CommScope®
Product Type	Fiber wall box
Product Brand	BUDI™ FIST®
Product Series	BUDI

General Specifications

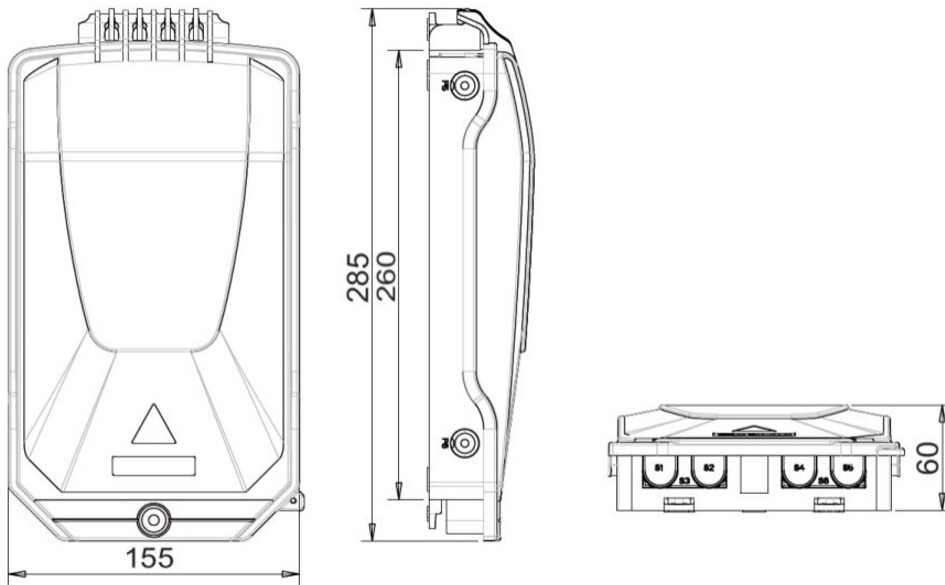
Functionality	Patching Splicing Splitting
Access	Front
Enclosure Color	Gray
Front Cover Type	Snap-on cover
Mounting	Wall

BUDI-2S

Dimensions

Height	260 mm 10.236 in
Height, with cover	285 mm 11.22 in
Width	155 mm 6.102 in
Depth	60 mm 2.362 in

Dimension Drawing



Material Specifications

Enclosure Material Type	LSZH thermoplastic
--------------------------------	--------------------

Environmental Specifications

Environmental Space	Indoor/Outdoor
Qualification Standards	IEC 60529, IP54 IEC 61753-1, category G

Packaging and Weights

Packaging quantity	1
Packaging Type	Box Carton

Regulatory Compliance/Certifications

Agency	Classification
---------------	-----------------------

BUDI-2S

CHINA-ROHS	Above maximum concentration value
ROHS	Compliant/Exempted
UK-ROHS	Compliant/Exempted

