

4

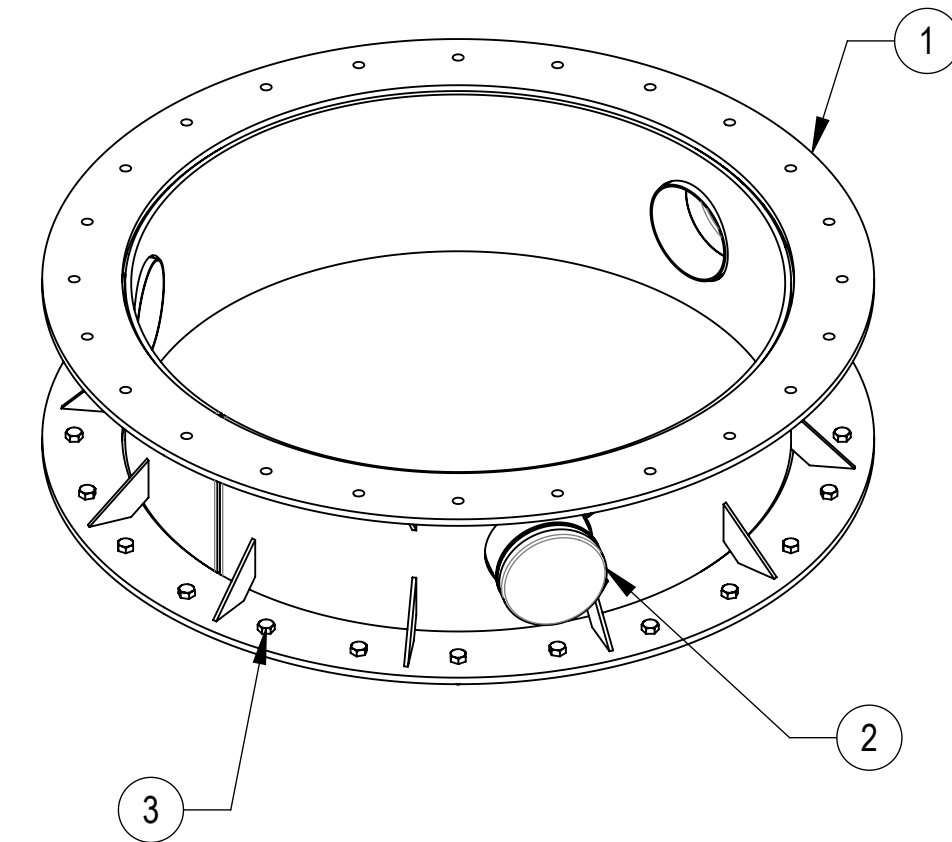
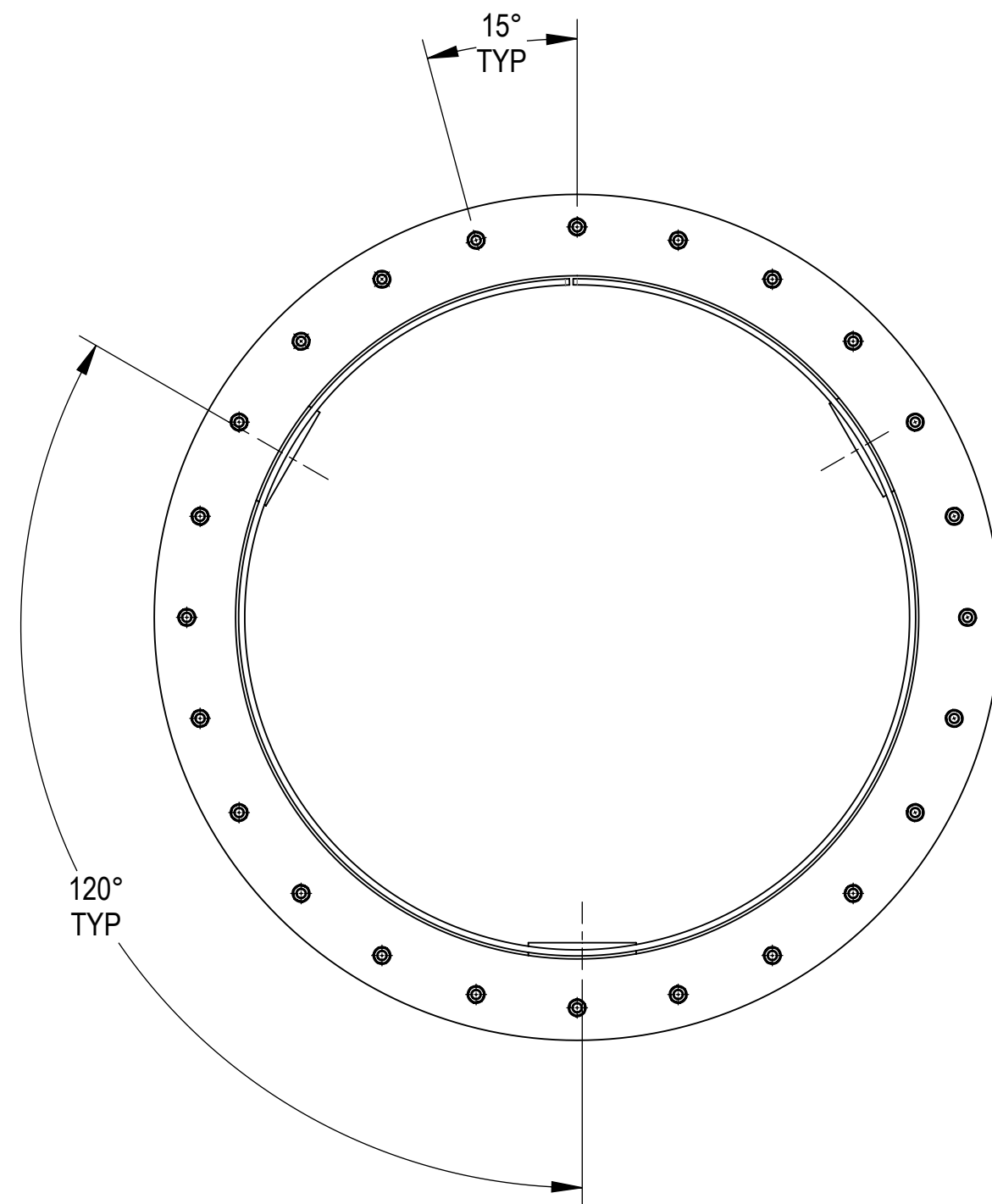
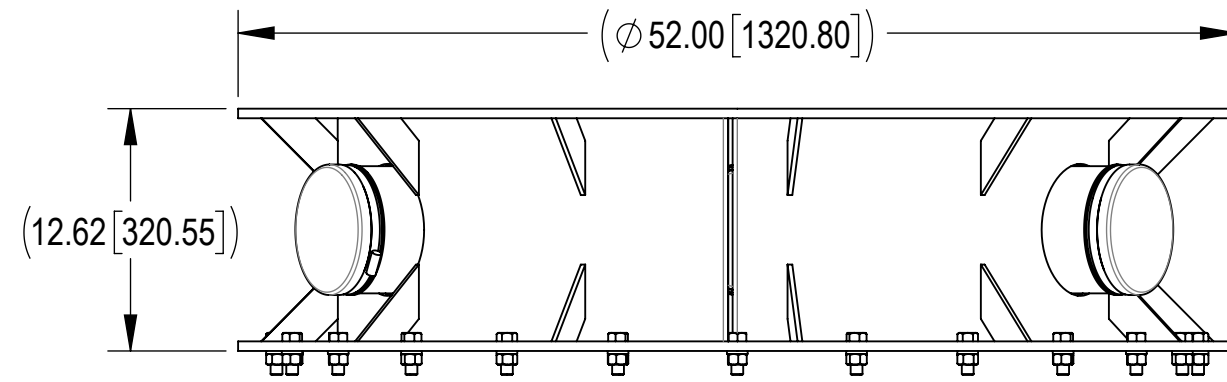
3

2

1

- 1.0 GENERAL NOTES
 - 1.1 ALL METRIC DIMENSIONS ARE IN BRACKETS [X.X]
 - 1.2 FOR PATENT INFO: <https://www.cs-pat.com>
- 2.0 DESIGN NOTES
- 3.0 MANUFACTURING/SPECIAL REQUIREMENTS
- 4.0 TEST
- 5.0 PACKAGING
 - 5.1 PACKAGING SHALL MEET COMMSCOPE REQUIREMENTS PER DOCUMENT IS-PL-3005
 - 5.2 PRINTED DOCUMENT TO BE PLACED INSIDE POLYBAG AND THEN IN SHIPPING CONTAINER
 - 5.3 EXTRA HARDWARE MAY BE SUPPLIED, BAGGED AND SHIPPED


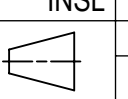
REVISIONS			
REV.	DESCRIPTION	DATE	APPROVED
A	INITIAL RELEASE	JTS 22NOV00	MTW
B	UPDATED PARTS LIST	ACG 13AUG02	MTW
C	REDRAWN IN SOLIDWORKS	YX1027 17JUL24	BA1025 40200320CMO



COMPONENT PART NUMBERS PROVIDED FOR ASSEMBLY PURPOSES;
INDIVIDUAL COMPONENTS MAY BE SHIPPED AS PARTS WITHIN AN INCLUDED KIT.

ITEM NO.	PART NUMBER	DESCRIPTION	QTY.	WEIGHT	NOTE NO.
1	WTSPME105	POD EXTENSION	1	376.63 LBS	
2	WTSPM36	ENTRY PORT CAP	3	0.68 LBS	
3	GB-05165	5/8" X 1-3/4" GALV BOLT KIT	24	0.24 LBS	

DENSITY	387.03	lbs/in ³
MASS	387.03	lbs
VOLUME	1410.99	in ³
SURFACE AREA	7838.27	in ²
HEIGHT	14"	
LENGTH	52"	
WIDTH	52"	

COMMSCOPE, INC. OF NORTH CAROLINA											
TOLERANCES					SAP MATERIAL MASTER						
1 PLACE .X[X] ± 0.06[1.5]			3 PLACE .XXX[X] ± 0.010[0.3]		WT-SPM-E1						
2 PLACE .XX[X] ± 0.03[0.8]			ANGLES ± 2°		FINISH						
MATERIAL					TITLE						
UNLESS OTHERWISE SPECIFIED DIMENSIONS ARE IN INCHES INTERPRET PER ANSI Y 14.5M-1994					NAME		DATE		POD EXTENSION		
					CE JTS		22NOV00				
					RW YMENG		07/22/2024				
					AD YX1027		07/23/2024				
ECN 40200320CMO					SCALE		DOCUMENT NO.				
					1:12		WT-SPM-E1				
SIZE		Auth Group		INSL		MODEL			DRAWING		
C		 				VERSION		STATUS		REVISION	
						00		RE		C	
						00		RE		C	
SHEET 1 OF 1											