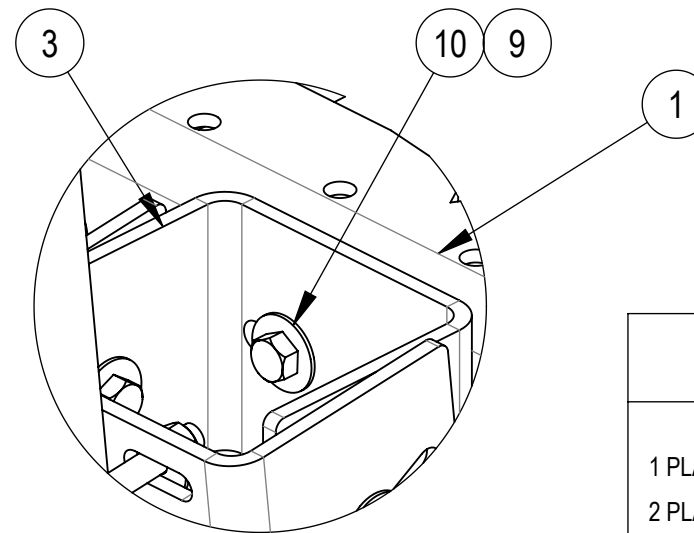
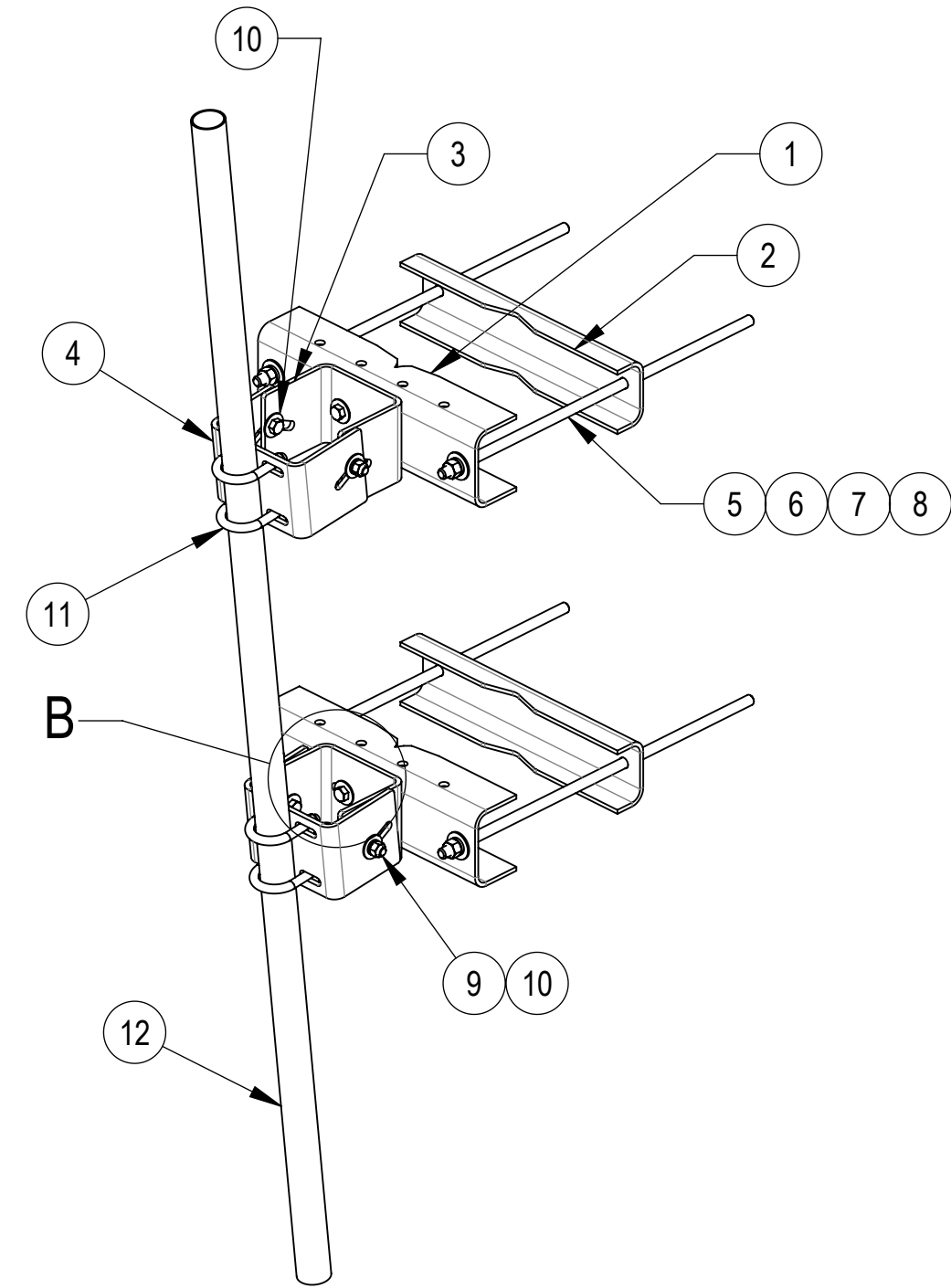
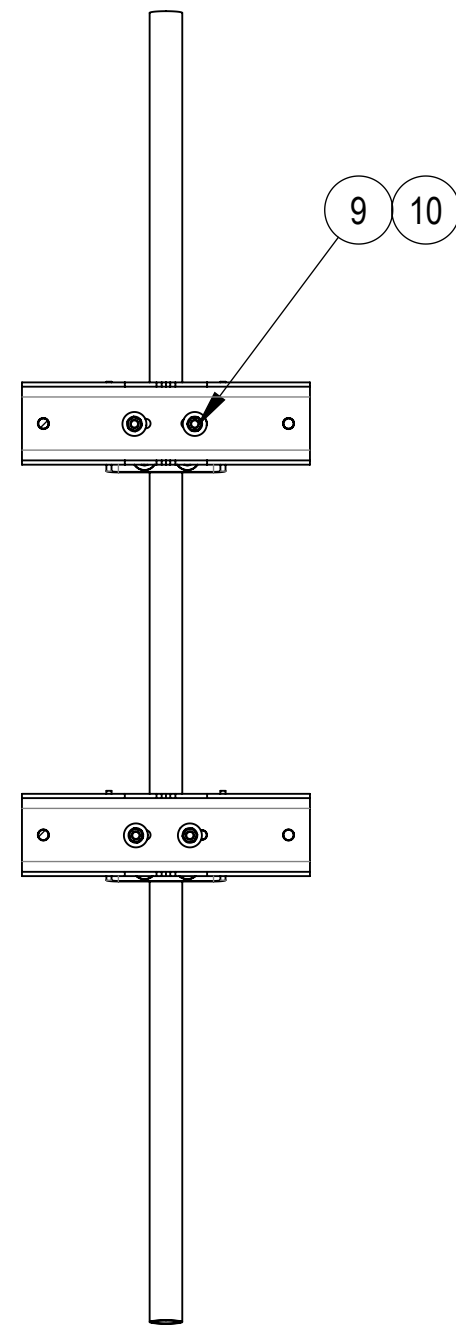
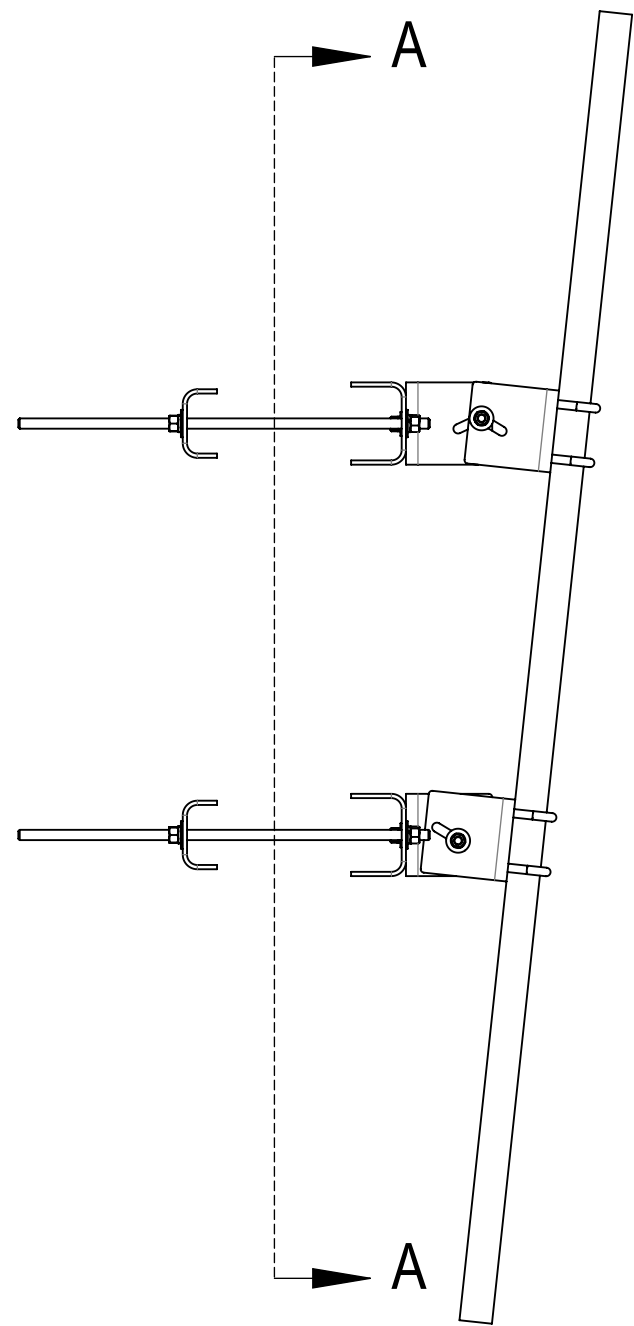


- 1.0 GENERAL NOTES
 1.1 ALL METRIC DIMENSIONS ARE IN BRACKETS [X.X]
 1.2 FOR PATENT INFO: <https://www.cs-pat.com>
 2.0 DESIGN NOTES
 2.1 FITS TOWER LEGS UP TO 16" ROUND OR 60° ANGLE, 12" 90° ANGLE.
 3.0 MANUFACTURING/SPECIAL REQUIREMENTS
 3.1 TIGHTEN ALL BOLTS SECURING FLAT PLATES BY THE TURN-OF-NUT METHOD. TIGHTEN ALL U-BOLTS USING TURN-OF-NUT METHOD WITH ATTENTION TO LEAVE EQUAL DISTANCE AND EQUAL FORCE ON EACH LEG OF THE U-BOLT.
 4.0 TEST
 5.0 PACKAGING
 5.1 PACKAGING SHALL MEET COMMScope REQUIREMENTS PER DOCUMENT IS-PL-3005.
 5.2 PRINTED DOCUMENT TO BE PLACED INSIDE POLYBAG AND THEN IN SHIPPING CONTAINER.
 5.3 EXTRA HARDWARE MAY BE SUPPLIED, BAGGED AND SHIPPED.

REVISIONS			
REV.	DESCRIPTION	DATE	APPROVED
A	INDIVIDUAL DRAWING INITIAL RELEASE	YX1027 14JUN24	AIBIN 40198118CMO



SECTION A-A

DETAIL B
SCALE 1 : 4

COMPONENT PART NUMBERS PROVIDED FOR ASSEMBLY PURPOSES;
 INDIVIDUAL COMPONENTS MAY BE SHIPPED AS PARTS WITHIN AN INCLUDED KIT.

ITEM NO.	PART NUMBER	DESCRIPTION	QTY.	WEIGHT	NOTE NO.
1	SMU201601	LARGE SADDLE MOUNT, 16" TOWER LEG	2	22.4 LBS	
2	SMU201602	CLAMP PLATE	2	15.5 LBS	
3	MTC985101	INNER CHANNEL FOR MTC9851 MOUNT	2	11.52 LBS	
4	MTC985102	OUTER CHANNEL	2	11.78 LBS	
5	MT38430B7	3/4" X 30" GALV THREADED ROD, GRADE B7	4	3.7 LBS	
6	GWF-06	3/4" GALV FLAT WASHER	8	0.10 LBS	
7	GWL-06	3/4" GALV LOCK WASHER	8	0.04 LBS	
8	GN-06	3/4" GALV HEX NUT	8	0.15 LBS	
9	GB-0520A	5/8" X 2" GALV BOLT KIT (A325)	8	0.26 LBS	
10	GWF-05	5/8" GALV FLAT WASHER, 1.7OD	16	0.06 LBS	
11	GUB52440	5/8" X 2-1/2" X 4" GALV U-BOLT	4	0.9 LBS	
12	MT-651-96	2.375" OD X 96" PIPE	1	23.05 LBS	

DENSITY		lbs/in ³
MASS	171.59	lbs
VOLUME	608.07	in ³
SURFACE AREA	4931.39	in ²
HEIGHT	95.71"	
LENGTH	21"	
WIDTH	44.75"	

COMMScope, INC. OF NORTH CAROLINA

TOLERANCES
 1 PLACE .X[X] ± .12[0.3] 3 PLACE .XXX[X] ± .03[0.8]
 2 PLACE .XX[X] ± .06[1.5] ANGLES ± 2°

SAP MATERIAL MASTER
PML-SC2-96

FINISH: _____ MATERIAL: _____

NAME	DATE	TITLE
CE YX1027	14JUN24	LL UNIV. OPEN FACE PIPE MNT ,2-3/8"ODX96"
RW YX1027	06/14/2024	
AD YMENG	06/21/2024	
RE YMENG	06/26/2024	

SCALE: **1:16** DOCUMENT NO.: **PML-SC2-96**

ECN 40198118CMO

SIZE	Auth Group	INSL	MODEL	DRAWING			SHEET			
C				VERSION	STATUS	REVISION	VERSION	STATUS	REVISION	1 OF 1
				01	RE	B	00	RE	A	