

Fiber indoor/outdoor cable, LightScope ZWP® , Dry loose tube, 16 fiber, Singlemode G.652.D, Gel-free, Meters jacket marking, Yellow jacket color, Eca flame rating. Provides Rodent Resistance

OBSOLETE

This product was discontinued on: March 31, 2023

Product Classification

Regional Availability	Asia Australia/New Zealand EMEA
Portfolio	CommScope®
Product Type	Fiber indoor/outdoor cable
Product Series	C-CN

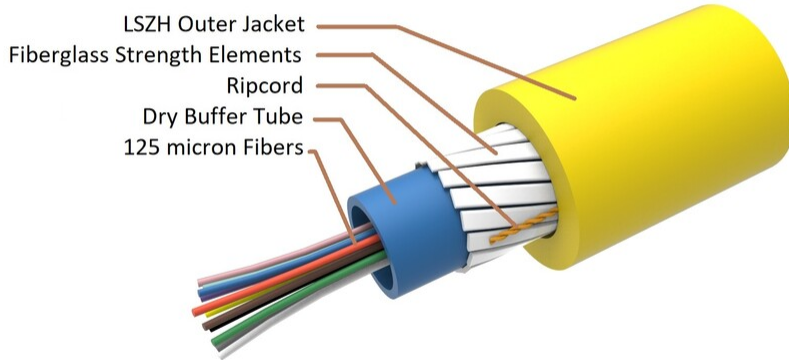
General Specifications

Cable Type	Central loose tube
Construction Type	Non-armored
Subunit Type	Gel-free
Jacket Color	Yellow
Jacket Marking	Meters
Subunit, quantity	1
Fibers per Subunit, quantity	16
Total Fiber Count	16

Dimensions

Cable Length	1000 m 3,280.84 ft
Buffer Tube/Subunit Diameter	4 mm 0.157 in
Diameter Over Jacket	8 mm 0.315 in

Representative Image



Mechanical Specifications

Minimum Bend Radius, loaded	150 mm 5.906 in
Minimum Bend Radius, unloaded	140 mm 5.512 in
Tensile Load, long term, maximum	650 N 146.126 lbf
Tensile Load, short term, maximum	1250 N 281.011 lbf
Compression	20 N/mm 114.203 lb/in
Compression Test Method	IEC 60794-1-2 E3
Impact	5 N-m 44.254 in lb
Impact Test Method	IEC 60794-1 E4
Twist	5 cycles

Optical Specifications

Fiber Type	G.652.D
-------------------	---------

Optical Specifications, Wavelength Specific

Attenuation, maximum	0.35 dB/km @ 1,300 nm 0.35 dB/km @ 1,550 nm 0.45 dB/km @ 1,310 nm
Standards Compliance	IEC 60794-1 TIA-492CAAB (OS2)

Environmental Specifications

Installation temperature	-10 °C to +70 °C (+14 °F to +158 °F)
Operating Temperature	-10 °C to +70 °C (+14 °F to +158 °F)
Storage Temperature	-10 °C to +70 °C (+14 °F to +158 °F)
EN50575 CPR Cable EuroClass Fire Performance	Eca
Environmental Space	Universal Low Smoke Zero Halogen (ULSZH)

Environmental Test Specifications

Temperature Cycle	-20 °C to +70 °C (-4 °F to +158 °F)
Temperature Cycle Test Method	IEC 60794-1-2 F1

Packaging and Weights

Cable weight	62 kg/km 41.662 lb/kft
---------------------	--------------------------

Included Products

CS-8W-250-EMEA – LightScope ZWP® Singlemode Fiber
250um

* Footnotes

Operating Temperature Specification applicable to non-terminated bulk fiber cable

LightScope ZWP® Singlemode Fiber



Product Classification

Portfolio	CommScope®
Product Type	Optical fiber

General Specifications

Cladding Diameter	125 µm
Cladding Diameter Tolerance	±0.7 µm
Cladding Non-Circularity, maximum	0.7 %
Coating Diameter (Colored)	249 µm
Coating Diameter (Uncolored)	242 µm
Coating Diameter Tolerance (Colored)	±13 µm
Coating Diameter Tolerance (Uncolored)	±5 µm
Coating/Cladding Concentricity Error, maximum	12 µm
Core/Clad Offset, maximum	0.5 µm
Proof Test	689.476 N/mm ² 100000 psi

Dimensions

Fiber Curl, minimum	4 m 13.123 ft
----------------------------	-----------------

Mechanical Specifications

Macrobending, 20 mm Ø mandrel, 1 turn	0.75 dB @ 1,550 nm 1.50 dB @ 1,625 nm
Macrobending, 30 mm Ø mandrel, 10 turns	0.25 dB @ 1,550 nm 1.00 dB @ 1,625 nm
Macrobending, 60 mm Ø mandrel, 100 turns	0.05 dB @ 1,550 nm 0.05 dB @ 1,625 nm
Coating Strip Force, maximum	8.9 N 2.001 lbf
Coating Strip Force, minimum	1.3 N 0.292 lbf

CS-8W-250-EMEA | 250um

Dynamic Fatigue Parameter, minimum 20

Optical Specifications

Cabled Cutoff Wavelength, maximum 1250 nm

Point Defects, maximum 0.05 dB

Zero Dispersion Slope, maximum 0.092 ps/[km-nm-nm]

Zero Dispersion Wavelength, maximum 1324 nm

Zero Dispersion Wavelength, minimum 1300 nm

Optical Specifications, Wavelength Specific

Attenuation, maximum 0.21 dB/km @ 1,550 nm | 0.24 dB/km @ 1625 nm | 0.25 dB/km @ 1,490 nm | 0.35 dB/km @ 1,310 nm | 0.35 dB/km @ 1,385 nm

Dispersion, maximum 18 ps(nm-km) at 1550 nm | 2.2 ps(nm-km) at 1625 nm | 3.5 ps(nm-km) from 1285 nm to 1330 nm at 1310 nm

Index of Refraction 1.467 @ 1,310 nm | 1.468 @ 1,550 nm

Mode Field Diameter 10.4 μm @ 1,550 nm | 9.2 μm @ 1,310 nm

Mode Field Diameter Tolerance $\pm 0.4 \mu\text{m}$ @ 1310 nm | $\pm 0.5 \mu\text{m}$ @ 1550 nm

Polarization Mode Dispersion Link Design Value, maximum 0.06 ps/sqrt(km)

Standards Compliance ITU-T G.652.D | ITU-T G.657.A1

Environmental Specifications

Heat Aging, maximum 0.05 dB/km @ 85 °C

Temperature Dependence, maximum 0.05 dB/km

Temperature Humidity Cycling, maximum 0.05 dB/km

Water Immersion, maximum 0.05 dB/km @ 23 °C

* Footnotes

Temperature Dependence, maximum Temperature dependence is conducted at -60 °C to +85 °C (-76 °F to +185 °F)

Temperature Humidity Cycling, maximum Temperature humidity cycling is conducted at -10 °C to +85 °C (+14 °F to +185 °F) up to 95% relative humidity