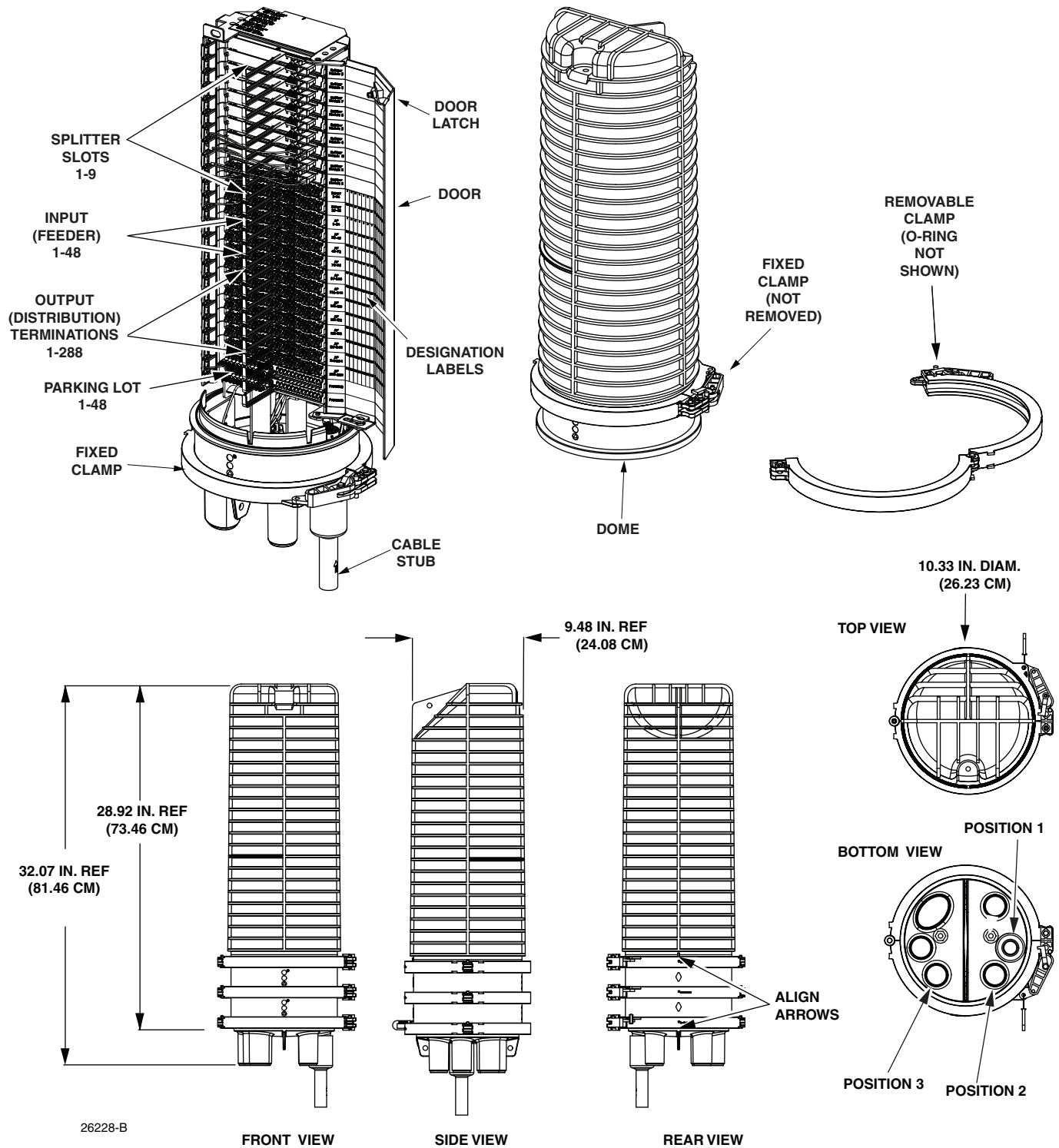


FIBER DISTRIBUTION HUB (FDH) 4000



26228-B

FRONT VIEW

SIDE VIEW

REAR VIEW

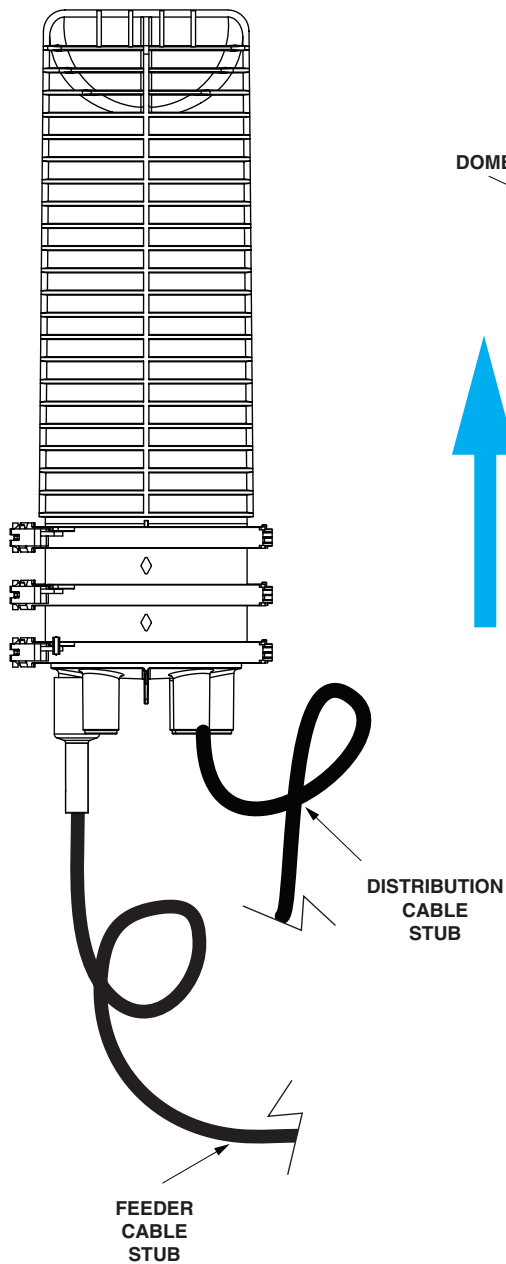
TOP VIEW

BOTTOM VIEW

POSITION 3 POSITION 2

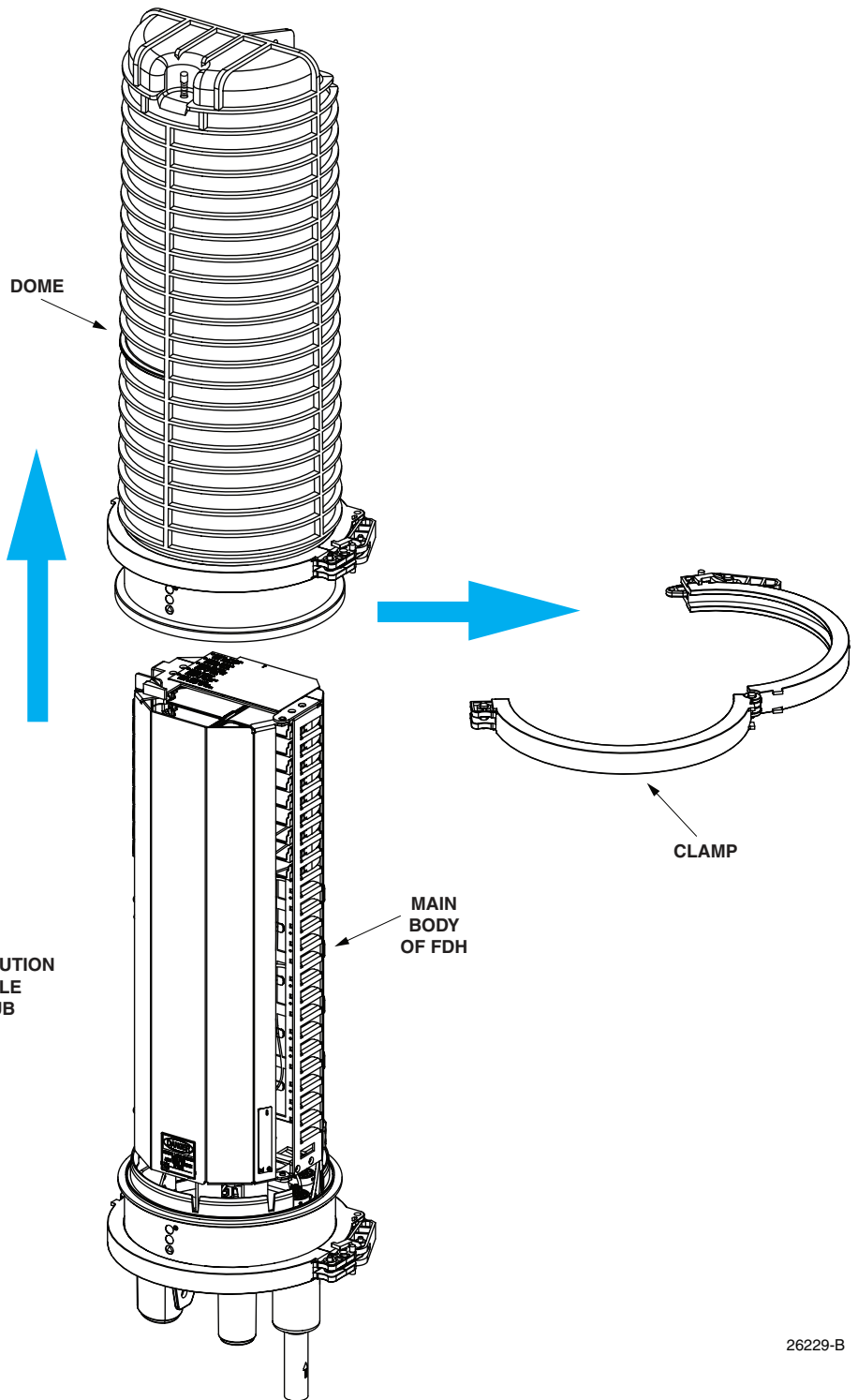
1

Route the feeder and distribution cable stubs to the splicing location. Splice the feeder cable stub fibers to the network feeder cable. Splice the distribution cable stub fibers to the network distribution cable.



2

Remove the dome. To release the dome, remove the center clamp and then lift the dome straight up from the base.



26229-B

3

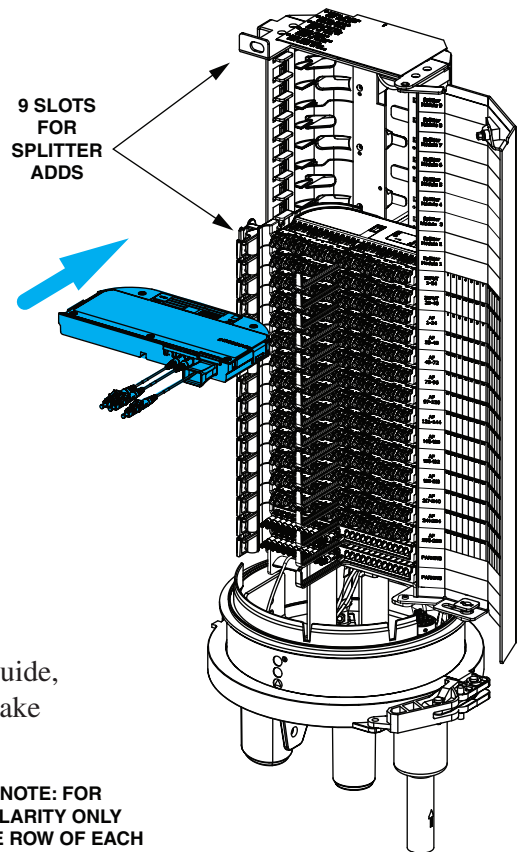
Align the splitter module with the designated slot. Push the splitter inward until the splitter module clicks into place. Repeat until all splitters required are installed.

4

Connect the input from the splitter module to the designated feeder (INPUT) port (see example in red color below). Route the splitter input directly to the left within the cable guide then around to the back of the FDH 4000, using the storage loops to take up slack. Continue connecting each splitter input.

5

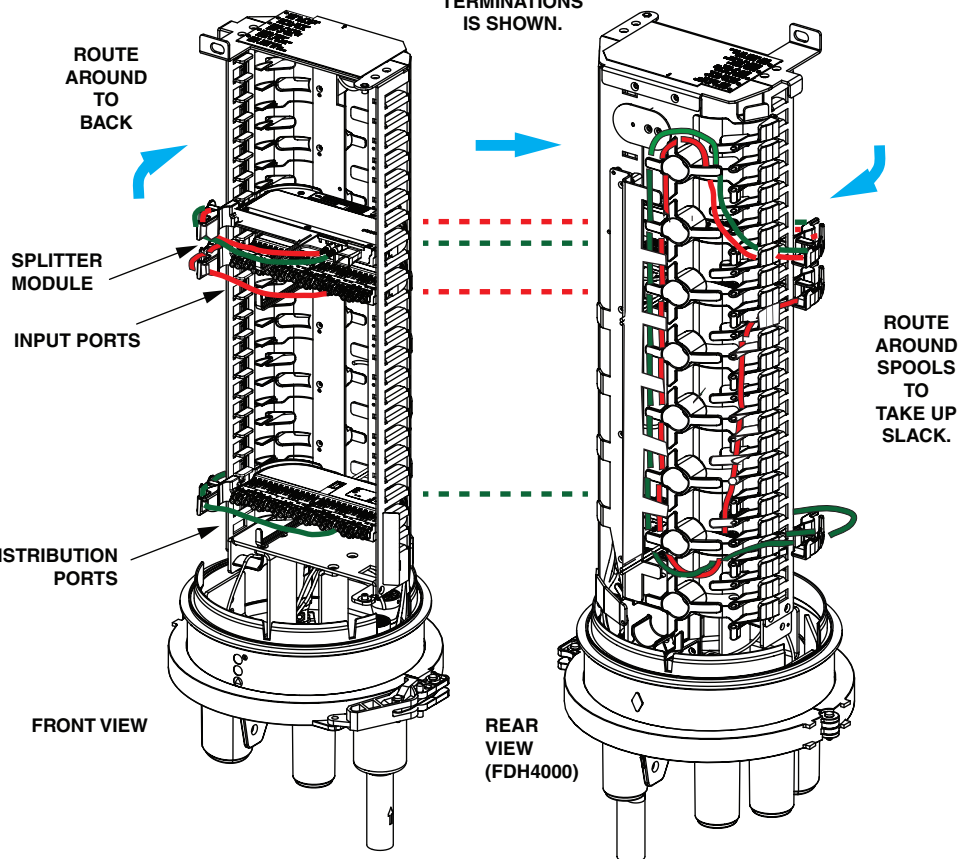
Connect the output from the splitter module to the designated distribution port (see example patch cord in green color below). Route the splitter output directly to the left within the cable guide, then around to the back of the FDH 4000, using the storage loops to take up slack. Continue connecting each splitter output.



Danger:

Infrared radiation is invisible and can seriously damage the retina of the eye. Do not look into the ends of any optical fiber. Do not look directly into the optical adapters of the adapter packs. Exposure to invisible laser radiation may result. A protective cap or hood MUST be immediately placed over any radiating adapter or optical fiber connector to avoid the potential of dangerous amounts of radiation exposure. This practice also prevents dirt particles from entering the connector and adapter.

NOTE: FOR CLARITY ONLY ONE ROW OF EACH TYPE OF TERMINATIONS IS SHOWN.

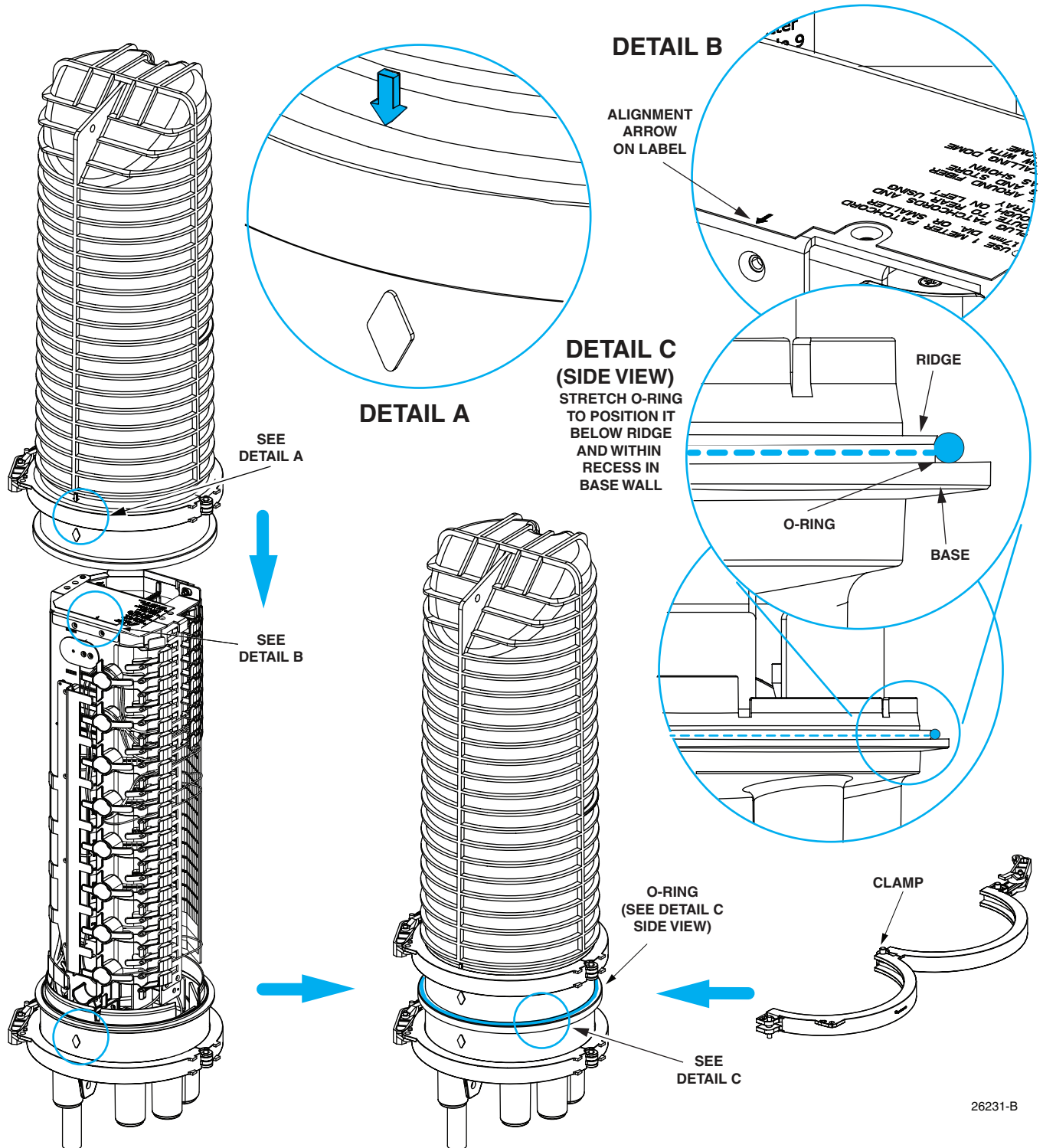


NOTE: ALWAYS CLEAN AND INSPECT CONNECTORS BEFORE MATING THEM. FOR CLEANING INSTRUCTIONS, REFER TO TECP-90-159.

IN MAKING EACH CONNECTION. PULL DUST CAP STRAIGHT OUT, CONNECT PATCH CORD TO TERMINATION PORT.

26230-B

- 6** When done with patching, re-install dome on FDH 4000. To do this, carefully align the arrow on the dome (detail A) with the arrow printed on the label located on the top surface of the FDH main body (detail B), then, in this same orientation, place the dome on the base as shown, aligning the arrows on the dome and base. Being careful not to displace the O-ring on the base (detail C), re-intall the clamp.



26231-B