

4

3

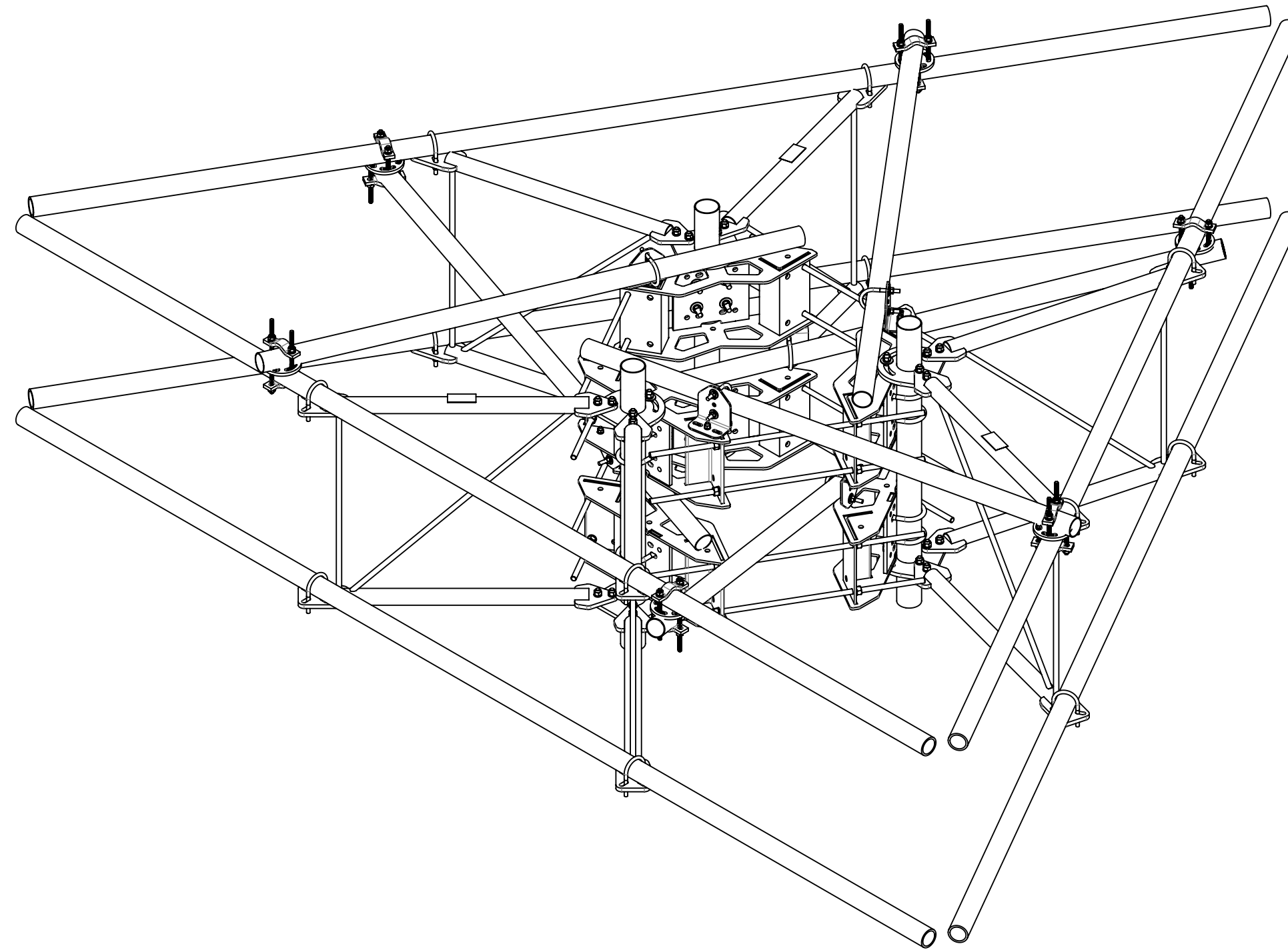
2

1

- 1.0 GENERAL NOTES
- 1.1 ALL METRIC DIMENSIONS ARE IN BRACKETS [X. X]
- 1.2 FOR PATENT INFO: <https://www.cs-pat.com>

- 2.0 DESIGN NOTES
- 2.1 ANY HAZARDS OR OBSTRUCTIONS TO THE CLIMBING FACILITY AND SAFETY CLIMB MUST BE IDENTIFIED PRIOR TO INSTALLING THE APPURTENANCE. ADDITIONAL PRODUCTS MAY BE REQUIRED TO MAINTAIN THE INTEGRITY OF THE SAFETY CLIMB. DURING INSTALLATION, TEMPORARY AND/OR PERMANENT PRECAUTIONARY MEASURES SHOULD BE TAKEN TO PRESERVE THE CLIMBING FACILITY AND/OR SAFETY CLIMB.
- 2.2 FITS MONOPOLES 30" TO 50" OD.
- 3.0 MANUFACTURING/SPECIAL REQUIREMENTS
- 3.1 TIGHTEN ALL BOLTS SECURING FLAT PLATES BY THE TURN-OF-NUT METHOD. TIGHTEN ALL U-BOLTS USING TURN-OF-NUT METHOD WITH ATTENTION TO LEAVE EQUAL DISTANCE AND EQUAL FORCE ON EACH LEG OF THE U-BOLT.
- 4.0 TEST
- 5.0 PACKAGING
- 5.1 PACKAGING SHALL MEET COMMSCOPE REQUIREMENTS PER DOCUMENT IS-PL-3005.
- 5.2 PRINTED DOCUMENT TO BE PLACED INSIDE POLYBAG AND THEN IN SHIPPING CONTAINER.
- 5.3 EXTRA HARDWARE MAY BE SUPPLIED, BAGGED AND SHIPPED.

REVISIONS			
REV.	DESCRIPTION	DATE	APPROVED
A	INITIAL RELEASE	JL1183 07MAY24	CB1094 40194988CMO



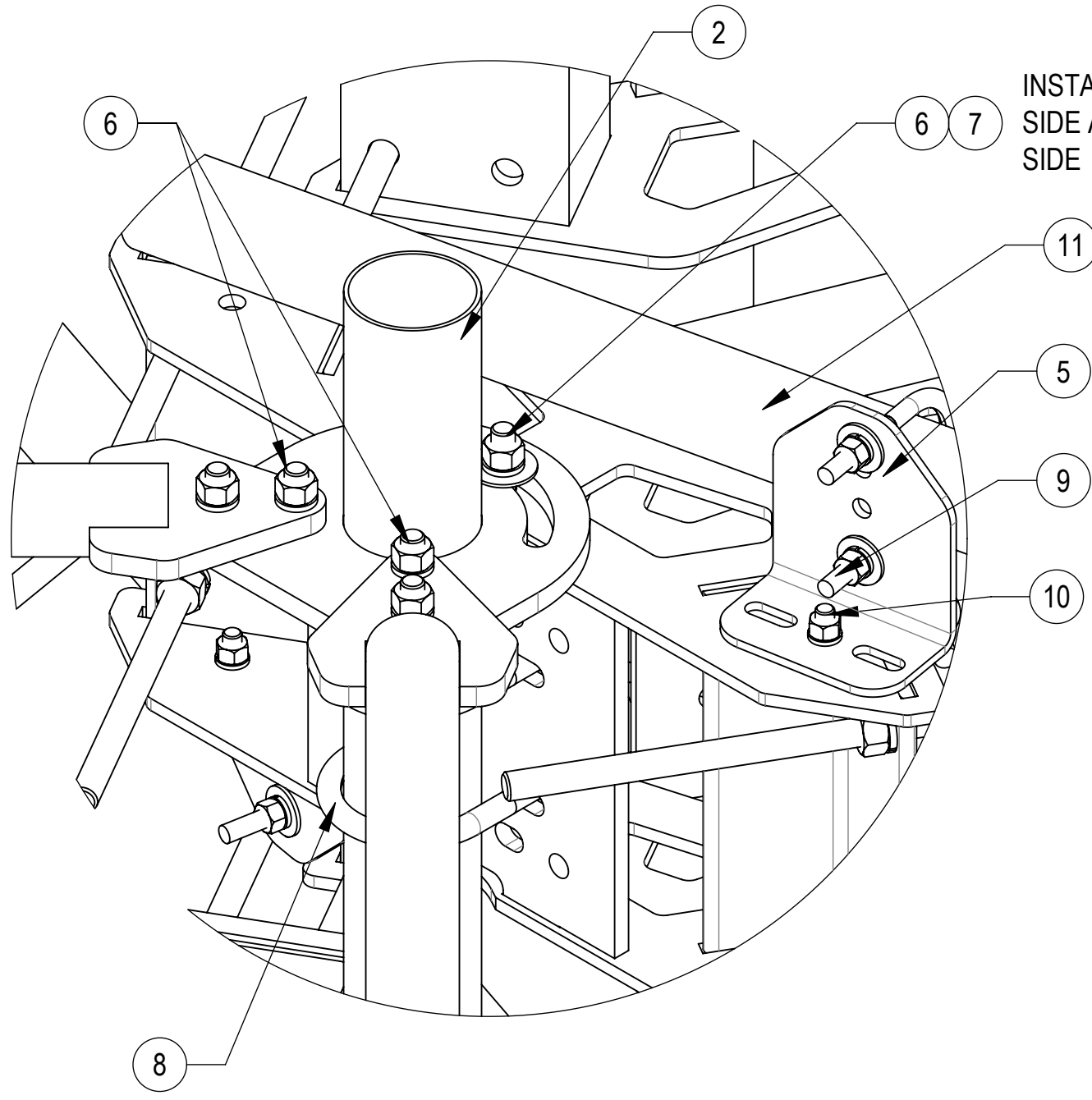
COMMSCOPE, INC. OF NORTH CAROLINA									
TOLERANCES					SAP MATERIAL MASTER				
0 PLACE X[X] ± 0.25[6.3]		2 PLACE .XX[X] ± 0.06[1.5]			MCG22HDX-15M-B				
1 PLACE X[X] ± 0.12[3.0]		ANGLES ± 2°							
FINISH					MATERIAL				
					MP,SF,15'FP,NOAP				
DENSITY		1761.16		lbs/in ³		SCALE: 1:18 DOCUMENT NO. MCG22HDX-15M-B			
MASS		15487.64		lbs					
VOLUME		89232.73		in ³					
SURFACE AREA		89232.73		in ²					
HEIGHT		48"		INSL		MODEL		DRAWING	
LENGTH		180"		Auth Group		VERSION		STATUS	
WIDTH		84"		C		00		RE	
						REVISION		REVISION	
						A		00	
						RE		A	
								1 OF 3	

4

3

2

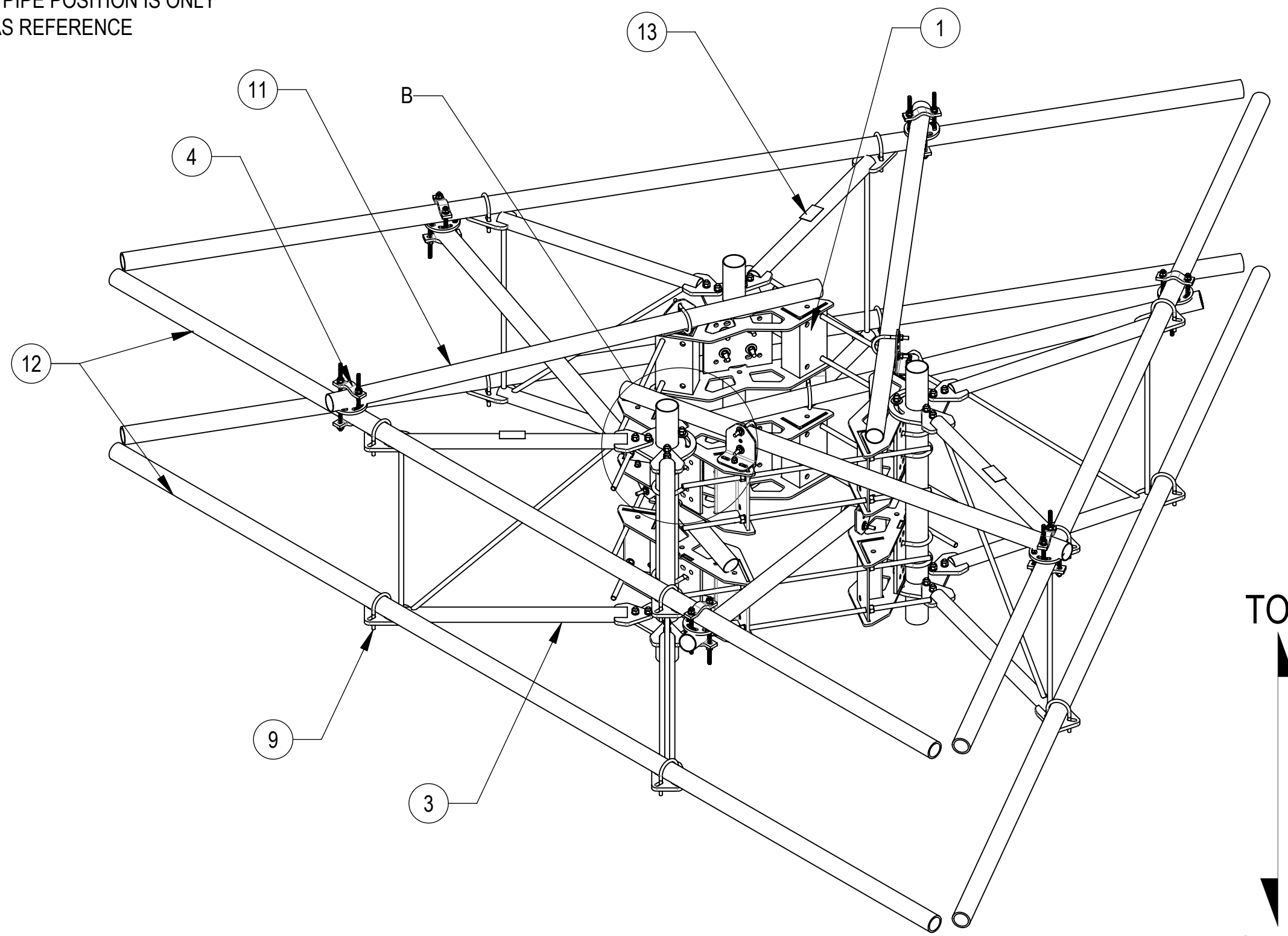
1



DETAIL B
SCALE 1 : 4

INSTALL FLAT WASHER ON NEAR SIDE AND LOCK WASHER ON FAR SIDE

11 TIE BACK PIPE POSITION IS ONLY SHOWN AS REFERENCE



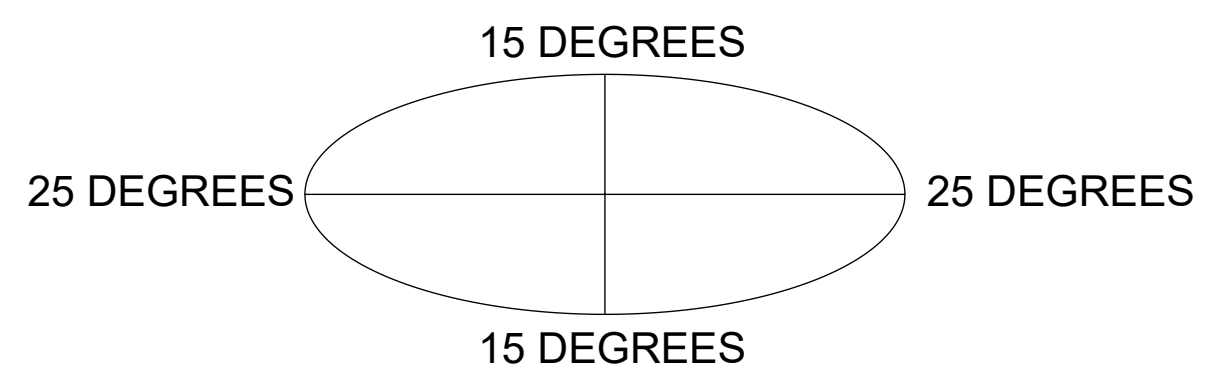
TOP
↓
BOTTOM

COMPONENT PART NUMBERS PROVIDED FOR ASSEMBLY PURPOSES;
INDIVIDUAL COMPONENTS MAY BE SHIPPED AS PARTS WITHIN AN INCLUDED KIT.

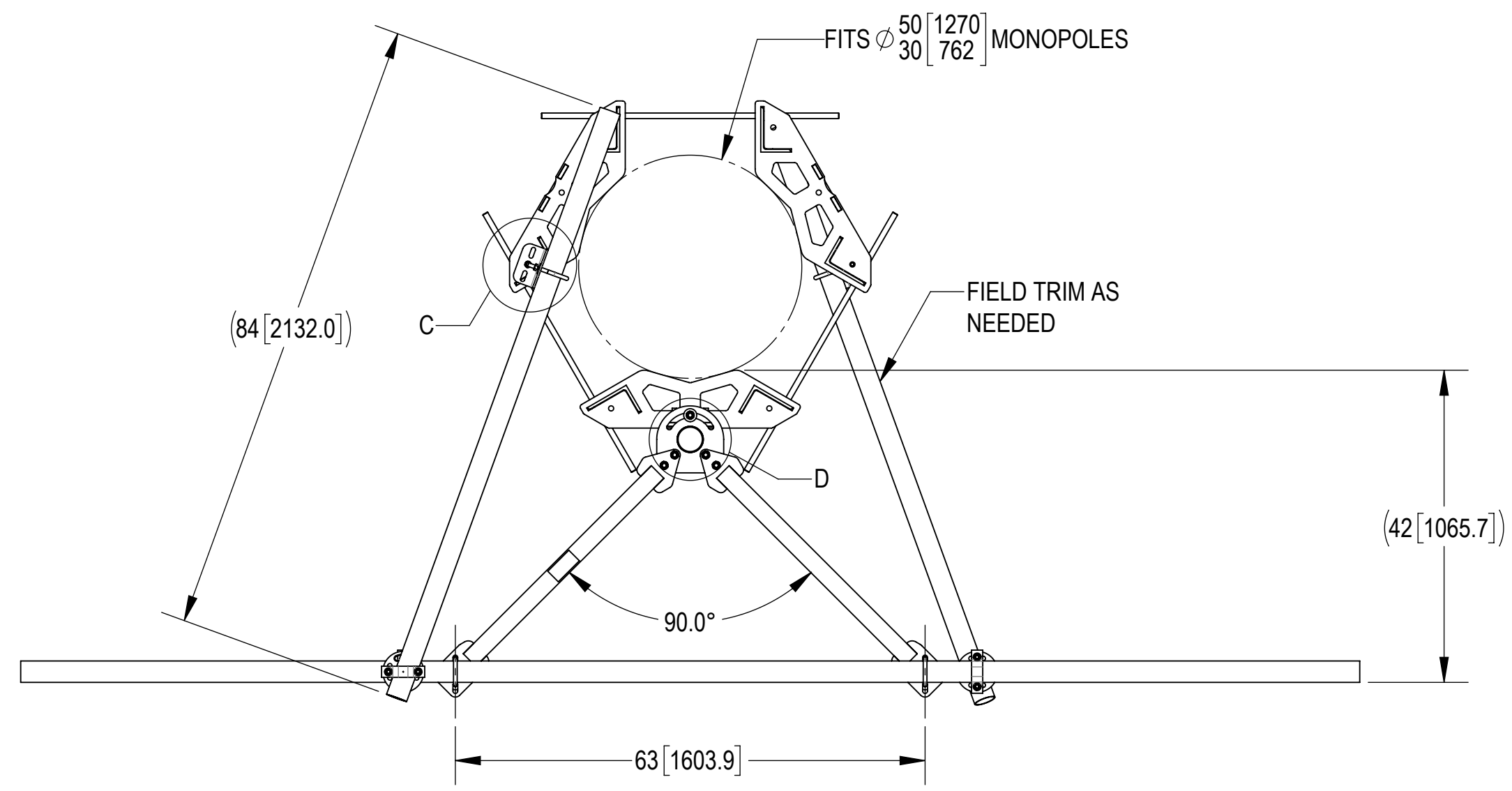
ITEM	PART NO.	DESCRIPTION	QTY.	WEIGHT	NOTE NO.
1	MC-RM1550-3	15" - 50" OD RINGMOUNT	2	229.90 LBS	
2	SFG2270	BACK VERTICAL ARM MOUNT	3	36.96 LBS	
3	SFG2278	ARM, STANDOFF - SFG22	6	40.92 LBS	
4	XP-R	CROSSOVER PLATE, ROUND, UP TO 3.5" OD	6	6.20 LBS	
5	XAU01	ANGLE, CROSSOVER, 1.9-3.5" X 1.9-3.5" OD	6	2.98 LBS	
6	GB-05225	5/8" X 2-1/4" GALV BOLT KIT	30	0.28 LBS	
7	GWF-05	5/8" GALV FLAT WASHER, 1.7OD	6	0.06 LBS	
8	GUB-53560	5/8" X 3-5/8" X 6" GALV U-BOLT	12	1.30 LBS	
9	GUB-4352	1/2" X 3" X 5-1/4" GALV U-BOLT	18	0.71 LBS	
10	GB-04145	1/2" X 1-1/2" GALV BOLT KIT	6	0.13 LBS	
11	MT546084120	2.88" OD X 84" LONG PIPE	6	24.81 LBS	
12	MT546180276	PIPE, 2.875"OD X 180"	6	115.33 LBS	
13	SFG2255	LABEL, SFG22HDX	3	0.04 LBS	

ALLOWABLE TIEBACK ANGLE

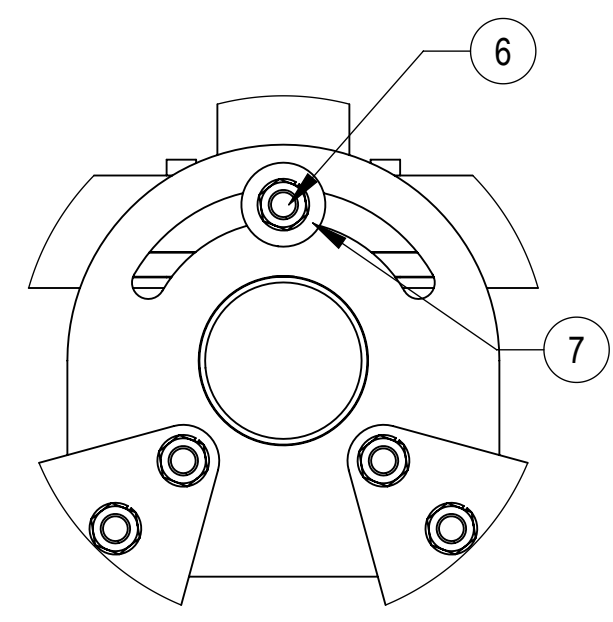
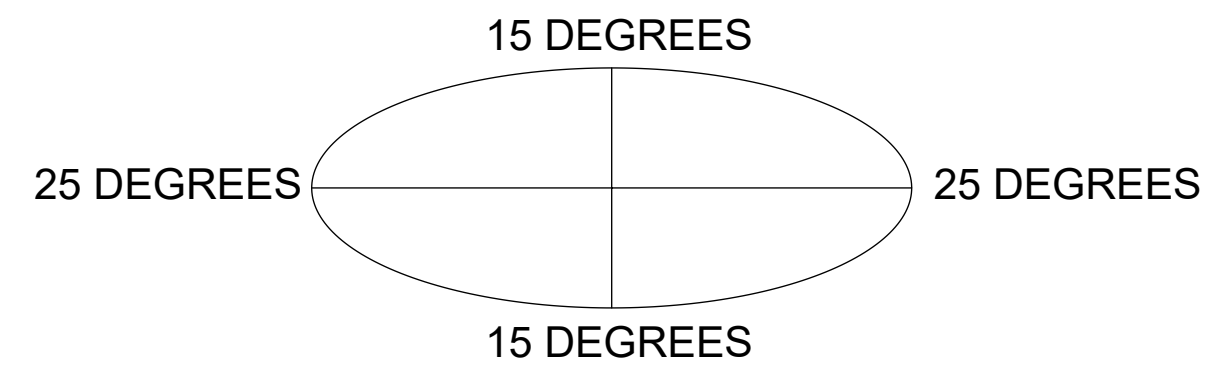
±15 DEGREES VERTICAL
±25 DEGREES HORIZONTAL



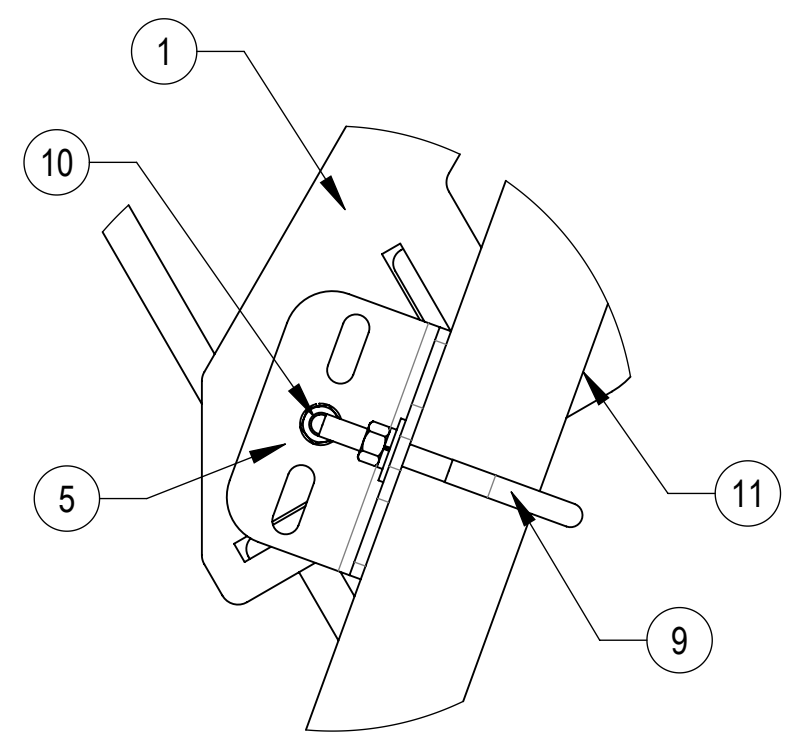
COMMSCOPE, INC. OF NORTH CAROLINA				
TITLE MP,SF,15'FP,NOAP				
SIZE C	SCALE 1:18	DOCUMENT NO. MCG22HDX-15M-B		
DRAWING		VERSION	STATUS	REVISION
		00	RE	A
				SHEET 2 OF 3



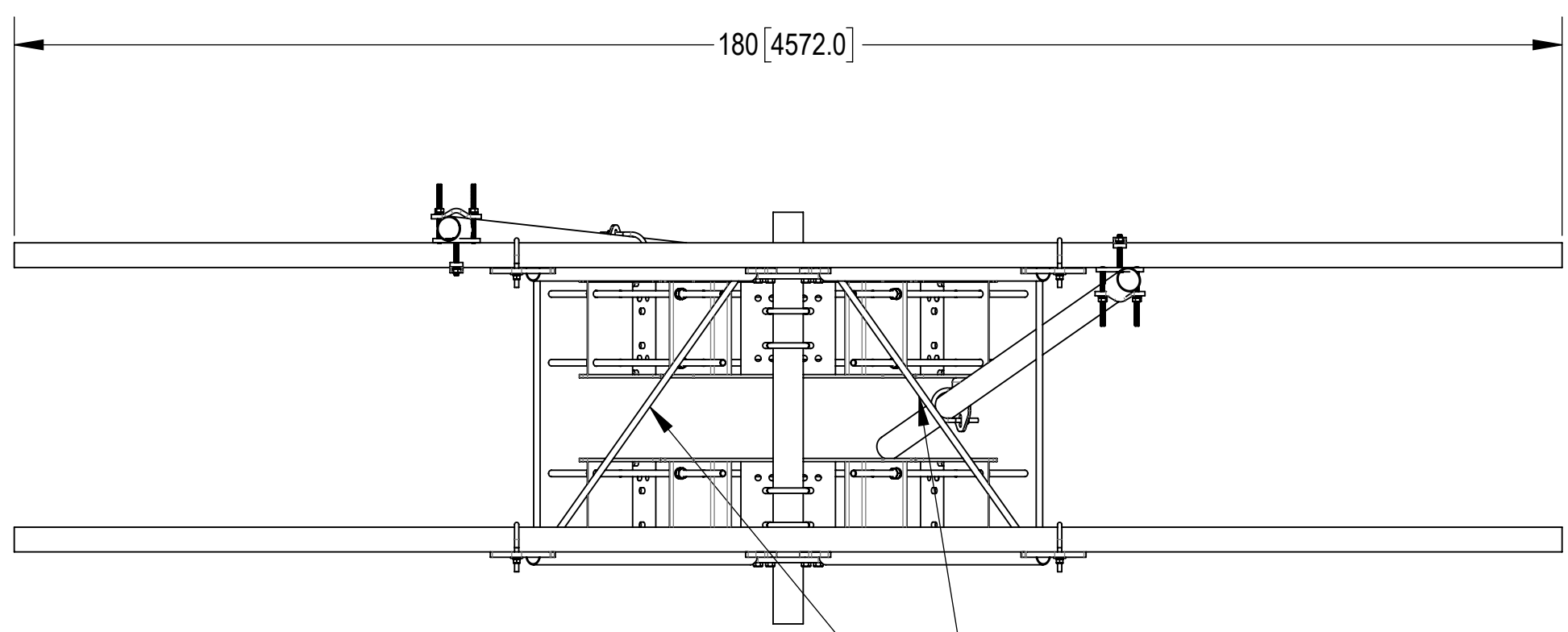
ALLOWABLE TIEBACK ANGLE
 ± 15 DEGREES VERTICAL
 ± 25 DEGREES HORIZONTAL



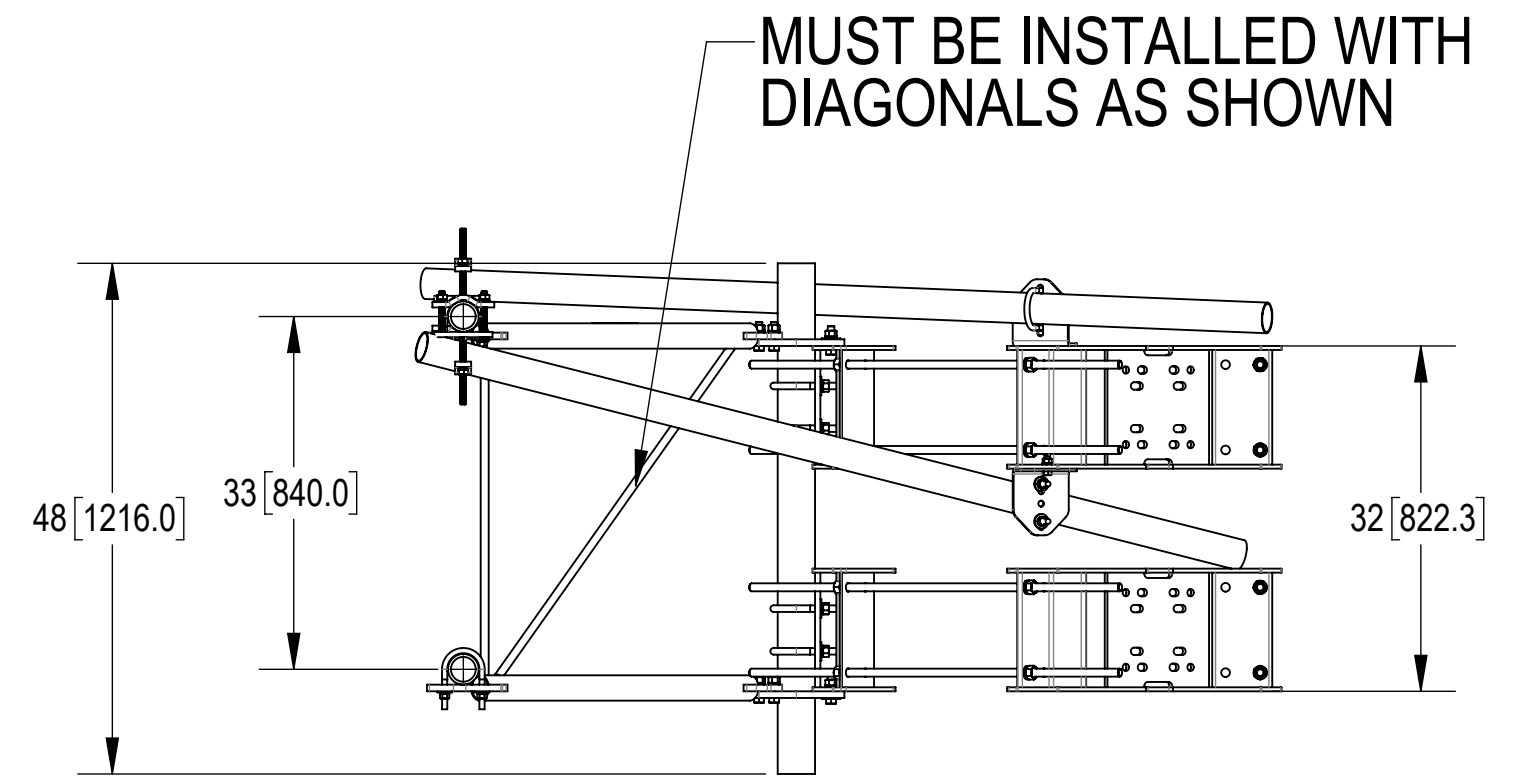
DETAIL D
 SCALE 1 : 4



DETAIL C
 SCALE 1 : 4



TOP
 BOTTOM



SOME ITEMS OMITTED FOR CLARITY

COMMSCOPE, INC. OF NORTH CAROLINA				
TITLE MP,SF,15'FP,NOAP				
SIZE C	SCALE 1:18	DOCUMENT NO. MCG22HDX-15M-B		
		DRAWING		SHEET
		VERSION	STATUS	REVISION
		00	RE	A
				3 OF 3