

Waveguide Bridge Corner Filler, 45°

## Product Classification

**Product Type** Waveguide bridge kit

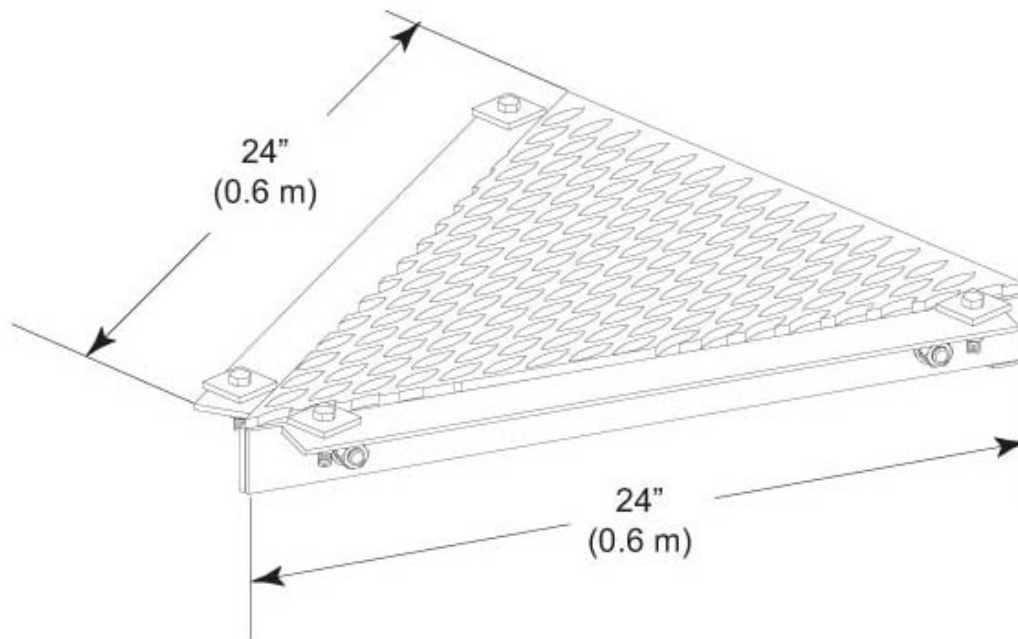
## Dimensions

**Height** 76.2 mm | 3.0 in  
**Length** 609.6 mm | 24.0 in  
**Weight** 14.5 kg | 32.0 lb

## General Specifications

**Application** Waveguide bridge kit, 24 in  
**Includes** Corner modules | Mounting hardware  
**Material Type** Hot dip galvanized steel  
**Mounting** Waveguide bridge kit  
**Package Quantity** 1

## Outline Drawing



## Regulatory Compliance/Certifications

**Agency**

ISO 9001:2015

**Classification**

Designed, manufactured and/or distributed under this quality management system

