

Base Shoe for 3-1/2 in OD pipe, hardware included

## Product Classification

**Product Type** Shoe

## Dimensions

**Height** 152.4 mm | 6.0 in

**Length** 203.2 mm | 8.0 in

**Weight** 8.7 kg | 19.2 lb

## General Specifications

**Application** Base shoe

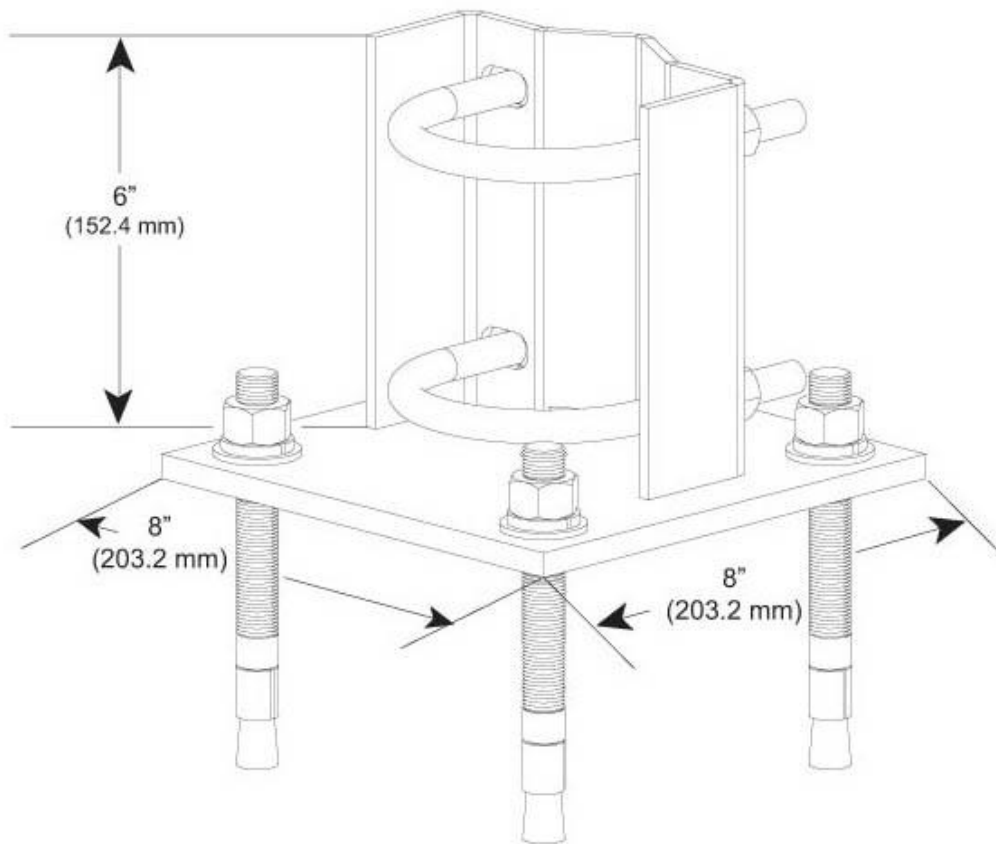
**Includes** Hardware | Mount

**Material Type** Hot dip galvanized steel

**Mounting** Pipe, 88.9 mm (3-1/2 in) OD

**Package Quantity** 1

## Outline Drawing



## Regulatory Compliance/Certifications

**Agency**

ISO 9001:2015

**Classification**

Designed, manufactured and/or distributed under this quality management system



## Included Products

MT-280 — Wedge Anchor, 5/8 in x 6 in