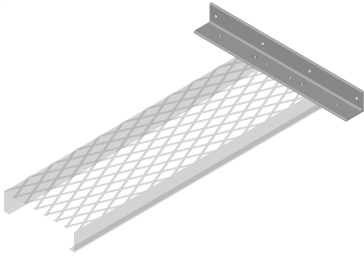


# MF-511

---



Wall Support Angle, single or double

## Product Classification

**Product Type** Wall mount kit

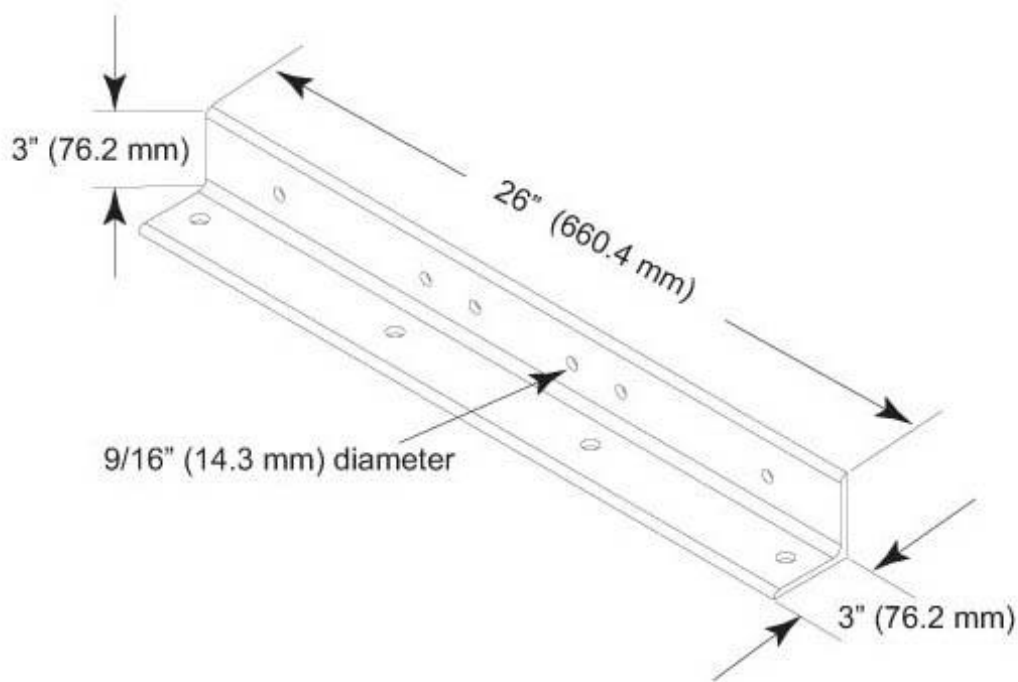
## Dimensions

**Height** 76.2 mm | 3.0 in  
**Length** 660.4 mm | 26.0 in  
**Weight** 5.0 kg | 11.0 lb

## General Specifications

**Application** Wall mount  
**Includes** Angle brackets  
**Material Type** Hot dip galvanized steel  
**Mounting** All bridge channel types  
**Package Quantity** 1

## Outline Drawing



## Regulatory Compliance/Certifications

**Agency**

ISO 9001:2015

**Classification**

Designed, manufactured and/or distributed under this quality management system

