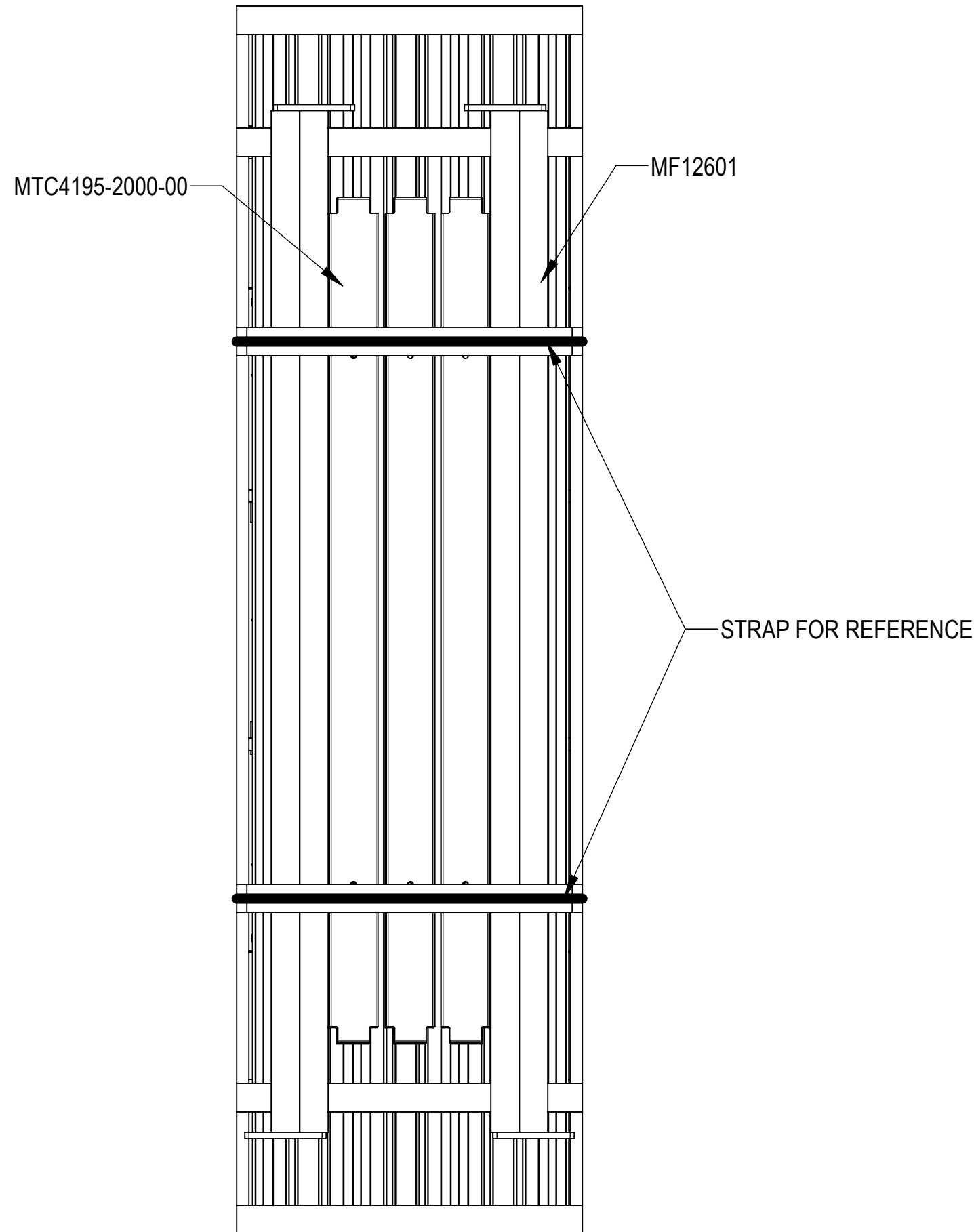
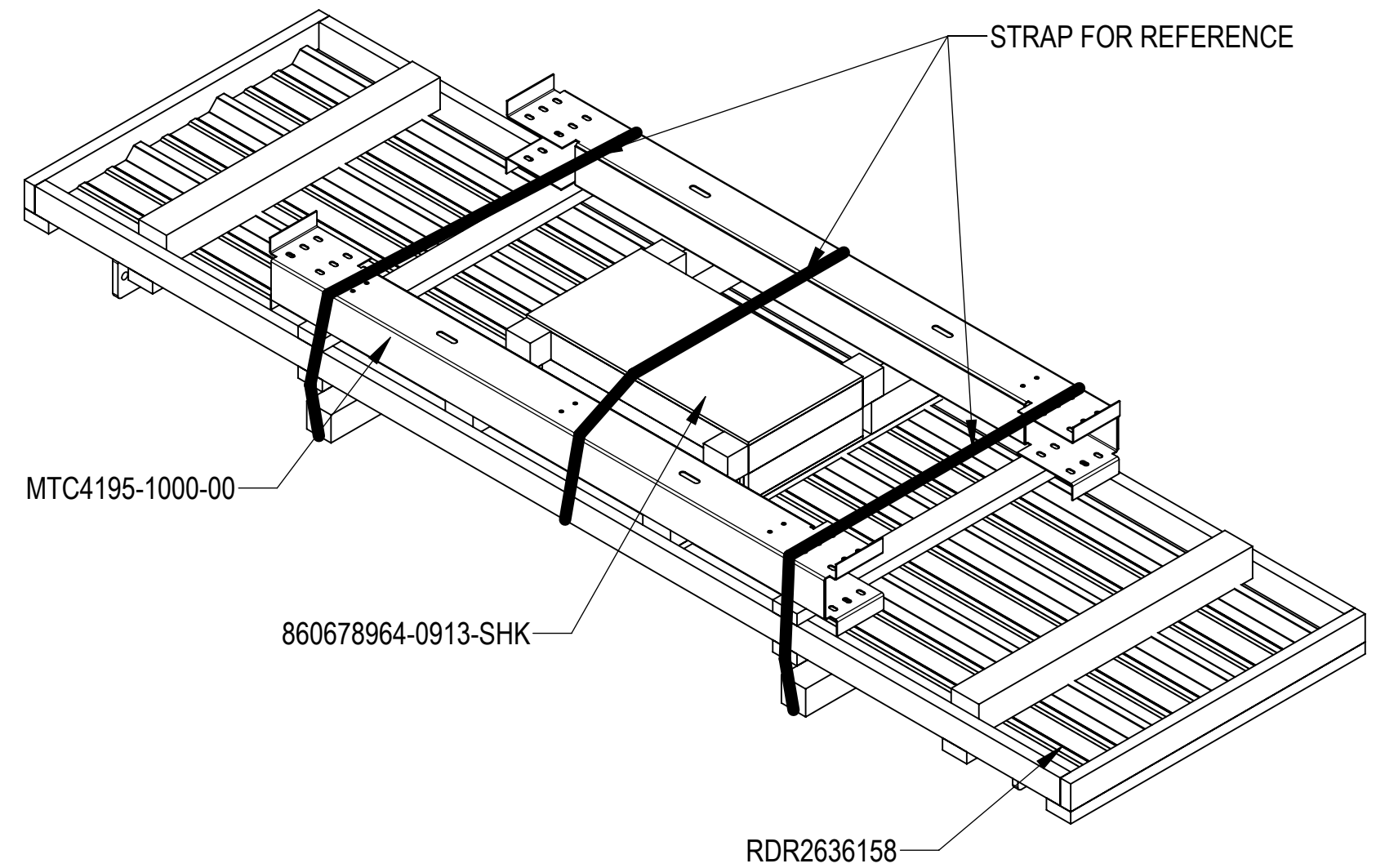


- 1.0 GENERAL NOTES
 - 1.1 ALL METRIC DIMENSIONS ARE IN BRACKETS [X. X]
 - 1.2 FOR PATENT INFO: <https://www.cs-pat.com>
- 2.0 DESIGN NOTES
 - 2.1 ANY HAZARDS OR OBSTRUCTIONS TO THE CLIMBING FACILITY AND SAFETY CLIMB MUST BE IDENTIFIED PRIOR TO INSTALLING THE APPURTENANCE. ADDITIONAL PRODUCTS MAY BE REQUIRED TO MAINTAIN THE INTEGRITY OF THE SAFETY CLIMB. DURING INSTALLATION, TEMPORARY AND/OR PERMANENT PRECAUTIONARY MEASURES SHOULD BE TAKEN TO PRESERVE THE CLIMBING FACILITY AND/OR SAFETY CLIMB.
- 3.0 MANUFACTURING/SPECIAL REQUIREMENTS
 - 3.1 TIGHTEN ALL BOLTS SECURING FLAT PLATES BY THE TURN-OF-NUT METHOD. TIGHTEN ALL U-BOLTS USING TURN-OF-NUT METHOD WITH ATTENTION TO LEAVE EQUAL DISTANCE AND EQUAL FORCE ON EACH LEG OF THE U-BOLT.
- 4.0 TEST
- 5.0 PACKAGING
 - 5.1 PACKAGING SHALL MEET COMMSCOPE REQUIREMENTS PER DOCUMENT IS-PL-3005
 - 5.2 PRINTED DOCUMENT TO BE PLACED INSIDE POLYBAG AND THEN IN SHIPPING CONTAINER
 - 5.3 EXTRA HARDWARE MAY BE SUPPLIED, BAGGED AND SHIPPED

REVISIONS			
REV.	DESCRIPTION	DATE	APPROVED
A	INITIAL RELEASE		



BOTTOM VIEW



PACKAGE

COMMSCOPE, INC. OF NORTH CAROLINA										
TOLERANCES					SAP MATERIAL MASTER					
1 PLACE .X[X] ± 0.2[6.3]			3 PLACE .XXX[X] ± 0.060[1.5]			860678964-0913-S				
2 PLACE .XX[X] ± 0.12[3.0]			ANGLES ± 2°							
FINISH					MATERIAL					
9'X13' RAIN CANOPY, 10'-6"-BASE SHOE										
DENSITY		880.25		lbs/in ³		SCALE		DOCUMENT NO.		
MASS		3099.69		lbs		1:16		860678964-0913-S		
VOLUME		81783.49		in ³						
SURFACE AREA				in ²						
HEIGHT										
LENGTH										
WIDTH										
<small>UNLESS OTHERWISE SPECIFIED DIMENSIONS ARE IN INCHES INTERPRET PER ANSI Y 14.5M-1994</small>			NAME		DATE		TITLE			
			CE YMENG		24APR24					
RW YMENG		04/08/2024								
AD YMENG		02/08/2024								
RE YMENG		02/08/2024								
ECN 40191985CMO			Auth Group		INSL		MODEL			
C					VERSION		STATUS		DRAWING	
					00		RW		VERSION	
		00		RW						
								SHEET		
								1 OF 5		

4

3

2

1

D

D

C

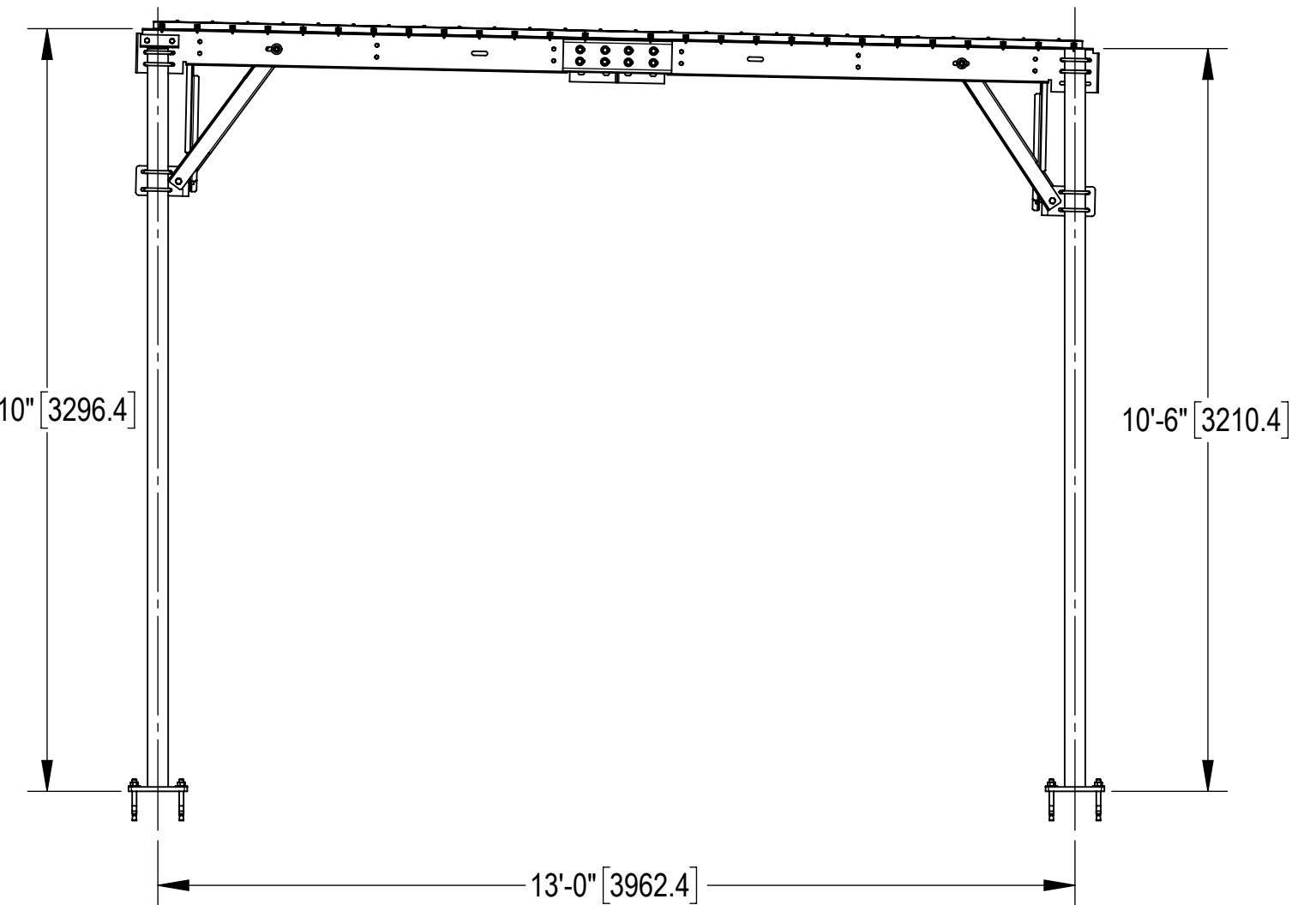
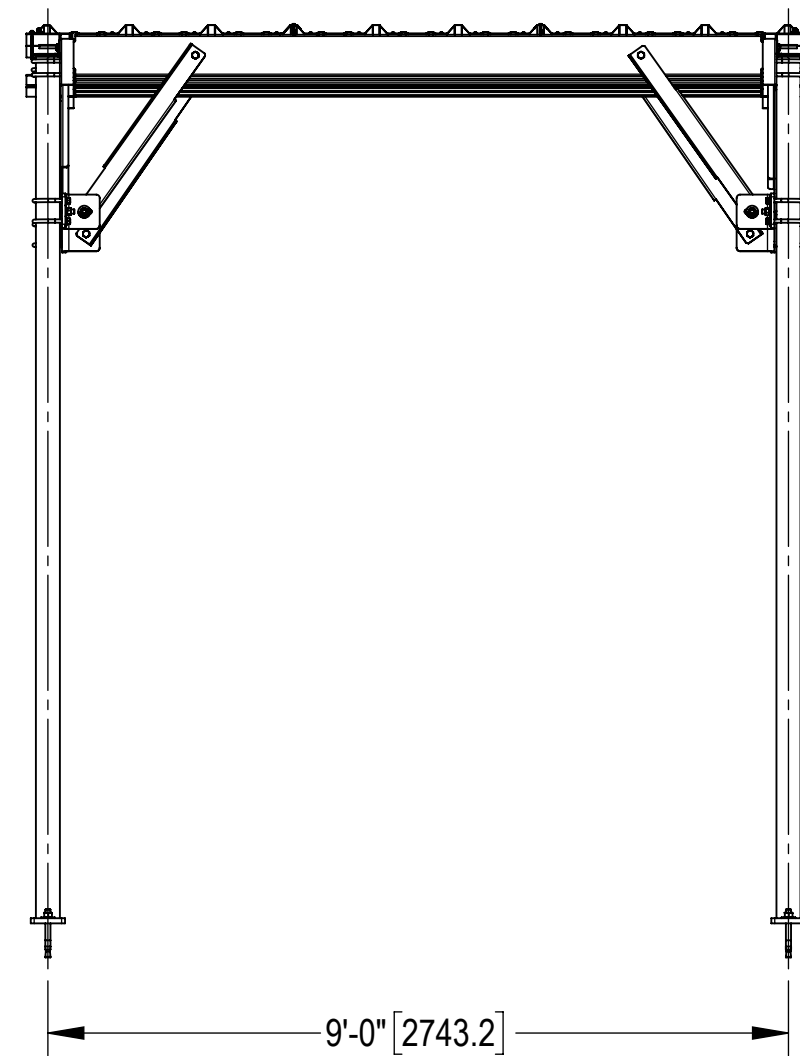
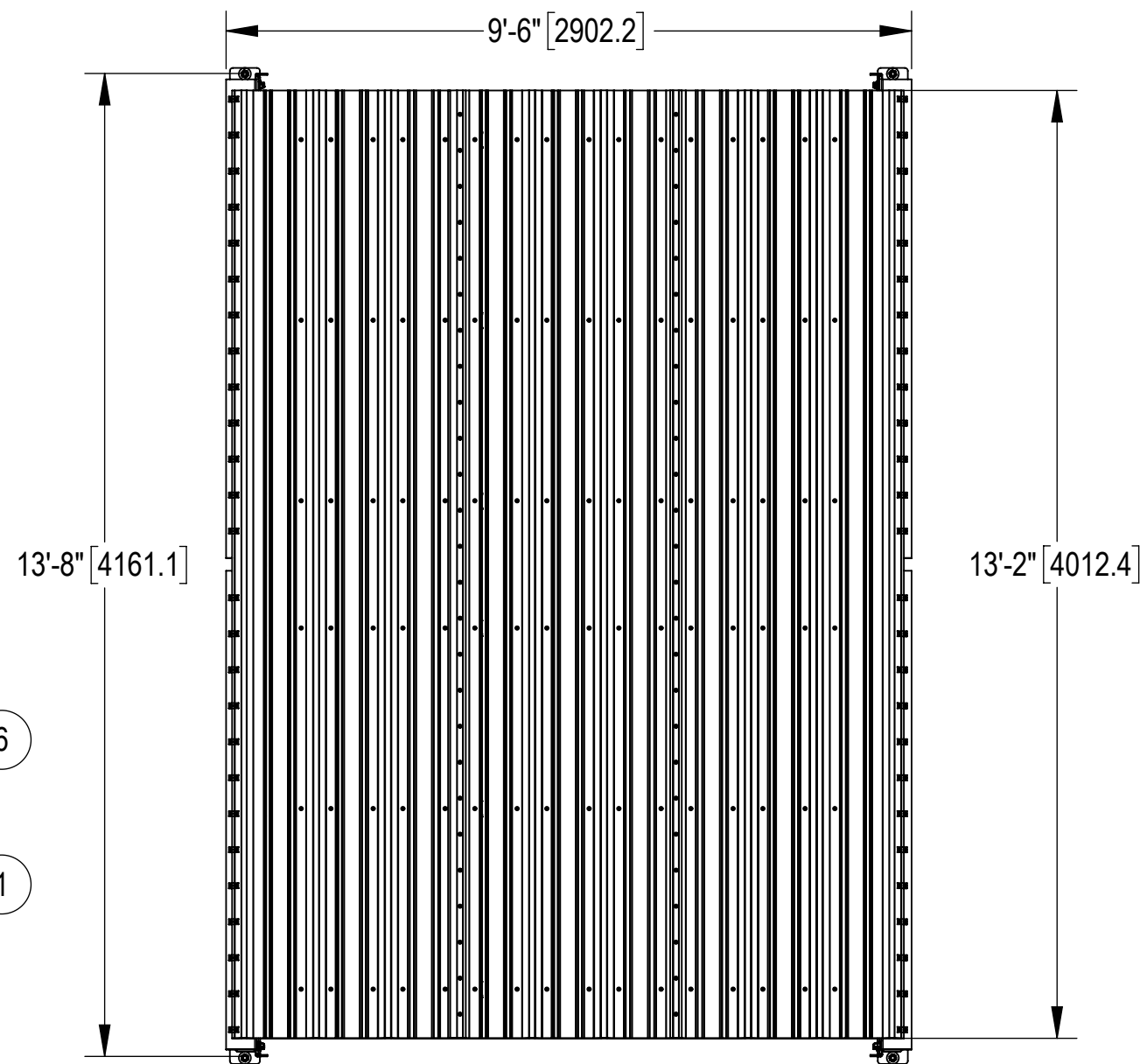
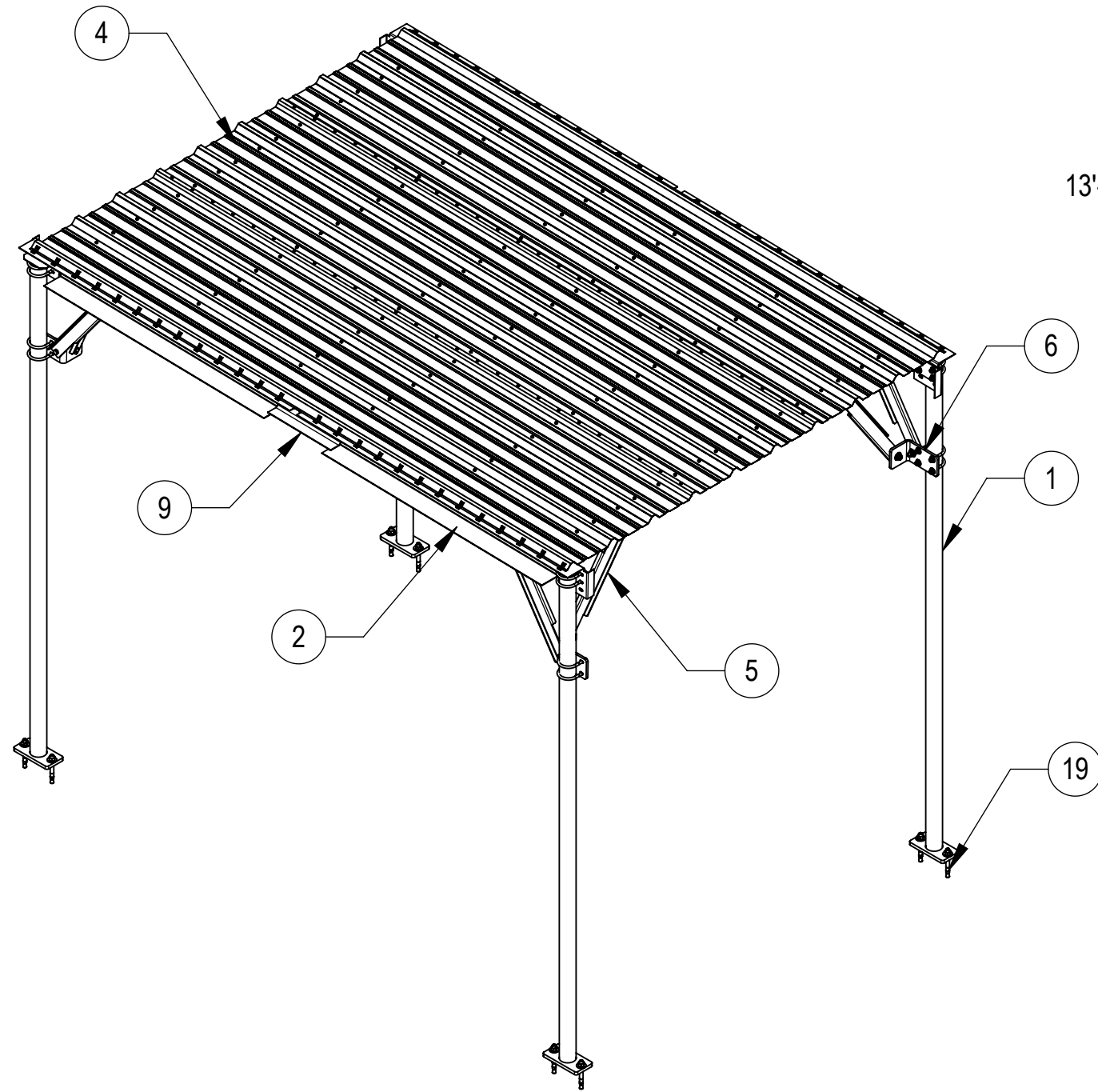
C

B

B

A

A



COMPONENT PART NUMBERS PROVIDED FOR ASSEMBLY PURPOSES;
INDIVIDUAL COMPONENTS MAY BE SHIPPED AS PARTS WITHIN AN INCLUDED KIT.

ITEM	PART NO.	DESCRIPTION	QTY.	WEIGHT	NOTE NO.
1	MF12601	BASE SHOE WELDMENT, 10' 6"	4	53.81 LBS	
2	MTC4195-1000-00	OUTER CHANNEL, ROOF SUPPORT	4	41.51 LBS	
3	MTC4195-2000-00	CANOPY CENTER CHANNEL	6	37.01 LBS	
4	RDR2636158	ROOF DECKING PBR 26 GA 36" X 158"	3	39.04 LBS	
5	MTC4130-3000-00	CANOPY BRACE	8	6.52 LBS	
6	MTC4130-4000-00	CANOPY BRACE ADAPTER	4	9.16 LBS	
7	MTC4130-5000-00	PLATE, 7" X 5"	4	2.76 LBS	
8	MTC4130-6000-00	HEIGHT ADJUSTMENT BRACKET	2	1.26 LBS	
9	MTC4130-9000-00	OUTER CONNECTION CHANNEL	2	6.71 LBS	
10	GUB-4355	1/2" X 3-5/8" X 5" GALV U-BOLT	16	0.71 LBS	
11	GB-04145	1/2" X 1-1/2" GALV BOLT KIT	20	0.13 LBS	
12	GB-03105	3/8" X 1" GALV BOLT KIT	24	0.05 LBS	
13	GB-05205FT	5/8" X 2" GALV BOLT KIT	16	0.26 LBS	
14	GWF-04	1/2" GALV FLAT WASHER	36	0.04 LBS	
15	GWF-05	5/8" GALV FLAT WASHER, 1.7OD	12	0.06 LBS	
16	MTC3799C26	CLIP, RDR PANEL	52	0.05 LBS	
17	MTC371531	1/4-14X7/8 SELF DRILLING HEX HEAD SCREW	104	0.02 LBS	
18	TS1275	TEK SCREW #12 X 3/4, WITH NEOPRENE WASHER	148	0.02 LBS	
19	MT-287	3/4" ANCHOR BOLT	8	1.08 LBS	

COMMSCOPE, INC. OF NORTH CAROLINA			
TITLE 9'X13' RAIN CANOPY, 10'-6"-BASE SHOE			
SIZE C	SCALE 1:32	DOCUMENT NO. 860678964-0913-S	
DRAWING		VERSION	STATUS
		00	RW
SHEET 2 OF 5			REVISION

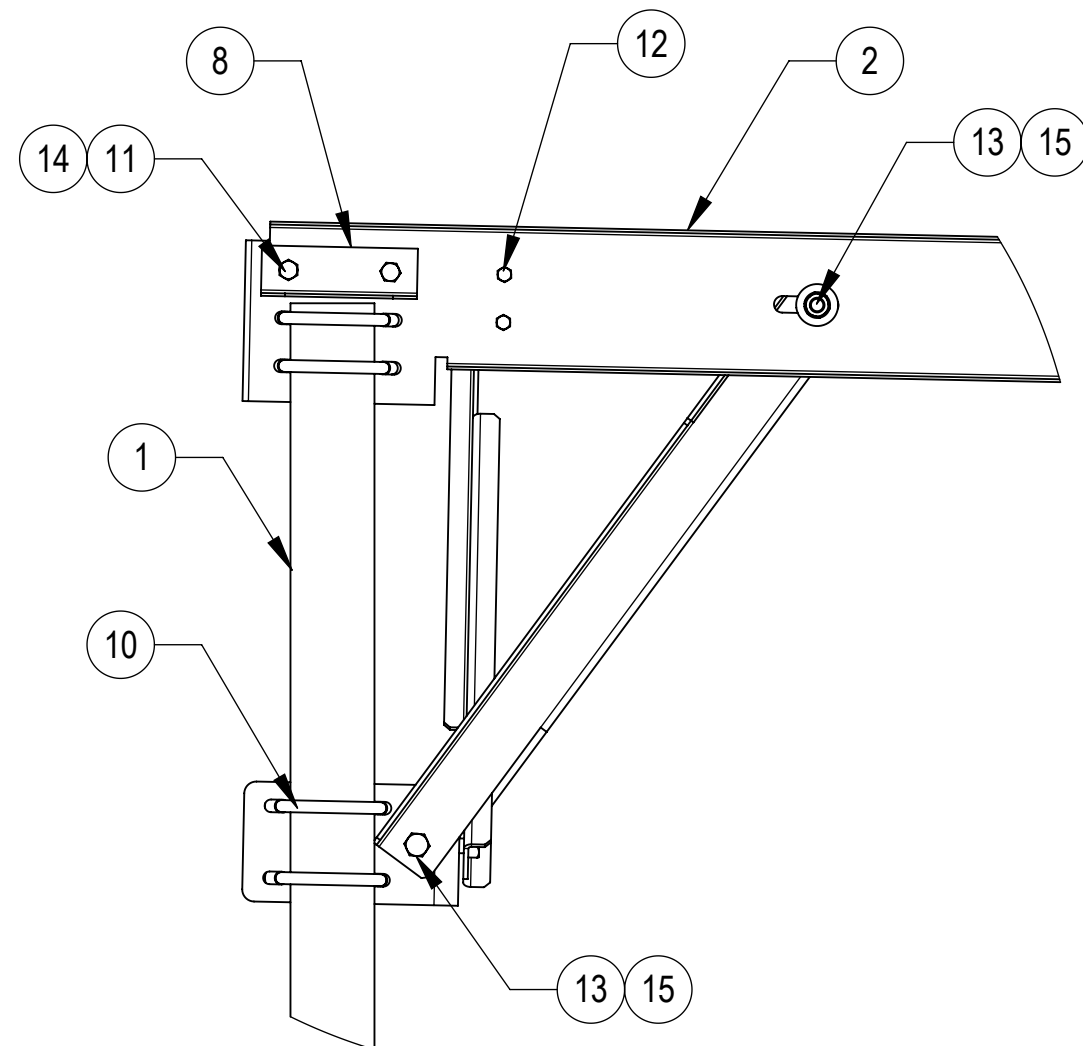
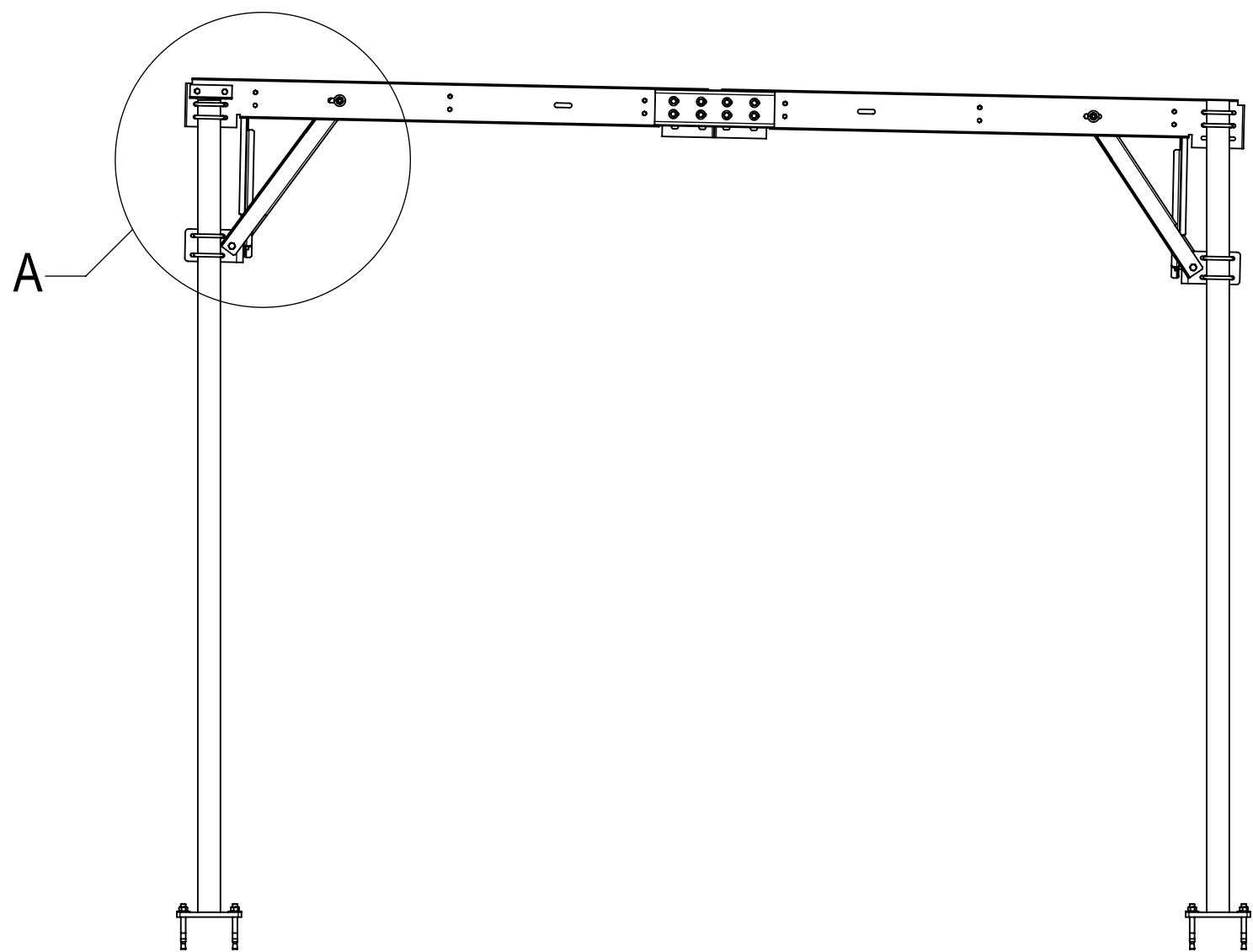
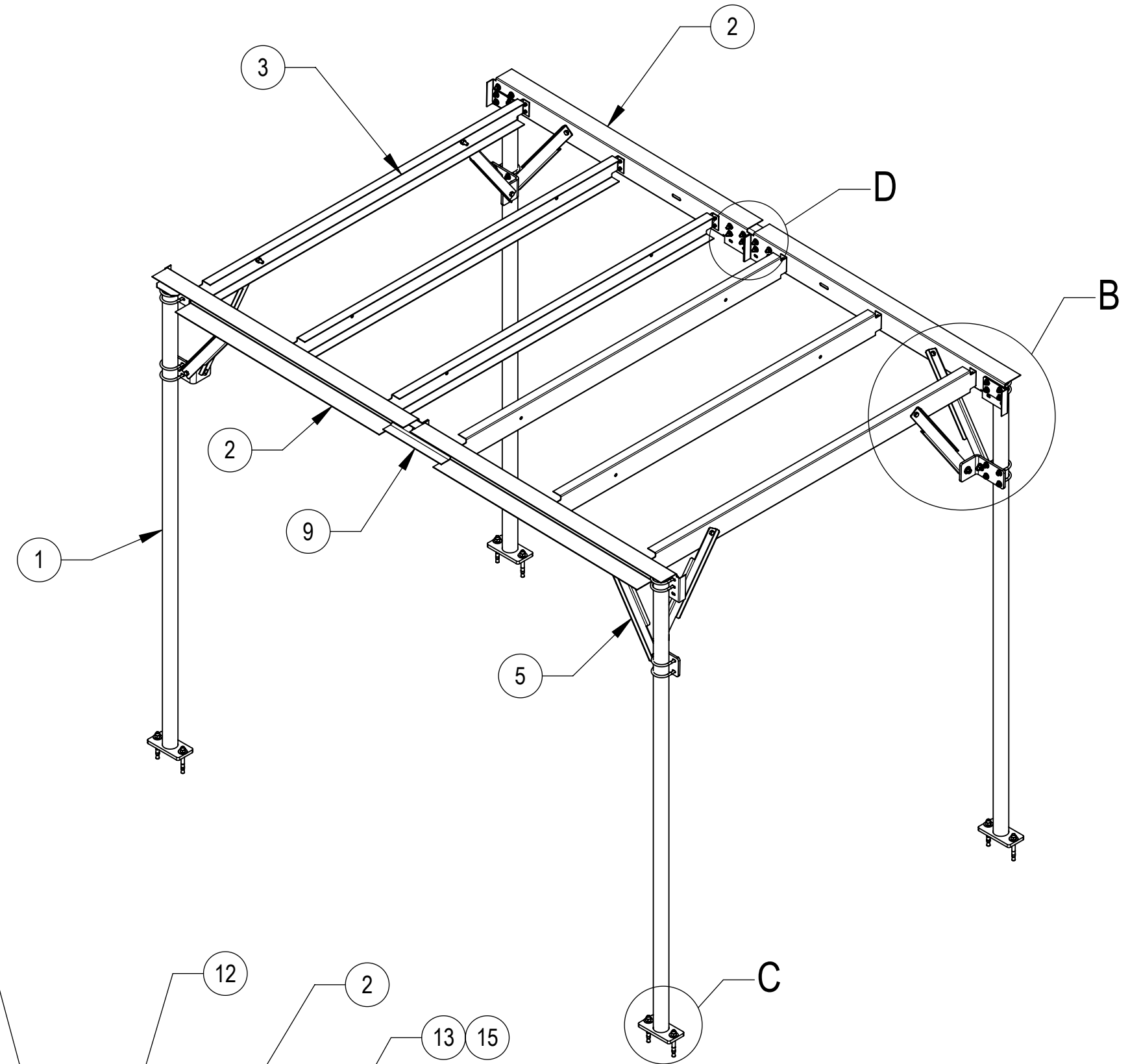
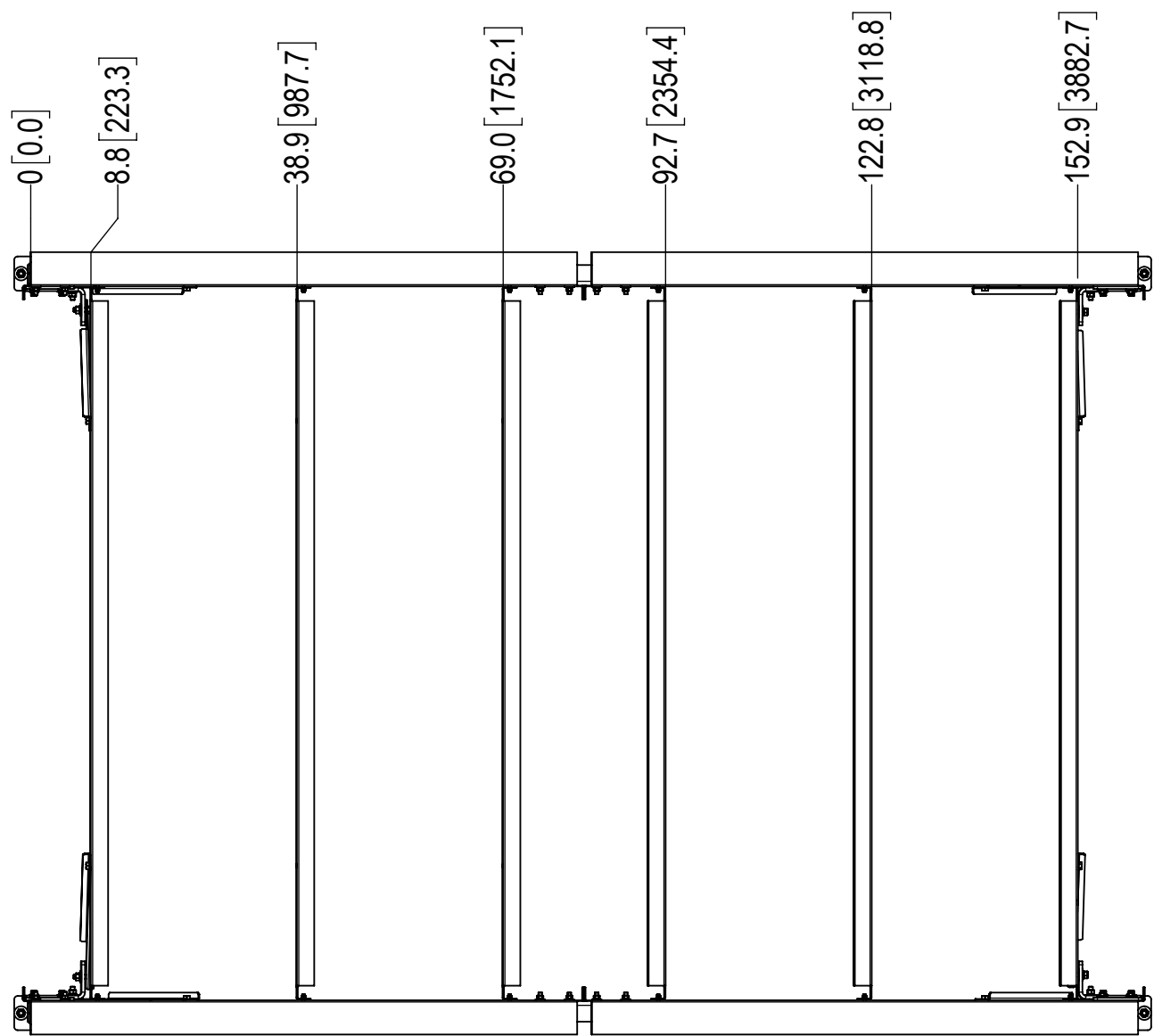
4

3

2

1





DETAIL A
SCALE 1 : 8

HIDE ROOF DECKING FOR CLARITY

COMMScope, INC. OF NORTH CAROLINA			
TITLE 9'X13' RAIN CANOPY, 10'-6"-BASE SHOE			
SIZE C	SCALE 1:32	DOCUMENT NO. 860678964-0913-S	
DRAWING			SHEET
VERSION	STATUS	REVISION	3 OF 5
00	RW		

4

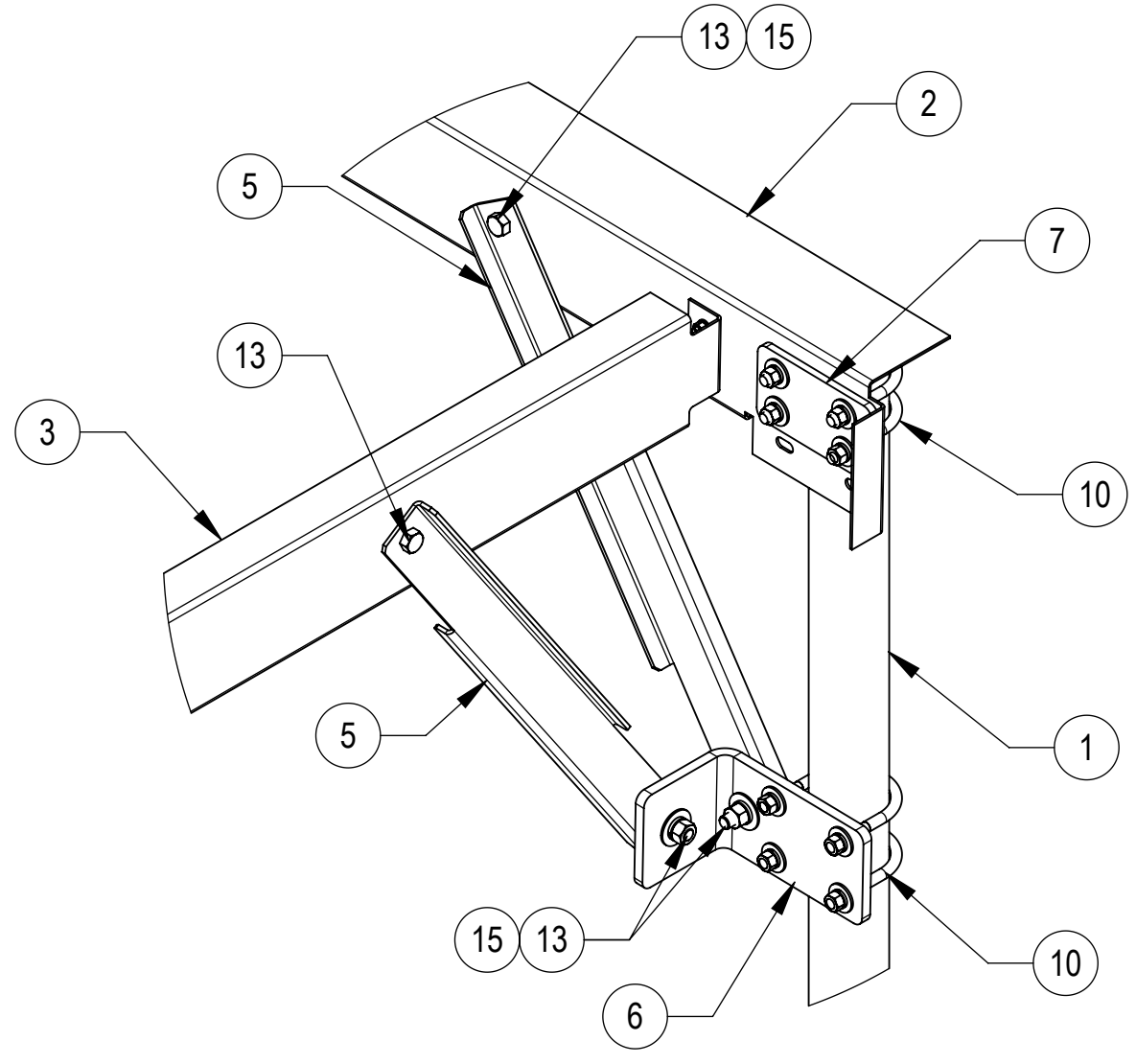
3

2

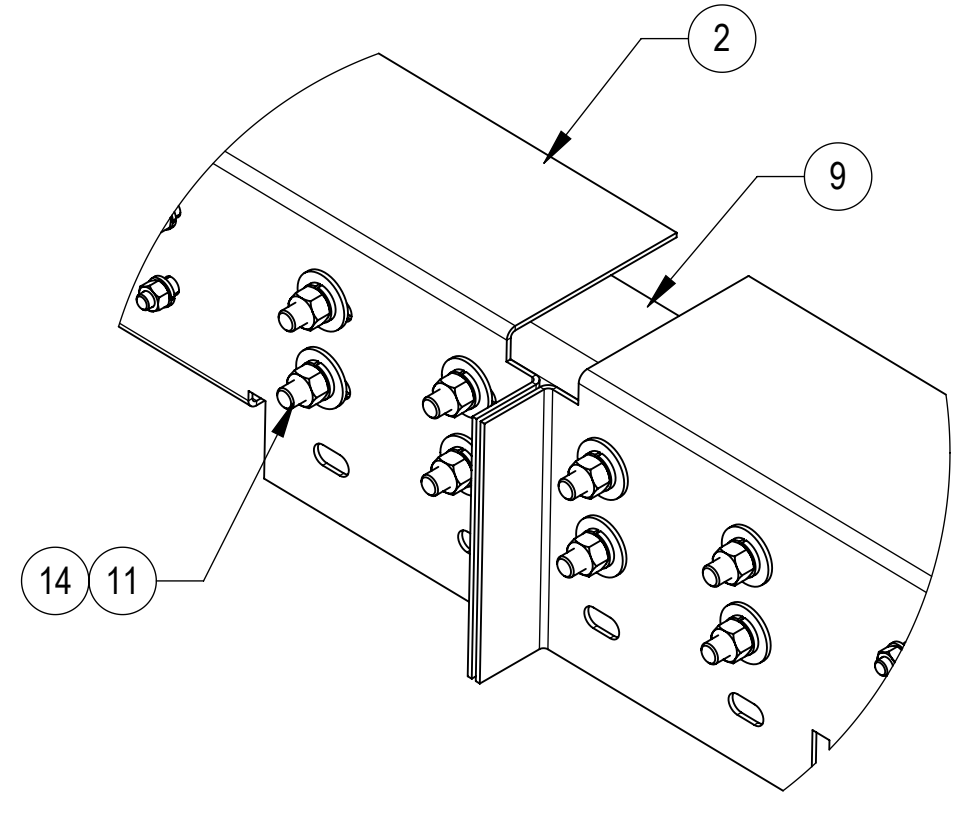
1

D

D



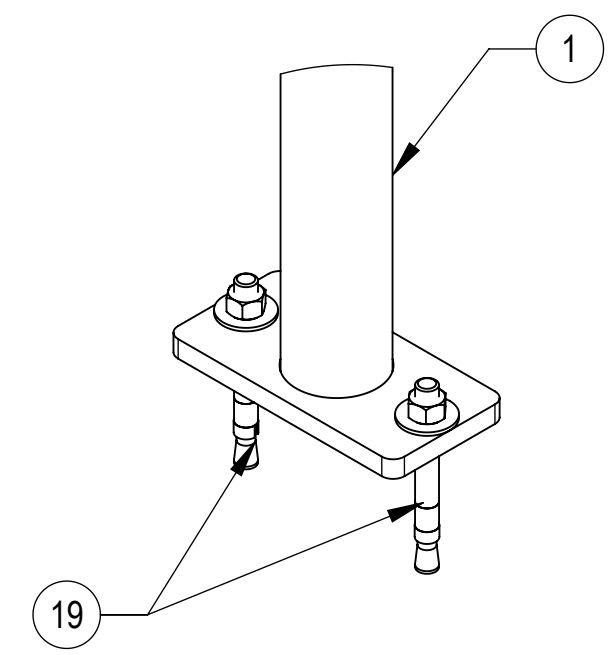
DETAIL B
SCALE 1 : 8



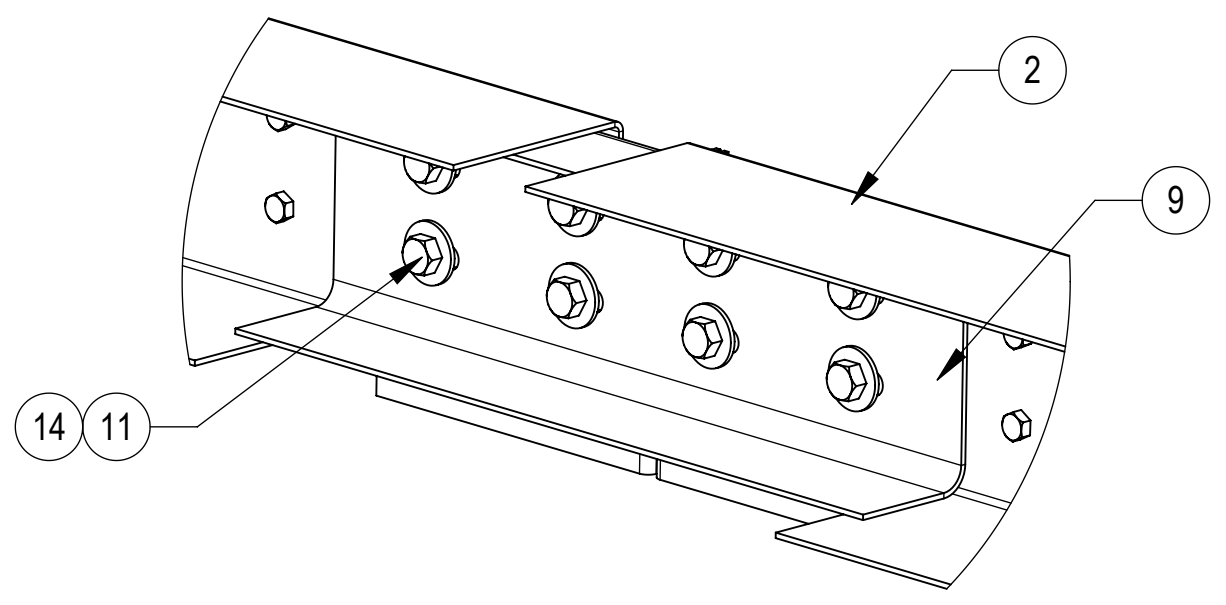
DETAIL D
SCALE 1 : 4

C

C



DETAIL C
SCALE 1 : 6



DETAIL D
BACK VIEW
SCALE 1 : 4

B

B

A

A

4

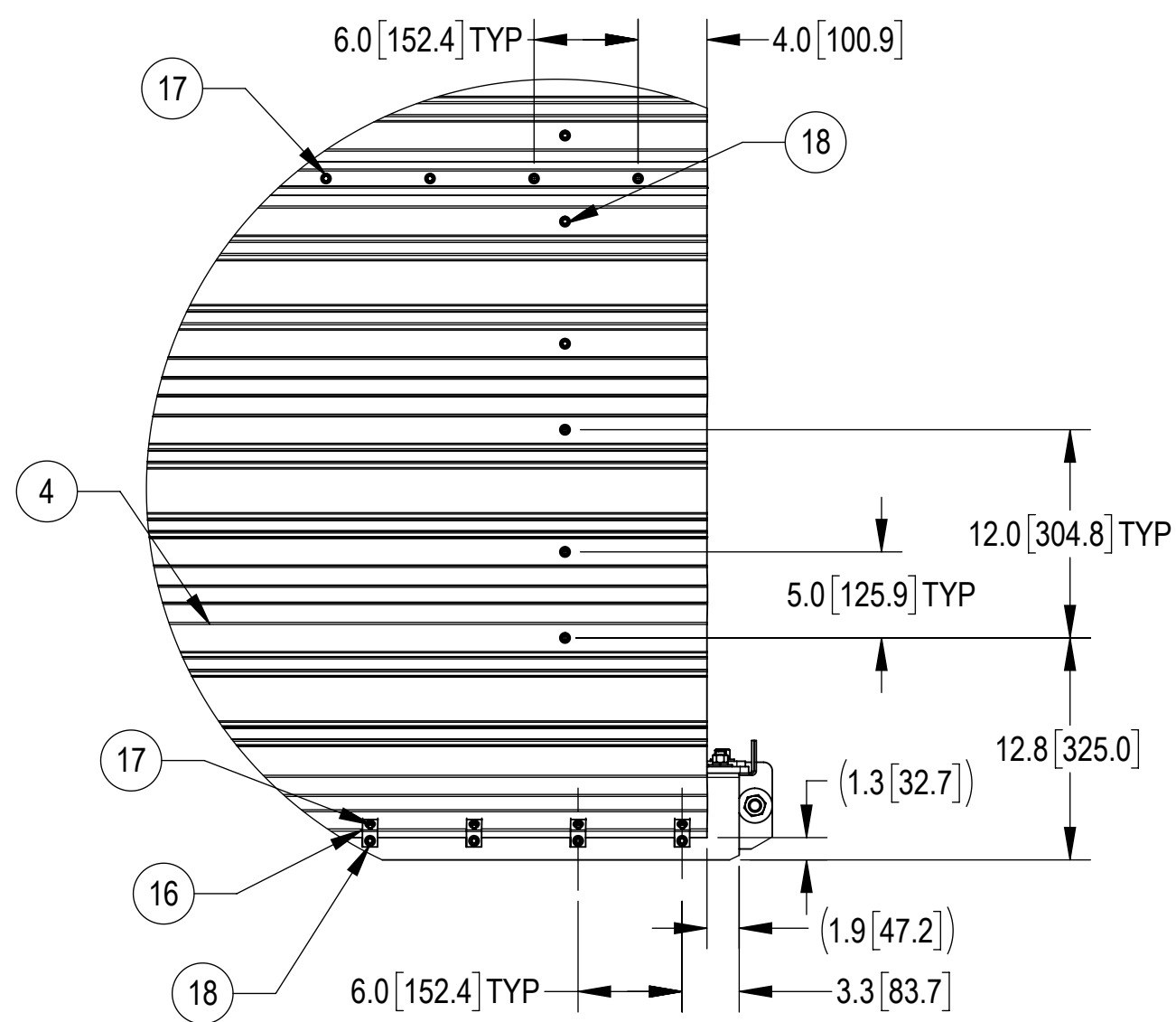
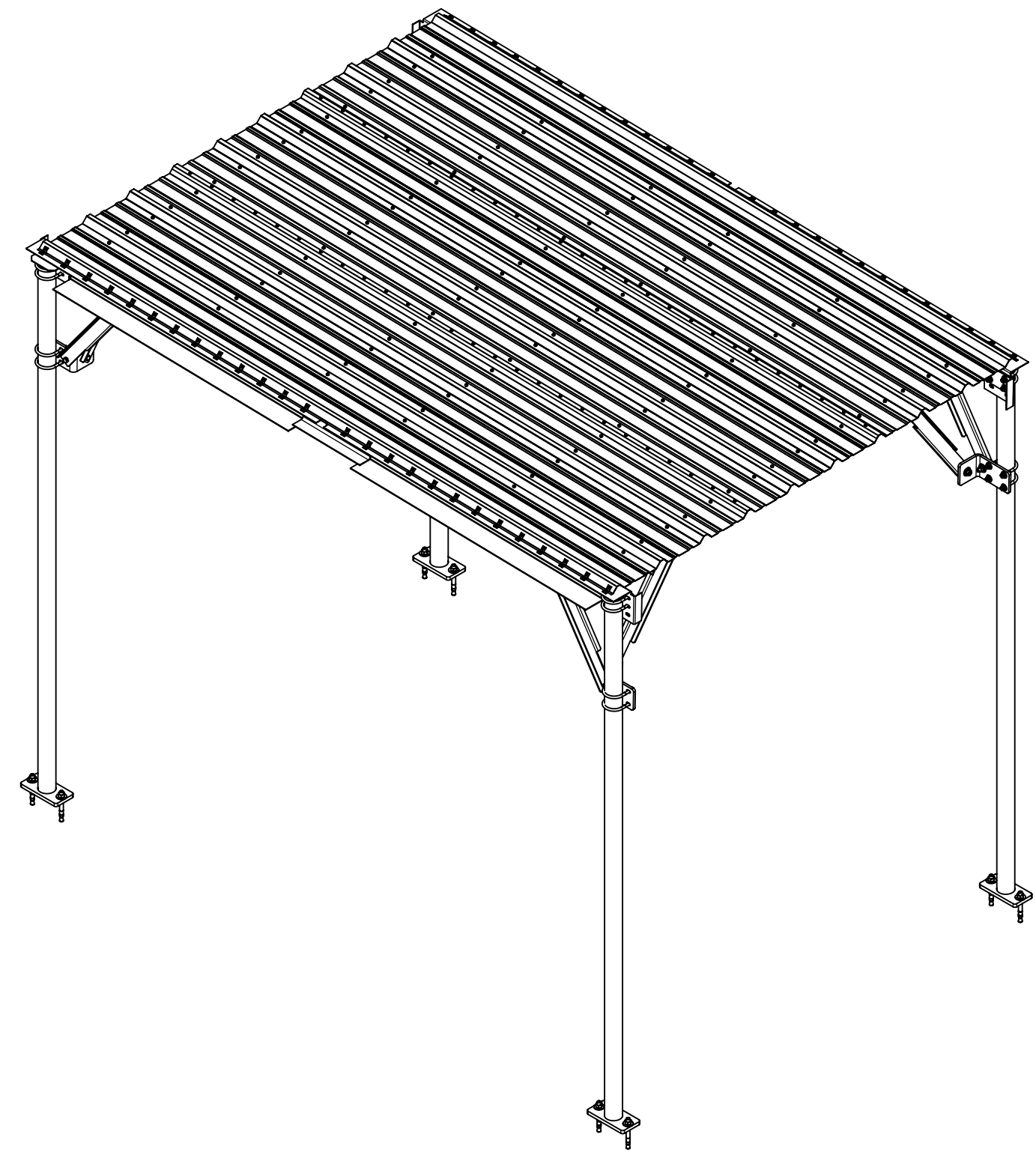
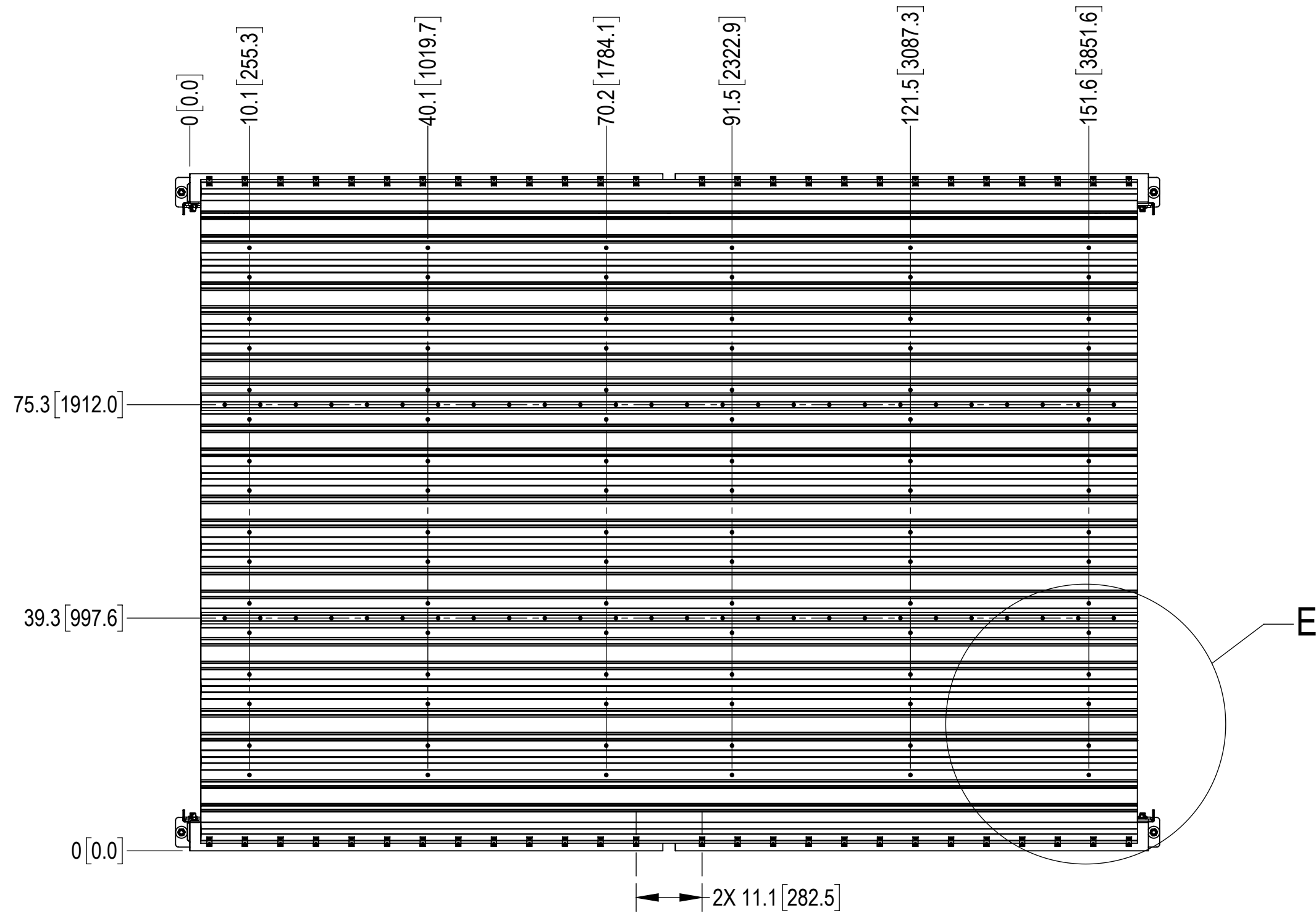
3

2

1

© 2024 CommScope, Inc. Confidential

COMMSCOPE, INC. OF NORTH CAROLINA				
TITLE 9'X13' RAIN CANOPY, 10'-6"-BASE SHOE				
SIZE C	SCALE 1:20	DOCUMENT NO. 860678964-0913-S		
		DRAWING		SHEET 4 OF 5
		VERSION 00	STATUS RW	



DETAIL E
 SCALE 1 : 10

COMMSCOPE, INC. OF NORTH CAROLINA				
TITLE 9'X13' RAIN CANOPY, 10'-6"-BASE SHOE				
SIZE C	SCALE 1:32	DOCUMENT NO. 860678964-0913-S		
DRAWING		VERSION	STATUS	REVISION
		00	RW	
				SHEET 5 OF 5