

4

3

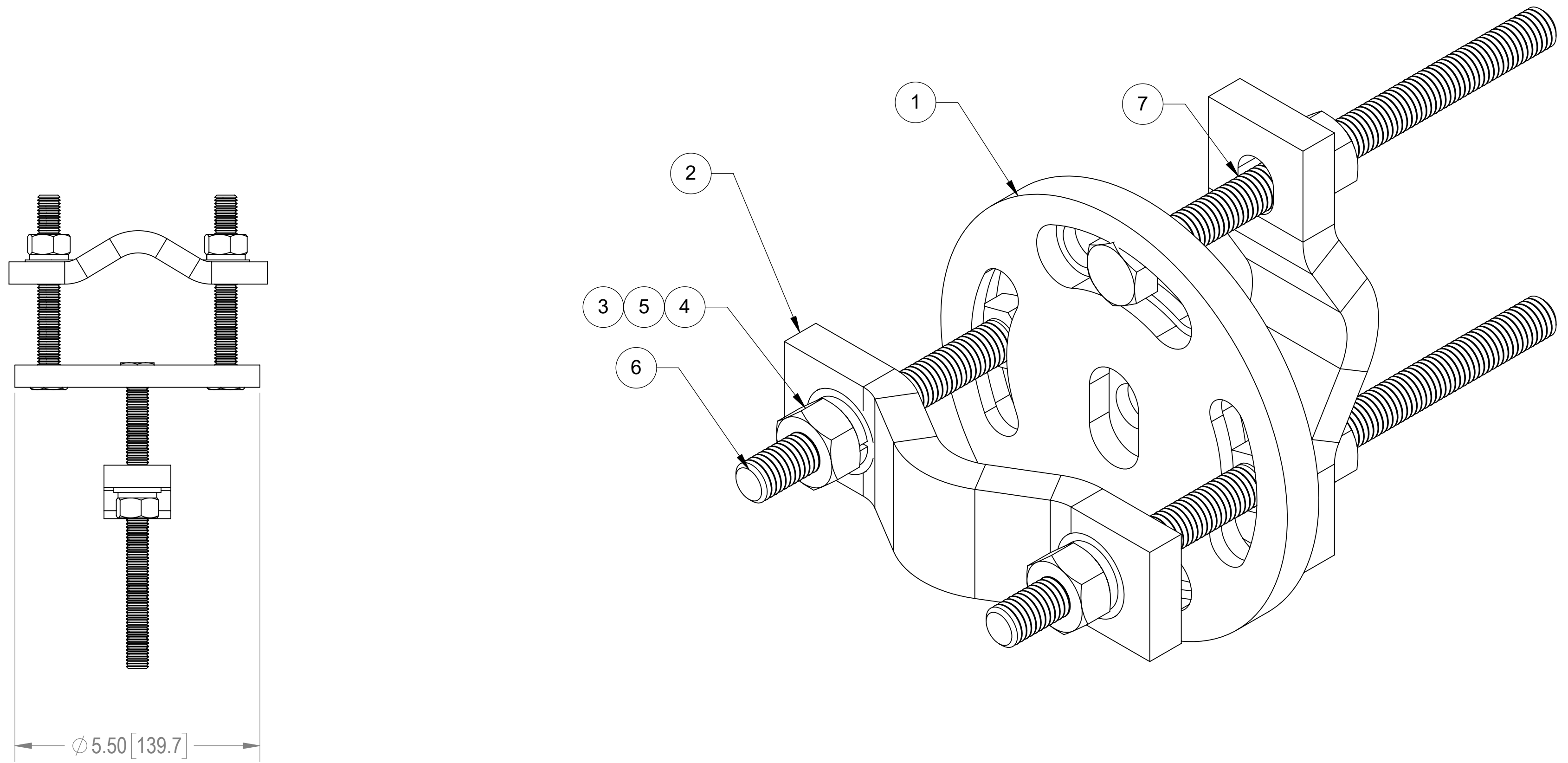
2

1

NOTES:

1.0 ALL METRIC DIMENSIONS ARE IN BRACKETS.

REVISIONS				
REV.	ECN	DESCRIPTION	BY	DATE
A	8000017345	INITIAL RELEASE	RDL	11/15/16



ITEM	PART NO.	DESCRIPTION	QTY.	WEIGHT	NOTE NO.
1	PCC4.01	PUCK CROSSOVER CLAMP, 4"	1	2.20 LBS	
2	SCP10	SMALL DISH CLAMP HALF	2	1.20 LBS	
3	GN-04A	1/2" GALV FLAT WASHER (A325)	4	0.02 LBS	
4	GN-04A	1/2" GALV HEX NUT (A194 2H)	4	0.07 LBS	
5	GWL-04	1/2" GALV LOCK WASHER	4	0.01 LBS	
6	GB04405FT	1/2-13 UNC X 4" GALV FULL THREAD HEX BOLT (GRADE 5)	2	0.24 LBS	
7	GB04645FT	1/2-13 UNC X 6 1/2" GALV FULL THREAD HEX BOLT (GRADE 5)	2	0.36 LBS	

**COMMSCOPE, INC. OF NORTH CAROLINA**

TOLERANCES		SAP MATERIAL MASTER	
0 PLACE X ± .25	2 PLACE .XX ± .06	<b>XP-R</b>	
1 PLACE X ± .12	ANGLES ± 2°		
FINISH		MATERIAL	
<b>ASTM A123</b>		<b>A36</b>	
UNLESS OTHERWISE SPECIFIED DIMENSIONS ARE IN MILLIMETERS INTERPRET PER ISO STANDARDS HANDBOOK TECHNICAL DRAWINGS VOLUMES 1 & 2, THIRD EDITION (2002)		TITLE	
CE	<b>RDL</b>	DATE	11/15/16
RW	HDAI	DATE	01/12/2022
AD	PX1012	DATE	01/12/2022
RE	HDAI	DATE	11/15/16
ECN	SMCRLDRWLD6	SCALE	
		<b>1:2</b>	
		DOCUMENT NO.	
		<b>MUK-MSK14</b>	
SIZE		DRAWING	
<b>C</b>		VERSION	STATUS
		02	RE
		REVISION	VERSION
		C	00
		STATUS	REVISION
		RE	A A
		SHEET	
		1 OF 1	

DENSITY		lbs/in <sup>3</sup>
MASS	6.20	lbs
VOLUME		in <sup>3</sup>
SURFACE AREA		in <sup>2</sup>
HEIGHT	13.1"	
LENGTH	5.5"	
WIDTH	5.8"	

4

3

2

1