

4

3

2

1

1.0 GENERAL NOTES

1.1 ALL METRIC DIMENSIONS ARE IN BRACKETS [X.XX]

2.0 DESIGN NOTES

3.0 MANUFACTURING/SPECIAL REQUIREMENTS

3.1 ITEM3-6 INCLUDED IN HARDWARE KIT WBTTH.

3.2 TIGHTEN ALL BOLTS SECURING FLAT PLATES BY THE TURN-OF-NUT METHOD. TIGHTEN ALL U-BOLTS USING TURN-OF-NUT METHOD WITH ATTENTION TO LEAVE EQUAL DISTANCE AND EQUAL FORCE ON EACH LEG OF THE U-BOLT.

4.0 TEST

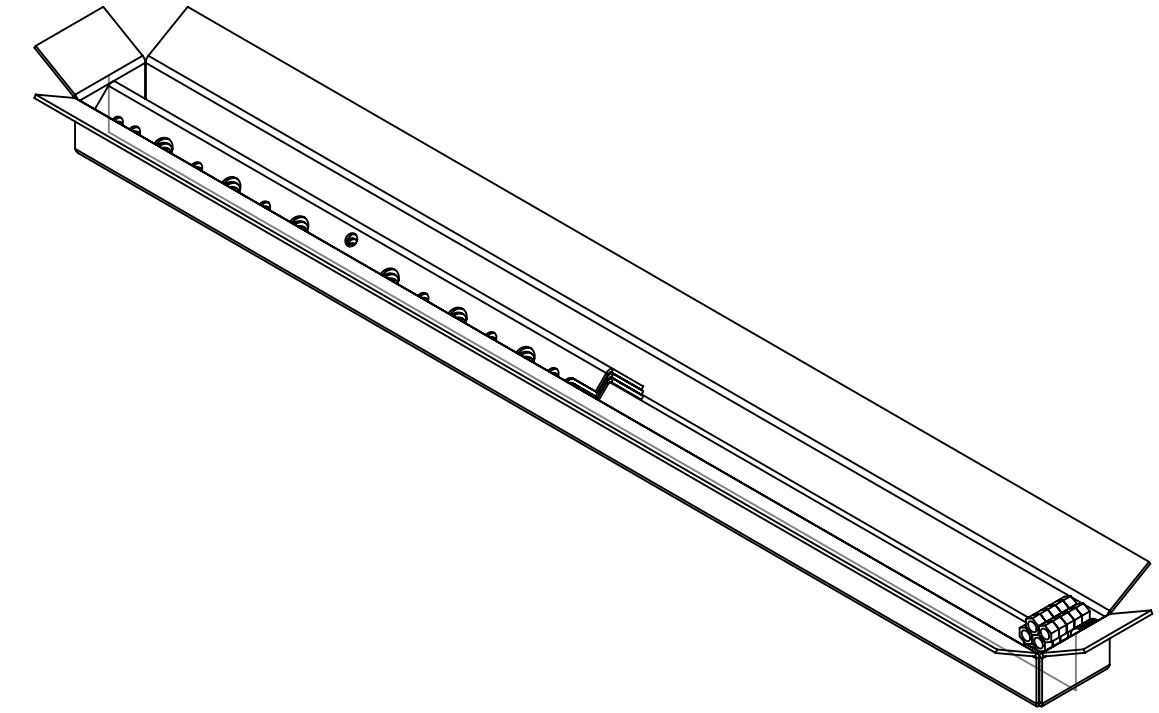
5.0 PACKAGING

5.1 PACKAGING SHALL MEET COMMScope REQUIREMENTS PER DOCUMENT IS-PL-3005.

5.2 PRINTED DOCUMENT TO BE PLACED INSIDE POLYBAG AND THEN IN SHIPPING CONTAINER.

5.3 EXTRA HARDWARE MAYBE SUPPLIED, BAGGED AND SHIPPED.

REVISIONS			
REV.	DESCRIPTION	DATE	APPROVED
A	INITIAL RELEASE	ACG 09FEB05	
B	ADD PACKING; CHG BOM	CEB 20APR16	8000013566
C	REMOVED ITEM 3 (WBTTH) FROM DRAWING BOM ON SHEET 2	YH1102 29AUG22	BCROSS 40155297CMO



COMPONENT PART NUMBERS PROVIDED FOR ASSEMBLY PURPOSES; INDIVIDUAL COMPONENTS MAY BE SHIPPED AS PARTS WITHIN AN INCLUDED KIT.

ITEM	PART NO.	DESCRIPTION	QTY.	WEIGHT	NOTE NO.
1	WBT24302	HORIZONTAL TRAPEZE SECTION	3	2.68 LBS	
2	MT-374	3/8" X 36" SS THREADED ROD	2	1.12 LBS	
3	WBTTH	HARDWARE KIT FOR 3 RUNG TRAPEZE KIT	1	0.00 LBS	
4	DOCUMENT RECORD	INSERT DRAWING WB-TT24 INTO BOX	1	-	
8000	BXEB	BOX, KRAFT, 42.5" X 3.00" X 2.00"	1	0.35 LBS	

DENSITY	0.12	lbs/in ³
MASS	11.51	lbs
VOLUME	99.57	in ³
SURFACE AREA		in ²
HEIGHT		
LENGTH		
WIDTH		

COMMScope, INC. OF NORTH CAROLINA												
TOLERANCES						SAP MATERIAL MASTER						
0 PLACE X[X] ± .25[6.3]			2 PLACE .XX[X] ± .03[0.8]			WB-TT24						
1 PLACE X[X] ± .06[1.5]			ANGLES ± 2°									
FINISH						MATERIAL						
UNLESS OTHERWISE SPECIFIED DIMENSIONS ARE IN INCHES INTERPRET PER ANSI Y 14.5M-1994	NAME	DATE	TITLE									
	CE ACG	09FEB05	TRAPEZE KIT, 24" WIDE, 3 RUNG									
	RW YH1102	08/29/2022										
	AD BCROSS	09/03/2022	SCALE		DOCUMENT NO.							
	RE YMENG	09/23/2022	1:6		WB-TT24							
ECN 40155297CMO			SIZE		MODEL			DRAWING			SHEET	
C			VERSION	STATUS	REVISION	VERSION	STATUS	REVISION	01	RE	C	1 OF 2

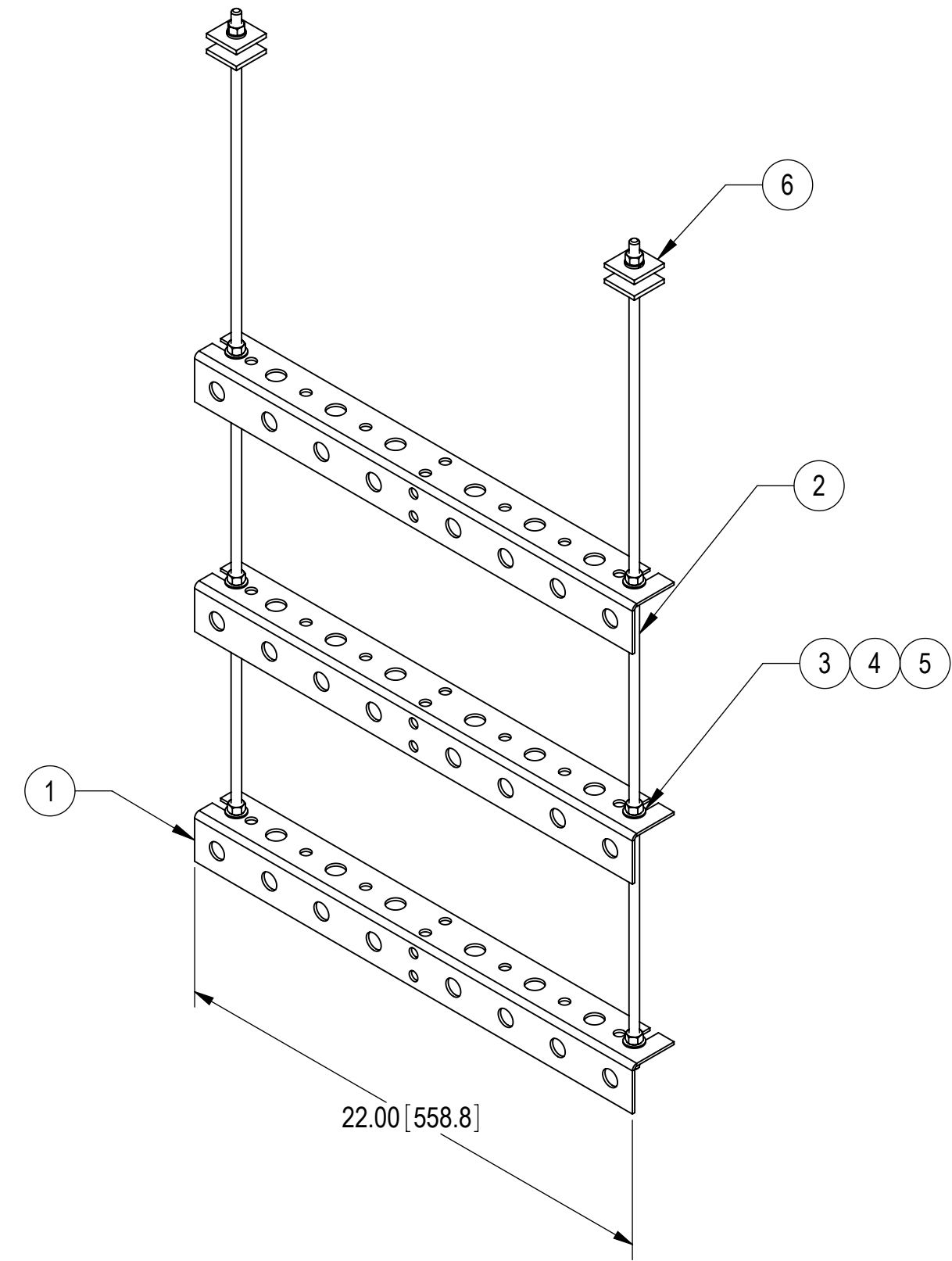
4

3

2

1

1.0 ALL METRIC DIMENSIONS ARE IN BRACKETS.



COMPONENT PART NUMBERS PROVIDED FOR ASSEMBLY PURPOSES;
INDIVIDUAL COMPONENTS MAY BE SHIPPED AS PARTS WITHIN AN INCLUDED KIT.

ITEM	PART NO.	DESCRIPTION	QTY.	WEIGHT	NOTE NO.
1	WBT24302	HORIZONTAL TRAPEZE SECTION	3	2.68 LBS	
2	MT-374	3/8" X 36" SS THREADED ROD	2	1.12 LBS	
3	SWF-03	3/8" SS FLAT WASHER	12	0.01 LBS	
4	SWL-03	3/8" SS LOCK WASHER	8	0.01 LBS	
5	SN-03	3/8" SS HEX NUT	16	0.02 LBS	
6	MT-387	SQUARE WASHER, 1-1/2" X 1-1/2" W/ 7/16" HOLE	4	0.11 LBS	

COMMSCOPE, INC. OF NORTH CAROLINA				
TITLE TRAPEZE KIT, 24" WIDE, 3 RUNG				
SIZE C	SCALE 1:12	DOCUMENT NO. WB-TT24		
DRAWING				SHEET
VERSION 01	STATUS RE	REVISION C	2 OF 2	

© 2022 CommScope, Inc. Confidential