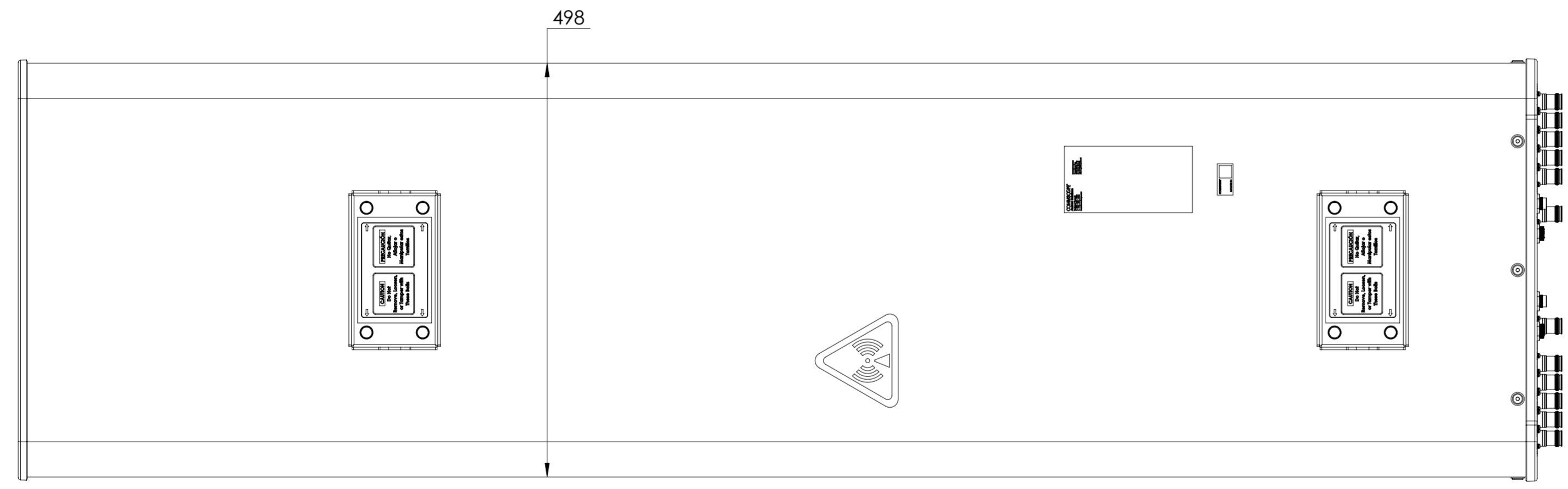
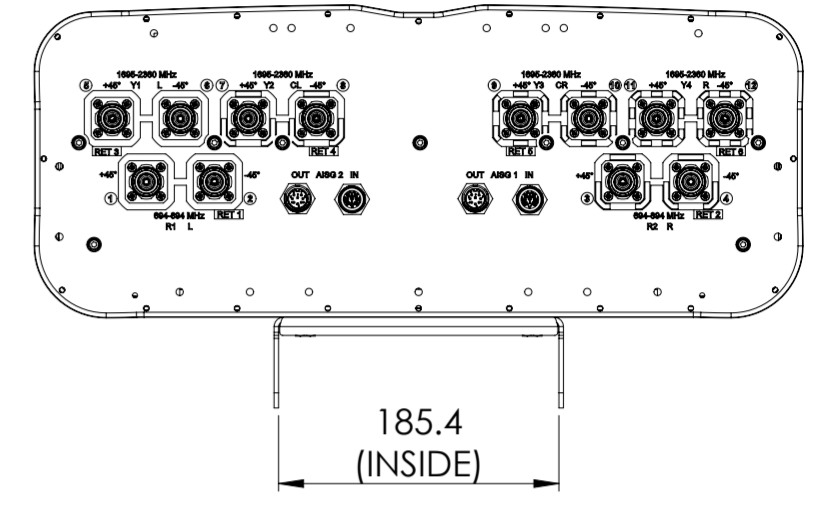
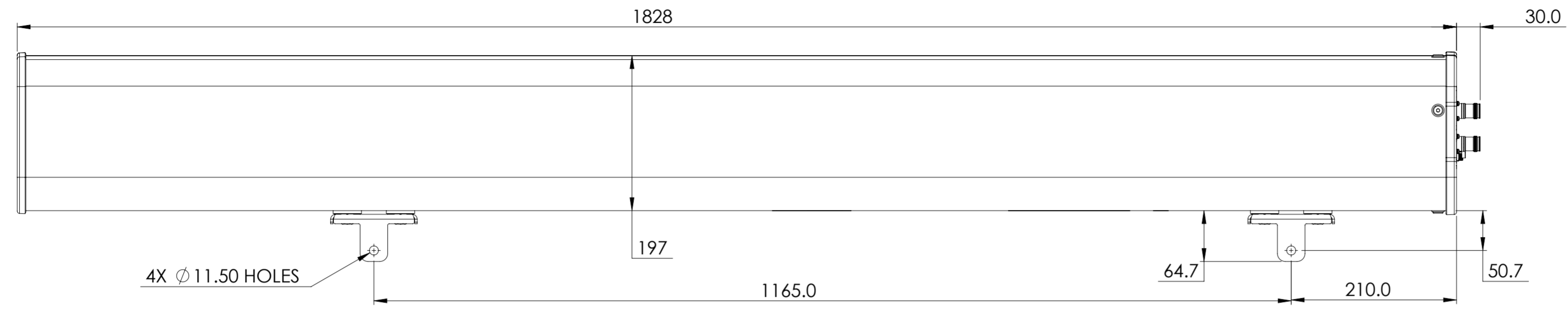


REVISIONS			
REV.	DESCRIPTION	DATE	APPROVED
A	ECR 8000038101: RELEASE TO PRODUCTION PER EAO 607146.	15MAY20 YWEI	LZL/LCL



NNH4-85B-R6

COMMSCOPE, INC. OF NORTH CAROLINA											
TOLERANCES						SAP MATERIAL MASTER					
0 PLACE X ±			2 PLACE .XX ±			1 PLACE .X ±			ANGLES ±		
FINISH						MATERIAL					
<small>UNLESS OTHERWISE SPECIFIED DIMENSIONS ARE IN MILLIMETERS INTERPRET PER ISO STANDARDS HANDBOOK TECHNICAL DRAWINGS VOLUMES 1 & 2, THIRD EDITION (2002)</small>	NAME		DATE		TITLE						
	CE	WY1013	04JAN20		PRODUCT DRAWING						
	RW	WY1013	05/14/2020								
	RV	ZL1025	05/15/2020								
	AD	WW1036	05/17/2020								
	RE	XIAOWANG	05/17/2020								
ECN 8000038101-O						SCALE	DOCUMENT NO.				
						1:5	NNH4-85B-R6-L				
DENSITY		g/mm ³		MASS		grams		VOLUME		mm ³	
SURFACE AREA		mm ²		HEIGHT		LENGTH		WIDTH			
SIZE			WORK AREA			MODEL			DRAWING		
A2			23			VERSION			STATUS		
						00			RE		
						REVISION			DRAWING		
						A			00		
						REVISION			STATUS		
						A			RE		
						SHEET			1 OF 1		